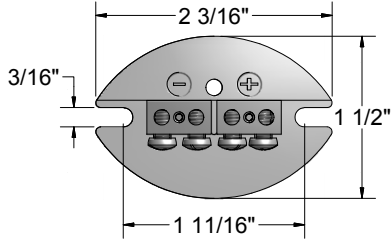
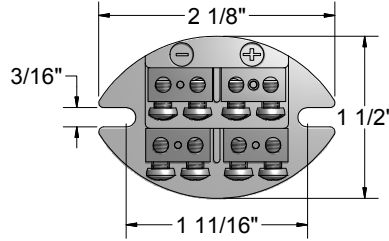


CERAMIC TERMINAL BLOCKS

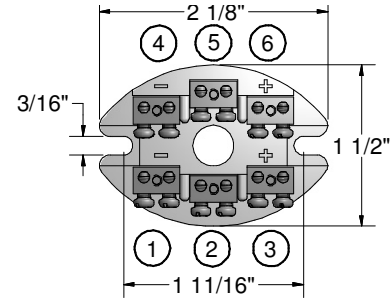
The terminal blocks, listed below, fit all Pyromation series 31, 34, 49, 63, 91 and 800 series connection heads. The terminal blocks are provided with a steatite ceramic base, brass terminal pieces, and stainless steel screws. These terminal blocks are not rated for high voltage use, but can be used in temperature sensor or low voltage Class 2 circuits. Series 341 and 342 terminal blocks accept up to an #8 gauge wire, and the series 343 accepts up to a #12 gauge wire.



Series 341



Series 342



Series 343

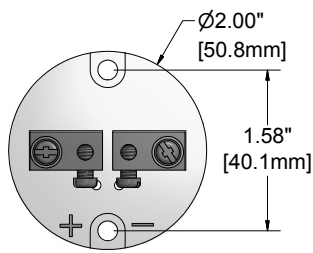
(See table for complete 343- Series)

Terminal Blocks

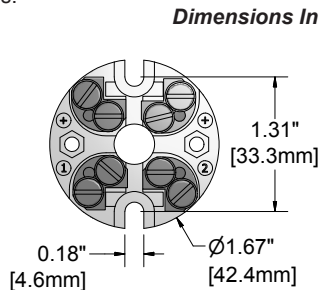
CODE	DESCRIPTION	CONDUCTOR SIZE	TERMINAL POSITION AS SUPPLIED
341	Single terminal block	Up to 8 AWG	N/A
342	Duplex terminal block	Up to 8 AWG	N/A
343-2	Triplex terminal block with 2 brass terminals	Up to 12 AWG	①-③
343-3	Triplex terminal block with 3 brass terminals	Up to 12 AWG	②-④-⑥
343-4	Triplex terminal block with 4 brass terminals	Up to 12 AWG	①-③-④-⑥
343-6	Triplex terminal block with 6 brass terminals	Up to 12 AWG	All Positions

DIN FORM B STYLE CERAMIC TERMINAL BLOCKS

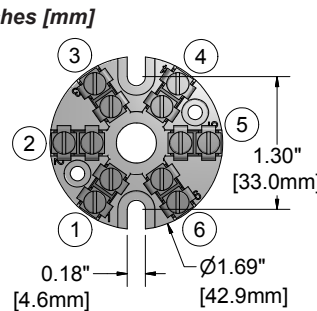
The DIN Style terminal blocks are 42 mm and 50 mm in diameter. The terminal blocks are supplied with a ceramic base. They can be provided in 2-, 3-, 4-, 6-, or 8-terminal configurations.



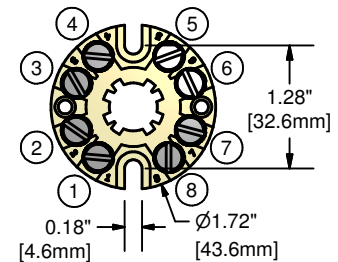
210412



210304



210336



210338

Terminal Blocks

(See table for complete 21033- Series)

CODE	DESCRIPTION	CONDUCTOR SIZE	TERMINAL POSITIONS
210412 ^[1]	2-Pole terminal block (8, 11, 14 AWG)	Up to 8 AWG	N/A
210304	4-Pole terminal block	Up to 16 AWG	N/A
210332	2-Pole terminal block	Up to 16 AWG	1-3
210333	3-Pole terminal block	Up to 16 AWG	1-3-5
210334	4-Pole terminal block	Up to 16 AWG	1-3-4-6
210336	6-Pole terminal block	Up to 16 AWG	1-2-3-4-5-6
210338	8-Pole terminal block	Up to 16 AWG	All positions

[1] Not available with 215807

