



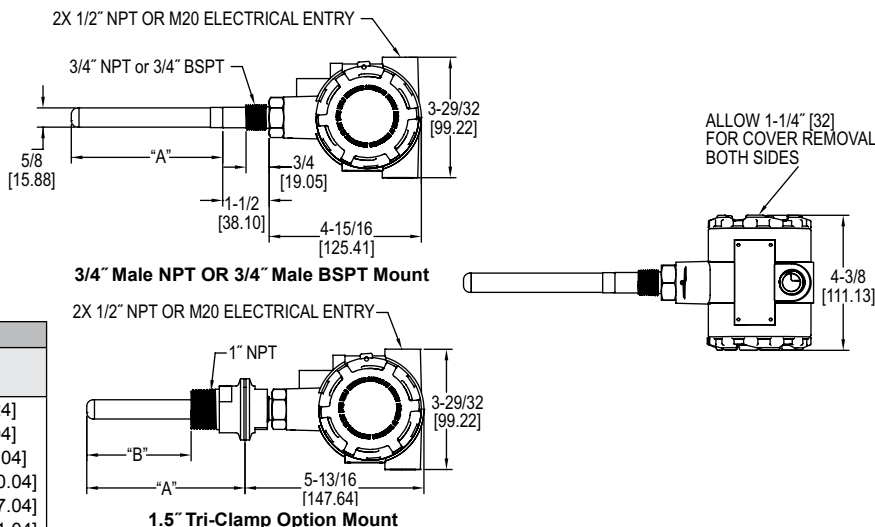
Series PMT2 Particulate Transmitter

Specifications - Installation and Operating Instructions



| THREADED MOUNT | | |
|----------------|----|----------|
| Probe Length | A | |
| | in | [mm] |
| 3" | 3 | [76.20] |
| 5" | 5 | [127.00] |
| 10" | 10 | [254.00] |
| 15" | 15 | [381.00] |
| 20" | 20 | [508.00] |
| 30" | 30 | [762.00] |
| 36" | 36 | [914.40] |

| 1.5" TRI-CLAMP MOUNT | | | |
|----------------------|--------|----------|-------------------|
| Probe Length | A | B | |
| | in | in | [mm] |
| 3" | 3-1/2 | 1-25/32 | [88.90] [45.24] |
| 5" | 5-1/2 | 3-25/32 | [139.70] [96.04] |
| 10" | 10-1/2 | 8-25/32 | [266.70] [223.04] |
| 15" | 15-1/2 | 13-25/32 | [393.70] [350.04] |
| 20" | 20-1/2 | 18-25/32 | [520.70] [477.04] |
| 30" | 30-1/2 | 28-25/32 | [744.70] [731.04] |
| 36" | 36-1/2 | 34-25/32 | [927.10] [883.44] |



The **SERIES PMT2** Particulate Transmitter is designed to measure particulate emission levels from dust collector discharge. Using DC coupled electrostatic induction sensing technology, the transmitter monitors a pA current that is generated as particulate passes near the probe; a 4 to 20 mA signal will vary based on the particulate level. The PMT2 offers 6 sensitivity ranges allowing the user to choose the range that will best fit the application. The range and test selector switch can also be set to output a 4 mA or 20 mA signal to assist with set up or trouble shooting. Averaging time setting can be used to dampen the signal if desired.

FEATURES/BENEFITS

- Simple 2-wire installation for PLC and control panels
- Non-stick PTFE coated probe to prevent false readings from moist and conductive dusts, condensate, and dust buildup
- Remote zero calibration helps to decrease maintenance time

| MODEL CHART | | | | | |
|--------------------|------|-----|----|-----|---|
| Example | PMT2 | -05 | -A | -U2 | PMT2-05-A-U2 |
| Series | PMT2 | | | | Particulate transmitter |
| Probe Length | | 03 | | | 3" probe length |
| | | 05 | | | 5" probe length |
| | | 10 | | | 10" probe length |
| | | 15 | | | 15" probe length |
| | | 20 | | | 20" probe length |
| | | 30 | | | 30" probe length |
| | | 36 | | | 36" probe length |
| Process Connection | | | A | | 3/4" male NPT |
| | | | B | | 1.5" tri-clamp kit with 1" male NPT |
| | | | C | | 3/4" male BSPT |
| Enclosure Rating | | | | A2 | ATEX and IECEx (IS) |
| | | | | U2 | UL (IS)* |
| Options | | | | | ST Stainless steel tag |
| | | | | | M2 Female M20 electrical entries (female 1/2" NPT standard) |

*Options that do not have ATEX or IECEx.
 Attention: Units without the A2 suffix are not Directive 2014/34/EC (ATEX) compliant. These Units are not intended for use in potentially hazardous atmospheres in the EU. These units may be CE marked for other Directives of the EU.

| SPECIFICATIONS |
|---|
| Service: Air and compatible gases, any type of particulate conductive or non-conductive. |
| Wetted Materials: 316L SS, silicone, and PTFE. |
| Enclosure: Powder coated aluminum. |
| Accuracy: ±5% of reading. |
| Particulate Size: 0.3 microns and higher. |
| Detection Range: 5 to 5000 pA (6 selectable range options). |
| Temperature Limits: Ambient: -40 to 145°F (-40 to 63°C); Process: -40 to 248°F (-40 to 120°C). |
| Pressure Limit: 30 psi (2 bar). |
| Output Signal: 4 to 20 mA. |
| Power Requirements: 12 to 28 VDC (---). |
| Electrical Connection: Two 1/2" female NPT electrical entries or two M20 electrical entries (A2 suffix only). |
| Terminal Block: Removable (16 to 20 AWG wire). |
| Process Connection: See model chart. BSPT process connections are not UL listed. |
| Probe Lengths: See model chart. |
| Enclosure Rating: UL Type 4 (IP66) ATEX/IECEx IP65. |
| Mounting Orientation: Any. |
| Averaging Time: 1 to 360 s (10 selectable options). |
| Weight: Varies with length of probe and type of mount. |
| Agency Approvals: CE, cULus; ATEX Compliant: C 0518 @ II 1 G Ex ia IIB T4 Ga (-40°C ≤ Tamb ≤ 63°C) (-40°C ≤ T _{Process} ≤ 120°C) / II 1 D Ex ia IIIC T120°C Da (-40°C ≤ Tamb ≤ 63°C) (-40°C ≤ T _{Process} ≤ 120°C). Type Certificate No.: DEMKO 16ATEX1768 X. ATEX Standards: EN 60079-0:2012/A11:2013; EN 60079-11:2012. IECEx Certified: Ex ia IIB T4 Ga (-40°C ≤ Tamb ≤ 63°C) (-40°C ≤ T _{Process} ≤ 120°C) / Ex ia IIIC T120°C Da (-40°C ≤ Tamb ≤ 63°C) (-40°C ≤ T _{Process} ≤ 120°C). Certificate of Conformity: IECEx UL 16.013X. IECEx Standards: IEC 60079-0: 2011; IEC 60079-11: 2011. UL Listed Intrinsically Safe for Class I, Groups C and D; Class II, Groups E, F and G; Class III; Class I Zone 0 AEx ia IIB T4 Ga; Class I Zone 0 Ex ia IIB T4 Ga. |

OPERATING PRINCIPLE

Technology

The PMT2 utilizes a highly reliable DC coupled electrostatic induction sensing technology. The sensor probe is mounted in an airflow stream such as a pipe, duct or stack. The inductive effect takes place when particulate passes near the probe transferring a charge from the particulate to the probe. A microprocessor filters and processes the signal into a output that is linear to the mass concentration of particulate.

The PTFE coated probe ensures reliable operation with all types of particulate including moist powders and highly conductive dusts. The PTFE coated probe eliminates the need for an air purge and keeps maintenance to a minimum.

Particulate Monitoring

The PMT2 is specifically designed to continuously monitor the particulate levels in air flow from stacks or other emission points being passed through a filter within an air filtration system. The transmitter should be installed in the exhaust ductwork and can be used in conjunction with various types of bag, ceramic, cartridge or cyclone filters. When the PMT2 is first installed a baseline reading must be measured and noted. This baseline reading is application dependent and should be measured independently for each installation. From this baseline the operator will monitor output signal from the PMT2. The increase in mA output indicates a rising level of particulate in the air stream which indicates that filters are either wearing out or broken.

The PMT2 is designed to give a proportional output based on the particulate levels in a duct or pipe, it is not designed to output a signal based on the particulate volumetric flow. Different types of particulate carry different charges, meaning that two particulates flowing at the same volumetric flow rate could have different output response. The PMT2 is designed to find a baseline under ideal operating conditions and allow an operator to watch the output signal for increases that would signify the bags or filters are starting to wear or break. The six sensitivity ranges allow the PMT2 to monitor particulates with low charge properties or high charge properties. As a reference, Table 1 lists particulate charge properties and the suggested range.

| | Particulate | Suggested Range | |
|-----------------|---------------|---------------------|--------------|
| Positive | Human Hands | 5 to 5000 pA | |
| | Asbestos | | |
| | Rabbit Fur | | |
| | Neutral | Acetate | 5 to 1000 pA |
| | | Glass | |
| | | Mica | |
| | | Human Hair | |
| | Negative | Nylon | 5 to 500 pA |
| | | Wood | |
| | | Fur | |
| Lead | | | |
| Silk | | | |
| Aluminum | | 5 to 100 pA | |
| Paper | | | |
| Cotton | | | |
| Steel | | | |
| | Wood | 5 to 500 pA | |
| | Mylar™ | | |
| | Nickel/Copper | | |
| | Silver/Brass | | |
| | Gold/Platinum | | |
| | Sulfur | | |
| | | Acetate Rayon | 5 to 1000 pA |
| | | Polyester | |
| | | Styrene (Styrofoam) | |
| | | Acrylic | |
| | Saran™ | 5 to 5000 pA | |
| | Polyurethane | | |
| | Polyethylene | | |
| | Polypropylene | | |
| | Vinyl (PVC) | | |
| | Silicon | | |
| | PTFE | | |
| Silicone Rubber | | | |

Table 1: Suggested Ranges

INSTALLATION

Unpacking

Remove the PMT2 from the shipping carton and inspect for damage. If damage is found, notify the carrier immediately.

Location

The following factors should be considered when determining the installation location for the PMT2:

- Make sure the transmitter is rated for the area classification it will be mounted in.
- Mount the transmitter in a location that will not exceed the temperature and pressure ratings listed in the specifications. The process pressure should not exceed 30 psi (2 bar).
- Make sure the 4 to 20 mA signal wires are not sharing the same conduit with high voltage power wires.
- Make sure the location the transmitter is mounted in meets the NEMA or IP rating for the enclosure.
- Locate the transmitter in a location where it can be accessed in case service is required.

The PMT2 should be mounted in a grounded metal stack, pipe or duct. It should not be mounted in fiberglass or plastic stacks, pipes or ducts. The sensing probe should reach 1/2 to 2/3 the way across the stack, pipe or duct to ensure accurate readings. For the most stable and accurate readings it is recommended to mount the PMT2 in a location where the air flow is as laminar as possible. Avoid mounting the transmitter close to blowers and dampers that cause turbulence. It is ideal to mount the PMT2 in an area with two upstream duct diameters and one down stream duct diameter that are free of turbulent causing objects. The sensing probe is coated in a non-stick PTFE preventing material from coating the probe reducing the need for cleaning or an air purge.

WIRING

- NOTICE**
- Always install or service this device with the power off and where required install a disconnect lockout
 - Use 16 to 20 AWG copper wire only for line and load connections. Installation must be made in accordance with local codes and regulations such as the National Electric Code
 - Degree of protection TYPE 4 (IP66) is maintained when suitable glands/plugs are used in conjunction with UL Listed models

- WARNING HAZARDOUS LOCATIONS**
To prevent ignition of hazardous locations the following cautions should be taken:
- Keep device covers tightly closed in operation
 - De-energize supply circuit before opening device covers
 - Replace device covers before energizing the electrical circuits
 - Device is not field repairable and should be returned to Dwyer Instruments if repair is needed

- WARNING INTRINSIC SAFETY SPECIFIC CONDITIONS OF USE**
To maintain Intrinsic Safety the following cautions should be taken:
- 4-20 mA signal and remote zero must be treated as separate circuits
 - Enclosure parts are constructed of aluminum. Enclosure must be protected from ignition hazard due to impact or friction
 - All openings to enclosure must be sealed using suitable glands and/or plug maintaining a minimum IP rating of IP66 for UL Listed models and IP65 for ATEX/IECEx compliant models
 - Substitution of parts may impair Intrinsic Safety.

CONTROL DRAWING UL LISTED INTRINSIC SAFETY (SUFFIX U2):
 UL Listed Intrinsically Safe for use in Class I Div. 1 Groups C and D; Class II Div. 1 Groups E, F and G; Class III Div. 1; Class I Zone 0 AEx ia IIB T4 Ga; Class I Zone 0 Ex ia IIB T4 Ga; T4@63°C when installed in accordance with Control Drawing 001744-48 on page 6 of this document.

ATEX COMPLIANT (SUFFIX A2)
 II 1 G Ex ia IIB T4 Ga (-40°C ≤ Tamb ≤ 63°C) (-40°C ≤ T_{Process} ≤ 120°C) / II 1 D Ex ia IIIC T120°C Da (-40°C ≤ Tamb ≤ 63°C) (-40°C ≤ T_{Process} ≤ 120°C) when installed in accordance with Control Drawing 001744-81 on page 7 of this document.

IECEx COMPLIANT (SUFFIX A2)
 Ex ia IIB T4 Ga (-40°C ≤ Tamb ≤ 63°C) (-40°C ≤ T_{Process} ≤ 120°C) / Ex ia IIIC T120°C Da (-40°C ≤ Tamb ≤ 63°C) (-40°C ≤ T_{Process} ≤ 120°C) when installed in accordance with Control Drawing 001744-81 on page 7 of this document.

INTRINSIC SAFETY INPUT PARAMETERS:
 4-20 mA Signal, V_{max} (Ui) = 28 V; I_{max} (Ii) = 93 mA; Ci = .022 µF; Li = 0.373 mH; P_{max} (Pi) = 651 mW
 Remote Zero, V_{max} (Ui) = 28 V; I_{max} (Ii) = 93 mA; Ci = Negligible; Li = 0 mH; P_{max} (Pi) = 651 mW

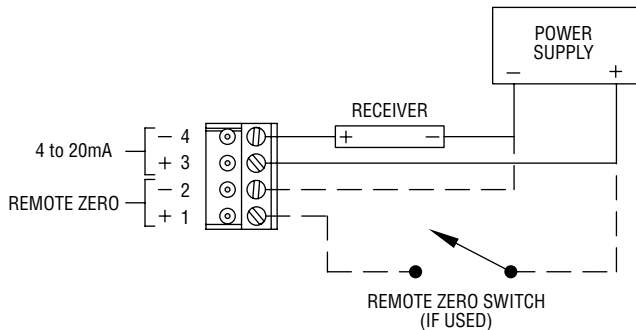


Figure 1: General Installation Wiring (Non-IS)

POWER SUPPLY REQUIREMENTS

The maximum DC power supply is 28 VDC. The minimum required DC power supply is based upon the following:

1. Minimum DC voltage requirement of the Model PMT2.
2. Total load resistance.
3. Total leadwire resistance.
4. Zener barrier voltage drop (Model PMT2-XX-X-X2 only).

The formula for calculating the DC Power Supply is:
 VDC = VPMT2 + VLOAD + VLEADWIRE + VBARRIER

Where VPMT2 = 9.5 V
 VLOAD = Total load resistance X 20 mA
 VLEADWIRE = Total leadwire resistance X 20 mA
 VBARRIER = 8.1 V (Typical zener barrier voltage drop for this application)

Example 1: Calculate minimum DC power supply for intrinsically safe models

- Step 1 VPMT2 = 9.5 V
- Step 2 Calculate VLOAD. Using the industry standard 250 Ω conversion resistor, VLOAD = 250 X 20 mA = 5 V.
- Step 3 Calculate VLEADWIRE. For this example assume a leadwire resistance of 10 Ω, VLEADWIRE = 10 X 20 mA = 0.2 V
- Step 4 VBARRIER = 8.1 V
- Step 5 VDC = VPMT2 + VLOAD + VLEADWIRE + VBARRIER = 9.5 + 5 + 0.2 + 8.1 = 22.8 V

CONTROLS

- WARNING LIVE MAINTENANCE PROCEDURE**
 Live maintenance of Zero, Averaging Time, Range and Test controls cannot be performed when a flammable or combustible atmosphere is present.

Zero Switch (see Figure 2)
 Press and hold the switch for 3 seconds and the PMT2 will digitally re-zero. It is recommended to re-zero after a filter failure or filter changes. Re-zeroing should only be done when there is no air flow in the duct.

Averaging Time Selection Switch
 The PMT2 will average the output for the selected amount of time. This will dampen output spikes caused during normal filter cleaning cycles.

Range and Test Selection Switch
 There are 6 sensitivity ranges that can be selected based on the material the PMT2 will be sensing (see Table 1). There is also an option to output a 4 mA or 20 mA signal, these options can assist in the installation of the transmitter or trouble shooting.

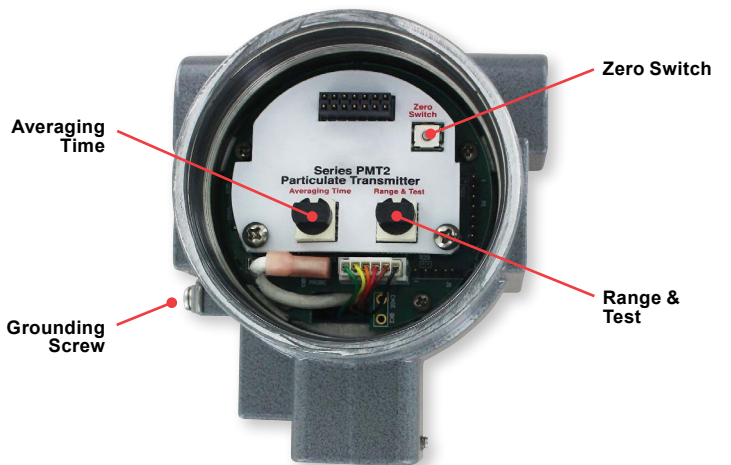


Figure 2

SET UP

Mounting

Make sure the PMT2 is securely mounted to the stack, pipe or duct to prevent vibration during operation. Make sure the transmitter is grounded properly.

Control Signal Set Up

Check the power supply wiring to make sure the polarity is correct before powering the PMT2. Turn the power on to the transmitter and turn the Range and Test selector switch to 4 mA (position 2). The PMT should output 4 mA, check the output with a multi-meter or at the device (PLC, Display, etc.) receiving the output signal. Once it is verified the 4 mA signal is being received, switch the Range and Test selector switch to 20 mA (position 1) and repeat the process. If the output is 0 mA, make sure the power supply is on and check for loose wires.

Range and Test Selection

When selecting one of the 6 available ranges, the baseline and maximum peak signals that take place during filter cleaning must be taken into account. The selected ranges should have enough resolution to monitor the baseline and capture the maximum peaks during a cleaning cycle. The four linear ranges output 4 mA at 5 pA and 20 mA at maximum range. The two logarithmic ranges have finer resolution at the low end of the ranges and less at the high end.

| Switch Position | Range | Output |
|-----------------|------------------|---|
| 1 | Test | 20 mA |
| 2 | Test | 4 mA |
| 3 | 5 to 100 pA | 5 pA = 4 mA 25 pA = 8 mA 50 pA = 12 mA 75 pA = 16 mA 100 pA = 20 mA |
| 4 | 5 to 500 pA | 5 pA = 4 mA 125 pA = 8 mA 250 pA = 12 mA 375 pA = 16 mA 500 pA = 20 mA |
| 5 | 5 to 1000 pA | 5 pA = 4 mA 250 pA = 8 mA 500 pA = 12 mA 750 pA = 16 mA 1000 pA = 20 mA |
| 6 | 5 to 5000 pA | 5 pA = 4 mA 1250 pA = 8 mA 250 pA = 12 mA 3750 pA = 16 mA 5000 pA = 20 mA |
| 7 | Log 5 to 500 pA | 5 pA = 4 mA 16 pA = 8 mA 50 pA = 12 mA 158 pA = 16 mA 500 pA = 20 mA |
| 8 | Log 5 to 5000 pA | 5 pA = 4 mA 28 pA = 8 mA 158 pA = 12 mA 890 pA = 16 mA 5000 pA = 20 mA |

Note: Position 9 and 0 are unused.

Table 2: Range and Test Switch

LOGARITHMIC RANGE

The logarithmic ranges offer a prolonged low-end of the scale while the high-end of the range is compressed. This offers better resolution for the baseline monitoring and still allows the operator to see the particulate spikes during cleaning cycles. Logarithmic ranges are recommended for filter bags since they have a greater tendency for particulate spikes during cleaning cycles.

LOGARITHMIC RANGE EQUATIONS

$$pA = 10 \left(\frac{(M-4)}{16} \times R + 0.699 \right)$$

pA = Measured (pA) Picoamps
 M = Measured (mA) Milliamps from the PMT2
 R = 2 (for Logarithmic Range 5 to 500 pA)
 R = 3 (for Logarithmic Range 5 to 5000 pA)

Example 1: Logarithmic Range 5 to 500 pA with current output of 12 mA:

$$pA = 10 \left(\frac{(12-4)}{16} \times 2 + 0.699 \right)$$

pA = 50

Example 2: Logarithmic Range 5 to 5000 pA with current output of 14 mA:

$$pA = 10 \left(\frac{(14-4)}{16} \times 3 + 0.699 \right)$$

pA = 375

SETTING EMISSION LEVEL ALARMS

The PMT2 will provide a 4 to 20 mA signal based on the range selected at set up. Alarms can be programmed in the PLC or control system based on the 4 to 20 mA signal from the particulate transmitter.

It is suggested to set two alarm set points. One alarm set point to monitor the emission spikes and the second alarm to detect an increase in the baseline.

The alarm monitoring the emission spikes should be set to identify changes in the spikes caused by the cleaning cycles. As filters become worn, the spike's height and duration will increase. The emission spike frequency will also increase because the filters will require more frequent cleaning as they wear out. If there is a continuous output above the emission spike alarm, it is more than likely a filter has torn and should be changed right away.

The baseline alarm should detect an increase in the baseline reading. The type of dust collector and facility regulations will dictate where the baseline alarm has to be set. Typically the baseline alarm should be set 4 to 5 times over the initial baseline reading measurement when filters are first installed. So, if the baseline is 10 pA the base line alarm should be set between 40 pA and 50 pA. It is recommended to set a time delay in the PLC or control panel alarm to prevent false alarms during cleaning cycles. When the output signal from the PMT2 is continuously above baseline alarm it is time to replace the filters. If the emission spikes have increased yet the baseline remains unchanged, it's an early indication that the filters are starting to wear out and will need to be changed soon.

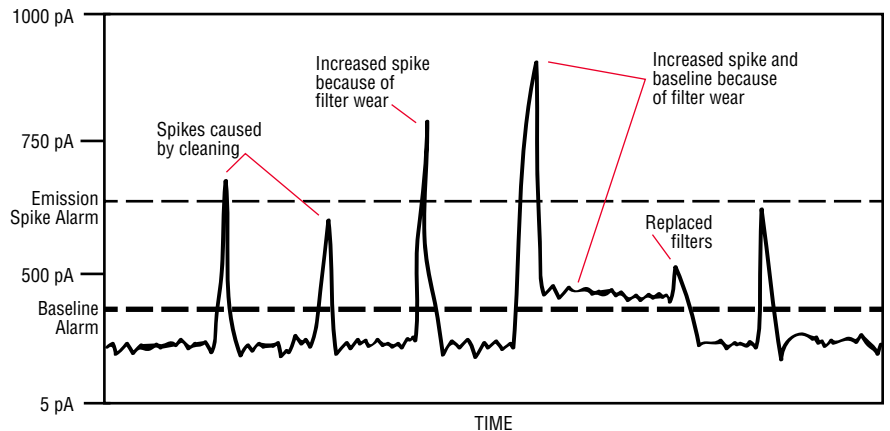


Figure 3: Typical Filter Emissions

AVERAGING SELECTION

The PMT2 offers a digital averaging function because of the irregular flow of particulates and the spikes during cleaning cycles. There are ten options for averaging ranging from 1 to 360 seconds. The digital averaging takes a running average of the readings for the selected amount of time. This will dampen output spikes from particulate fluctuations that could trip alarm settings. It is important to select an averaging setting that will allow the operator to see the cleaning cycles. It is recommended to monitor the baseline trend and peak to peak trend between cleaning cycles.

ZERO CALIBRATION

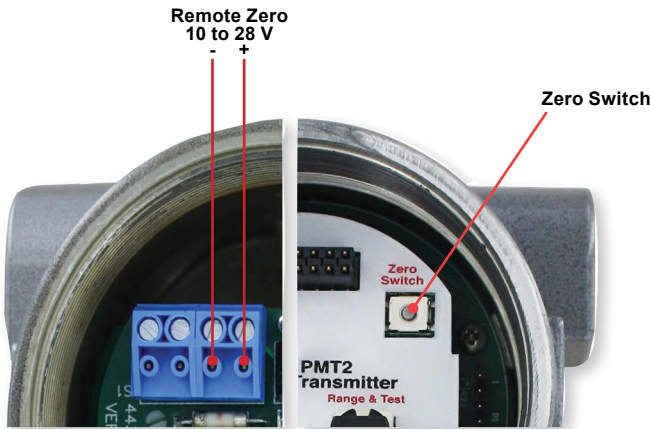
Even though the PMT2 will come zeroed from the factory it is recommended to zero the transmitter after installation to ensure the best accuracy. When zeroing the PMT2, make sure the dust collector is shut down and there is no air flow in the duct, stack or pipe the transmitter is monitoring. It is recommended to re-zero the PMT2 once every 12 months for optimal performance. Please check your local laws and regulations as clean air standards may require zero calibration on a certain time schedule based on application. There are two ways the PMT2 can be zeroed. The first method is with the zero button on the front of the transmitter. Press and hold the button for 3 seconds and the transmitter will begin zeroing. The second method is the remote zero. Supply DC voltage as shown in Figure 4 across the zero terminals on the back of the transmitter for at least 3 seconds for the transmitter to start zeroing. While the transmitter is zeroing, the PMT2 will output about 3.5 mA. The zero function will take approximately 3 minutes. When zeroing is complete the output will return to a normal output signal and the transmitter is ready for operation.

MAINTENANCE/REPAIR

Upon final installation of the Series PMT2, no routine maintenance is required. The Series PMT2 is not field serviceable and should be returned if repair is needed. Field repair should not be attempted and may void warranty.

WARRANTY/RETURN

Refer to "Terms and Conditions of Sales" in our catalog and on our website. Contact customer service to receive a Return Goods Authorization number before shipping the product back for repair. Be sure to include a brief description of the problem plus any additional application notes.



Note: Do not zero the PMT2 while the dust collector is in operation.

Figure 4: Remote Zero and Zero Switch

| Symptom | Potential Source | Corrective Action |
|------------------|------------------|---|
| High Output | Loop Wiring | Check for dirty or defective terminals, interconnecting pins or receptacles. |
| | Power Supply | Check the output voltage of the power supply at the transmitter terminals. It should be 9.5 to 28 VDC. |
| Erratic Output | Loop Wiring | Check the output voltage of the power supply at the transmitter terminals. It should be 9.5 to 28 VDC. Check for intermittent shorts, open circuits and multiple grounds. Check the polarity at the signal terminals. |
| Low or No Output | Zeroing | The PMT2 will output about 3.5 mA while zeroing. Wait approximately 3 minutes and the 4 to 20 mA signal should return to normal. |
| | Loop Wiring | Check for intermittent shorts, open circuits and multiple grounds. Check the polarity at the signal terminals. Check the loop impedance. |

Table 3: Troubleshooting

IS CONTROL DRAWING

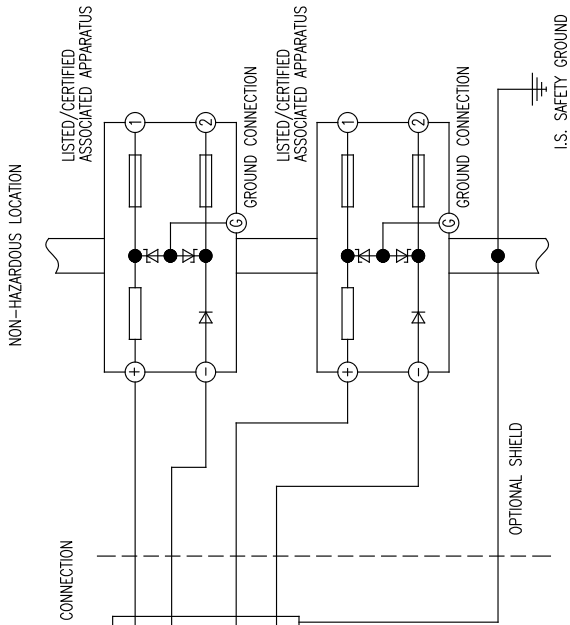
CATALOG NUMBERS:
PMT2-99-b-U2c

c IS BLANK OR ST (STAINLESS STEEL TAG)
b IS A (3/4 MNPT) OR B (1.5" TRI-CLAMP) PROCESS CONNECTION
aa IS TWO NUMERIC CHARACTERS 00 THRU 36

| TABLE 1: | |
|----------------|----------------------|
| U.S. EQUIPMENT | Associated Apparatus |
| Vmax (U) | Voc OR Vt (Uo) |
| Imax (I) | Isc OR It (Io) |
| Pmax (P) | Po |
| Li + Ccable | Ca (Co) |
| Li + Lcable | La (Lo) |

PMT2 SERIES TRANSMITTER
4 TO 20 mA SIGNAL
REMOTE ZERO
Vmax (U) = 28VDC
Imax (I) = 9.3mA
Ci = 0.022uF
Li = 0.373mH
Pmax (P) = 651mW

HAZARDOUS (CLASSIFIED) LOCATION INTRINSICALLY SAFE FOR:
CLASS I DIV. 1 GROUPS C, D
CLASS II DIV. 1 GROUPS E, F, G
CLASS III DIV. 1
CLASS 1 ZONE 0 AEx ia IIB T4 Ga
CLASS 1 ZONE 0 Ex ia IIB T4 Ga
T4 Ta = -40°C TO 63°C TYPE 4, IP 66
MAXIMUM PROCESS TEMPERATURE 120°C



1. SELECTED ASSOCIATED APPARATUS MUST BE THIRD PARTY LISTED AS PROVIDING INTRINSICALLY SAFE CIRCUITS FOR THE APPLICATION, AND HAVE Voc OR Vt NOT EXCEEDING Vmax (OR Uo NOT EXCEEDING U), Isc OR It NOT EXCEEDING Imax (OR Io NOT EXCEEDING I), AND THE Po OF THE ASSOCIATED APPARATUS MUST BE LESS THAN OR EQUAL TO THE Pmax OR Pi OF THE INTRINSICALLY SAFE EQUIPMENT, AS SHOWN IN TABLE 1.
2. ASSOCIATED APPARATUS OUTPUT CURRENT MUST BE LIMITED BY A RESISTOR SUCH THAT THE OUTPUT VOLTAGE-CURRENT PLOT IS A STRAIGHT LINE DRAWN BETWEEN OPEN-CIRCUIT VOLTAGE AND SHORT-CIRCUIT CURRENT.
3. CAPACITANCE AND INDUCTANCE OF THE FIELD WIRING FROM THE INTRINSICALLY SAFE EQUIPMENT TO THE ASSOCIATED APPARATUS SHALL BE CALCULATED AND MUST BE INCLUDED IN THE SYSTEM CALCULATIONS AS SHOWN IN TABLE 1. CABLE CAPACITANCE, Ccable, PLUS INTRINSICALLY SAFE EQUIPMENT CAPACITANCE, Ci, MUST BE LESS THAN THE MARKED CAPACITANCE, Ca (OR Co) SHOWN ON ANY ASSOCIATED APPARATUS USED. THE SAME APPLIES FOR INDUCTANCE (Lcable, Li AND Lo OR Lo RESPECTIVELY), WHERE THE CABLE CAPACITANCE AND INDUCTANCE PER FOOT ARE NOT KNOWN, THE FOLLOWING VALUES SHALL BE USED: Ccable = 60 PF/FT. (200 PF/M), Lcable = 0.2 uH/FT. (0.6 uH/M)
4. EQUIPMENT CONNECTED TO THE ASSOCIATED APPARATUS MUST NOT USE OR GENERATE MORE THAN 250 Vrms OR VDC.
5. 4 TO 20 mA SIGNAL AND REMOTE ZERO MUST BE TREATED AS SEPARATE INTRINSICALLY SAFE CIRCUITS.
6. WHERE MULTIPLE CIRCUITS EXTEND FROM THE SAME PIECE OF INTRINSICALLY SAFE EQUIPMENT TO ASSOCIATED APPARATUS, THEY MUST BE INSTALLED IN SEPARATE CABLES OR IN ONE CABLE HAVING SUITABLE INSULATION, REFER TO ARTICLE 504.30(B) OF THE NATIONAL ELECTRICAL CODE (ANSI/NFPA 70) FOR INSTALLATION IN THE UNITED STATES OR SECTION 18 OF THE CANADIAN ELECTRICAL CODE (CSA C22.1) FOR INSTALLATION IN CANADA AND INSTRUMENT SOCIETY OF AMERICA RECOMMENDED PRACTICE ISA RPT2.06 FOR INSTALLING INTRINSICALLY SAFE EQUIPMENT.
7. THE UL MARK APPLIES TO THE PRODUCT AS IT IS ORIGINALLY MANUFACTURED WHEN SHIPPED FROM THE FACTORY. AUTHORIZED USE OF THE UL MARK IS THE MANUFACTURER'S DECLARATION THAT THE PRODUCT WAS ORIGINALLY MANUFACTURED IN ACCORDANCE WITH THE APPLICABLE REQUIREMENTS. UL DOES NOT KNOW WHAT THE EFFECT OF A MODIFICATION MAY HAVE ON THE SAFETY OF THE PRODUCT OR THE CONTINUED VALIDITY OF THE UL CERTIFICATION MARK UNLESS THE FIELD MODIFICATIONS HAVE BEEN SPECIFICALLY INVESTIGATED BY UL. UNLESS UL INVESTIGATES A MODIFIED PRODUCT, UL CANNOT INDICATE THAT THE PRODUCT CONTINUES TO MEET UL'S SAFETY REQUIREMENTS.
8. THE ASSOCIATED APPARATUS MANUFACTURER'S INSTALLATION INSTRUCTIONS MUST BE FOLLOWED WHEN INSTALLING THE EQUIPMENT.
9. ALL OPENINGS TO ENCLOSURE MUST BE SEALED USING SUITABLE GLANDS AND/OR PLUG MAINTAINING A MINIMUM IP RATING OF IP60.
10. WARNING - ENCLOSURE PARTS ARE CONSTRUCTED OF ALUMINUM. ENCLOSURE MUST BE PROTECTED FROM IGNITION HAZARD DUE TO IMPACT OR FRICTION.
11. WARNING - SUBSTITUTION OF COMPONENTS MAY IMPAIR INTRINSIC SAFETY.
12. WARNING - TO PREVENT IGNITION OF FLAMMABLE OR COMBUSTIBLE ATMOSPHERES, READ, UNDERSTAND AND ADHERE TO THE MANUFACTURER'S LIVE MAINTENANCE PROCEDURES.

STANDARDS:
AS REFERENCE BY UL 913 - 8th EDITION
UL 60079-0 - 6th EDITION
UL 60079-11 - 6th EDITION

CAN/CSA C22.2 NO. 157-92:12
CAN/CSA C22.2 NO. 60079-0:11
CAN/CSA C22.2 NO. 60079-11:14

| SCALE 1:2 | |
|---|----------|
| DATE | 12-23-14 |
| DWN BY | DMK/KAS |
| CHKD | HMS |
| APPR | DMK |
| BY/DATE | |
| CHANGES | |
| NO. | |
| NOTE: This drawing and the principles and elements of design embodied therein are the exclusive property of DWYER INSTRUMENTS, INC. and are not to be communicated, disseminated, reproduced or used in any way without the express written consent of DWYER INSTRUMENTS, INC. and are not to be submitted for examination without the written consent of said corporation. | |
| AGD02002 | 3 |

| DATE | NAME |
|----------|--------------------|
| 12-23-14 | IS CONTROL DRAWING |
| | PMT2 |

| MATERIAL |
|----------|
| FINISH |

DWYER INSTRUMENTS, INC.
MICHIGAN CITY, INDIANA 46360 U.S.A.

FR. NO. 001744-48

IS CONTROL DRAWING
ATEX/IECEX

CATALOG NUMBERS:
PMT2-gg-b-AZc

OPTIONS

- BLANK - NONE
- M2 - M20 ELECTRICAL ENTRIES
- ST - STAINLESS STEEL TAG

PROCESS CONNECTION

- A - 3/4" MALE NPT
- B - 1.5" TRI-CLAMP WITH 1" NPT MALE
- C - 3/4" MALE BSPT
- D - 1.5" TRI-CLAMP WITH 1" BSPT

PROBE LENGTH - TWO NUMERIC CHARACTERS

| TABLE 1: | |
|--------------|----------------------|
| IS EQUIPMENT | Associated Apparatus |
| Vmax (U) | Voc OR Vt (Uo) |
| Imax (I) | Isc OR It (Io) |
| Pmax (Pt) | Po |
| Ct + Ccable | Ca (Co) |
| Lt + Lcable | La (Lo) |

PMT2 SERIES TRANSMITTER
4 TO 20 mA SIGNAL
4 TO 20 mA SIGNAL
REMOTE ZERO

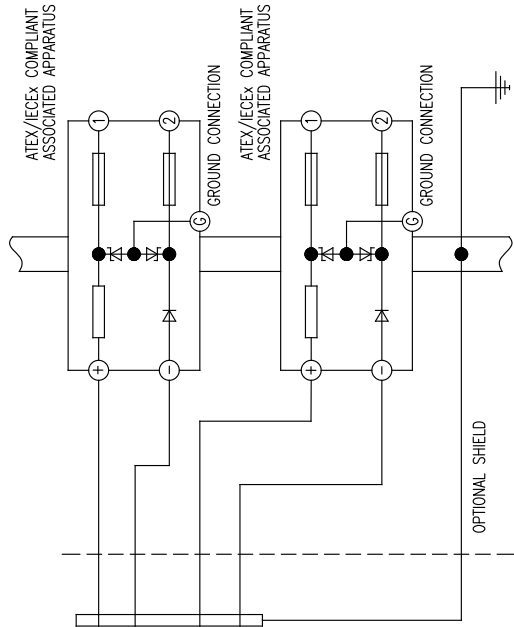
Vmax (U) = 28VDC
Imax (I) = 9.3mA
Ct = 0.022uF
Lt = 0.373mH
Pmax (Pt) = 651mW

REMOTE ZERO
Vmax (U) = 28VDC
Imax (I) = 9.3mA
Ct = NEGLIGIBLE
Lt = 0mH
Pmax (Pt) = 651mW

ATEX CLASSIFICATION:
● II 1 G Ex ia IIB T4 Ga (-40°C ≤ Tamb ≤ 63°C) (-40° ≤ Tprocess ≤ 120°C)
● II 1 D Ex ia IIC T120°C Da (-40°C ≤ Tamb ≤ 63°C) (-40° ≤ Tprocess ≤ 120°C)

IECEX CLASSIFICATION:
Ex ia IIB T4 Ga (-40°C ≤ Tamb ≤ 63°C) (-40° ≤ Tprocess ≤ 120°C)
Ex ia IIC T120°C Da (-40°C ≤ Tamb ≤ 63°C) (-40° ≤ Tprocess ≤ 120°C)

NON-HAZARDOUS LOCATION



I.S. SAFETY GROUND

- SELECTED ASSOCIATED APPARATUS MUST BE THIRD PARTY CERTIFIED AS PROVIDING INTRINSICALLY SAFE CIRCUITS FOR THE APPLICATION, AND HAVE Voc OR Vt NOT EXCEEDING Vmax (OR Uo NOT EXCEEDING Uj), Isc OR It NOT EXCEEDING Ij, AND THE Po OF THE ASSOCIATED APPARATUS MUST BE LESS THAN OR EQUAL TO THE Pmax OR Pt OF THE INTRINSICALLY SAFE EQUIPMENT, AS SHOWN IN TABLE 1
- EQUIPMENT CONNECTED TO THE ASSOCIATED APPARATUS MUST NOT USE OR GENERATE MORE THAN 250 Vrms OR VDC.
- 4 TO 20 MA SIGNAL AND REMOTE ZERO MUST BE TREATED AS SEPARATE INTRINSICALLY SAFE CIRCUITS.
- THE ASSOCIATED APPARATUS MANUFACTURERS' INSTALLATION INSTRUCTIONS MUST BE FOLLOWED WHEN INSTALLING THE EQUIPMENT.
- WARNING - ENCLOSURE SHALL BE SEALED BY CABLE ENTRY DEVICE AND BLANKING ELEMENT; CABLE ENTRY DEVICE AND BLANKING ELEMENT SHALL BE CERTIFIED Ex d OR Ex e WITH A IP66 RATING MINIMUM AND 89.4°C MINIMUM SERVICE TEMPERATURE.
- WARNING - ALL FIELD WIRING SHALL BE SUITABLE FOR AN AMBIENT TEMPERATURE RANGE OF -40°C TO 89.4°C.
- WARNING - ENCLOSURE PARTS ARE CONSTRUCTED OF ALUMINUM. ENCLOSURE MUST BE PROTECTED FROM IGNITION HAZARD DUE TO IMPACT OR FRICTION.
- WARNING - SUBSTITUTION OF COMPONENTS MAY IMPAIR INTRINSIC SAFETY.
- WARNING - TO PREVENT IGNITION OF FLAMMABLE OR COMBUSTIBLE ATMOSPHERES, READ, UNDERSTAND AND ADHERE TO THE MANUFACTURERS LIVE MAINTENANCE PROCEDURES.
- NO REVISIONS TO THIS DRAWING WITHOUT PRIOR APPROVAL BY UL/DEMKO.

ATEX STANDARDS: EN 60079-0:2012/A11:2013
EN 60079-11: 2012

IECEX STANDARDS: IEC 60079-0: 2011/ISH1:2014
IEC 60079-11: 2011/SH1:2014

Ⓞ = CRITICAL DIMENSION
DIMENSIONS IN PARENTHESES UNLESS NOTED:
ALL DIMENSIONS IN mm
ALL ANGLES ± 1°

SCALE 1:2

| DATE | NAME | MATERIAL |
|----------|--|----------|
| 09-15-16 | IS CONTROL DRAWING ATEX/IECEX PMT2 | FINISH |
| OWN BY | KAS | |
| CHKD | CAT | |
| APFD | DWK | |
| BY/DATE | | |
| NO. | CHANGES | |
| | ACQ02002 | |

NOTICE: This drawing and the principles and elements of design embodied therein are the exclusive property of DWYER INSTRUMENTS, INC. and are not to be communicated, disseminated, reproduced or used, in whole or in part, without the express written consent of DWYER INSTRUMENTS, INC. and must not be submitted to outside parties for examination without the written consent of DWYER INSTRUMENTS, INC.

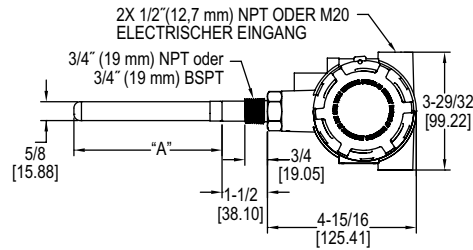
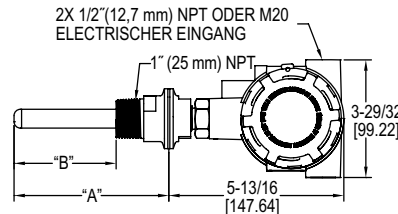
DWYER INSTRUMENTS, INC.
MICHIGAN CITY, INDIANA 46360 U.S.A.

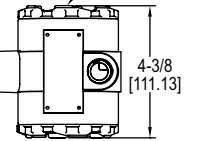
FR. NO. 001744-81

Partikeltransmitter Serie PMT2
Technische Daten – Installations- und Betriebsanleitung


| GEWINDEMONTAGE | | |
|----------------|-------------|--|
| Sonde | A | |
| Länge | in [mm] | |
| 3" | 3 [76.20] | |
| 5" | 5 [127.00] | |
| 10" | 10 [254.00] | |
| 15" | 15 [381.00] | |
| 20" | 20 [508.00] | |
| 30" | 30 [762.00] | |
| 36" | 36 [914.40] | |

| MONTAGE TRI-CLAMP 1.5" (38 mm) | | | |
|--------------------------------|-----------------|-------------------|--|
| Sonde | A | B | |
| Länge | in [mm] | in [mm] | |
| 3" | 3-1/2 [88.90] | 1-25/32 [45.24] | |
| 5" | 5-1/2 [139.70] | 3-25/32 [96.04] | |
| 10" | 10-1/2 [266.70] | 8-25/32 [123.04] | |
| 15" | 15-1/2 [393.70] | 13-25/32 [350.04] | |
| 20" | 20-1/2 [520.70] | 18-25/32 [477.04] | |
| 30" | 30-1/2 [744.70] | 28-25/32 [731.04] | |
| 36" | 36-1/2 [927.10] | 34-25/32 [883.44] | |


Montage NPT-Außengewinde 3/4" (19 mm) ODER 3/4" (19 mm) Montage BSPT-Außengewinde

Montageoption Tri-Clamp 1.5" (38 mm)

 SPIELRAUM 1-1/4" (32 mm) [32]
 FÜR ENTFERNUNG DER
 ABDECKUNGEN AUF BEIDEN SEITEN


Der Partikeltransmitter der **SERIE PMT2** dient der Messung des Partikelausstoßes von Entstaubern. Mittels einer direkt gekoppelten elektrostatischen Induktionssensortechnologie überwacht der Transmitter einen pA-Strom, der entsteht, wenn sich ein Partikel entlang der Sonde bewegt; das Signal beträgt je nach Stärke des Partikels zwischen 4 und 20 mA. Der PMT2 bietet 6 Empfindlichkeitsstufen, so dass der Benutzer diejenige auswählen kann, die am besten zu seiner Anwendung passt. Auch der Auswahlschalter für Messbereich und Tests kann auf ein Ausgabesignal von 4 mA oder 20 mA eingestellt werden, wenn dies bei der Einrichtung oder Fehlerbehebung hilfreich ist. Bei Bedarf lässt sich zur Dämpfung des Signals die Zeiteinstellung mitteln.

MERKMALE / VORZÜGE

- simple 2-Drahtmontage für SPS und Steuertafeln
- haftabweisende Sonde mit PTFE-Beschichtung gegen Falschmessungen an feuchtem und leitfähigem Staub, Kondensat und Staubansammlungen
- durch Nullkalibrierung aus der Ferne verringert sich Wartungszeit

| TABELLE | | | | | |
|------------------|------|-----|----|-----|---------------------------------------|
| Beispiel | PMT2 | -05 | -A | -U2 | PMT2-05-A-U2 |
| Serie | PMT2 | | | | Partikeltransmitter |
| Sondenlänge | | 03 | | | Sondenlänge 3" (76.20 mm) |
| | | 05 | | | Sondenlänge 5" (127 mm) |
| | | 10 | | | Sondenlänge 10" (254 mm) |
| | | 15 | | | Sondenlänge 15" (381 mm) |
| | | 20 | | | Sondenlänge 20" (508 mm) |
| | | 30 | | | Sondenlänge 30" (762 mm) |
| | | 36 | | | Sondenlänge 36" (914 mm) |
| Prozessanschluss | | | A | | Außengewinde 3/4" (19 mm) |
| | | | B | | 1.5" (38 mm)-Tri-clamp-Bausatz mit 1" |
| | | | C | | (25 mm)-NPT-Außengewinde |
| | | | | | 3/4" (19 mm) BSPT-Gewinde |
| Gehäuse | | | | A2 | ATEX und IECEx (IS) |
| | | | | U2 | UL (IS)* |
| Optionen | | | | | ST Kennzeichnung Edelstahl |
| | | | | | M2 Sockel M20 elektrische Eingänge |
| | | | | | (Sockel 1/2" (12.7 mm) NPT-Standard) |

*Optionen ohne ATEX- oder IECEx-Schutz
 Achtung: Geräte ohne A2-Suffix sind nicht nach 2014/34/EC (ATEX) zertifiziert. Diese Geräte sind für den Einsatz in explosionsgefährdeten Räumen nicht geeignet. Sie sind nur nach CE getestet.

TECHNISCHE DATEN

Wartung: Luft und kompatible Gase, alle Arten von Partikel leitend oder nicht leitend.

Mediumberührende Teile: 316L SS, Silikon und PTFE.

Gehäuse: pulverbeschichtetes Aluminium.

Genauigkeit: ±5 % des Messwerts.

Partikelgröße: 0,3 Mikrometer und mehr.

Messbereich: 5 bis 5000 pA (6 auswählbare Messbereichsoptionen).

Temperaturbereich: Umgebungstemp.: -40 to 145 °F (-40 bis 63 °C);
 Prozesstemp.: -40 bis 120 °F (-40 bis 248 °C).

Druckbereich: 30 bar (2 psi).

Signalausgabe: 4 bis 20 mA.

Leistungsbedarf: 12 bis 28 V Gleichstrom (≈).

Elektrischer Anschluss: Zwei 1/2" NPT-Außengewinde für elektrische Eingänge oder zwei M20 elektrische Eingänge (A2 nur Suffix).

Klemmleiste: abnehmbar (Draht 16 bis 20 AWG).

Prozessanschluss: Siehe Tabelle. BSPT-Prozessanschlüsse sind nicht UL-gelistet.

Sondenlängen: Siehe Tabelle.

Gehäuse: UL-Typ 4 (IP66) ATEX/IECEx IP65.

Montagerichtung: alle.

Mittelungszeit: 1 bis 360 s (10 auswählbare Optionen).

Gewicht: je nach Probenlänge und Art der Befestigung.

Zulassungen: CE, cULus; ATEX zertifiziert: C0518 © II 1 G Ex ia IIB T4 Ga (-40°C ≤ Tamb ≤ 63°C) (-40°C ≤ T_{Prozess} ≤ 120°C) / II 1 D Ex ia IIIC T120°C Da (-40°C ≤ Tamb ≤ 63°C) (-40°C ≤ T_{Prozess} ≤ 120°C). Zertifikat Nr.: DEMKO 16ATEX1768 X. ATEX-Standards: EN 60079-0:2012/A11:2013; EN 60079-11:2012. IECEx Zertifiziert: Ex ia IIB T4 Ga (-40°C ≤ Tamb ≤ 63°C) (-40°C ≤ T_{Prozess} ≤ 120°C) / Ex ia IIIC T120°C Da (-40°C ≤ Tamb ≤ 63°C) (-40°C ≤ T_{Prozess} ≤ 120°C).

Konformitätszertifikat: IECEx UL 16.013X. IECEx-Standards: IEC 60079-0: 2011; IEC 60079-11: 2011. UL als eigensicher Klasse I, Gruppe C und D eingestuft; Klasse II, Gruppe E, F und G; Klasse III; Klasse I Zone 0 AEx ia IIB T4 Ga; Klasse I Zone 0 Ex ia IIB T4 Ga.

FUNKTIONSPRINZIP

Technologie

Der PMT2 verwendet eine höchst verlässliche direkt gekoppelte elektrostatische Induktionssensortechnologie. Dabei wird die Sensorsonde in einem Luftstrom montiert wie beispielsweise einer Leitung, einem Rohr oder Schacht. Der induktive Effekt tritt ein, wenn sich ein Partikel an einer Sonde entlang bewegt, so dass die Ladung vom Partikel auf die Sonde übertragen wird. Dabei filtert ein Mikroprozessor das Signal und wandelt es in ein Ausgabesignal um, das sich linear zur Massenkonzentration des Partikels verhält.

Die beschichtete PTFE-Sonde gewährleistet bei allen Partikeln einen verlässlichen Betrieb, einschließlich Feuchtpulver und hochleitfähiger Stäube. Dank der beschichteten PTFE-Sonde wird keine Sperrluft benötigt und die Wartung auf ein Mindestmaß beschränkt.

Partikelüberwachung

Der PMT2 ist speziell zur durchgängigen Überwachung des Partikelgehalts in Luftströmen aus Schächten und anderen Ausstoßstellen ausgelegt, die durch einen Filter in einer Luftfilteranlage geleitet werden. Der Transmitter sollte im Abluftkanal montiert werden und kann in Verbindung mit verschiedenen Arten von Beutel-, Keramik-, Kerzen- oder Zyklonfiltern verwendet werden. Bei der Erstmontage des PMT2 eine Messung der Grundlinie vornehmen und den Wert festhalten. Dieser Messwert richtet sich nach der Anwendung und muss bei jeder Installation einzeln ermittelt werden. Auf der Grundlage dieses Werts überwacht der Bediener das Ausgabesignal des PMT2. Ein Anstieg beim mA-Wert des Ausgangssignals deutet auf einen erhöhten Partikelgehalt im Luftstrom hin, weil die Filter entweder abgenutzt oder defekt sind.

Der PMT2 ist für ein proportionales Ausgabesignal auf der Grundlage des Partikelpegels in Rohren und Leitungen ausgelegt, nicht jedoch für ein Ausgabesignal auf der Grundlage des Partikelvolumenstroms. Verschiedene Partikelarten transportieren unterschiedliche Ladungen, so dass zwei Partikel, die sich mit derselben Durchflussgeschwindigkeit bewegen, zwei verschiedene Ausgabesignale erzeugen können. Der PMT2 wurde dazu entwickelt, unter idealen Betriebsbedingungen eine Grundlinie zu finden und dem Bediener die Möglichkeit zu geben, das Ausgangssignal auf einen Anstieg zu kontrollieren, die darauf hinweist, dass die Beutel oder Filter sich allmählich abnutzen oder Schäden aufweisen. Durch die sechs Empfindlichkeitsstufen lassen sich mit dem PMT2 sowohl Partikel mit niedriger als auch mit hoher Ladung überwachen. Zur Orientierung sind in Tabelle 1 die Ladungseigenschaften und die empfohlenen Stufen aufgeführt.

| | Partikel | Empfohlene Stufe |
|-------------------|------------------|------------------|
| positiv | Menschenhände | 5 bis 5000 pA |
| | Asbest | |
| | Kaninchenfell | 5 bis 1000 pA |
| | Azetat | |
| | Glas | |
| | Glimmer | |
| | Menschenhaar | 5 bis 500 pA |
| | Nylon | |
| | Holz | |
| | Fell | |
| Blei | | |
| Seide | | |
| neutral | Aluminium | 5 bis 100 pA |
| | Papier | |
| | Baumwolle | 5 bis 500 pA |
| | Stahl | |
| | Holz | |
| | Mylar™ | |
| | Nickel / Kupfer | |
| | Silber / Messing | |
| | Gold / Platin | |
| | Schwefel | |
| Azetatseide | 5 bis 1000 pA | |
| Polyester | | |
| Styren (Styropor) | | |
| Acryl | | |
| negativ | Saran™ | 5 bis 5000 pA |
| | Polyurethan | |
| | Polyethylen | |
| | Polypropylen | |
| | Vinyl (PVC) | |
| | Silikon | |
| | PTFE | |
| | Silikonkautschuk | |

Tabelle 1: empfohlene Stufen

MONTAGE

Auspacken

Den PMT2 aus dem Versandkarton nehmen und auf Schäden untersuchen. Bei eventuellen Schäden den Spediteur umgehend in Kenntnis setzen.

Montagestelle

Bei der Auswahl der Stelle, an der der PMT2 installiert werden soll, sind folgende Punkte zu beachten:

- Darauf achten, dass der Transmitter für die Umgebung eingestuft ist, in der er montiert werden soll.
- Den Transmitter an einer Stelle montieren, an der die in den technischen Daten aufgeführten Temperatur- und Druckwerte nicht überschritten werden. Der Prozessdruck darf 2 Bar (30 psi) nicht überschreiten.
- Darauf achten, dass die Signalkabel für 4 bis 20 mA nicht durch die gleiche Leitung verlaufen wie die Starkstromkabel.
- Darauf achten, dass die Stelle, an der der Transmitter angebracht wird, den NEMA- oder IP-Betriebswert für das Gehäuse erfüllt.
- Den Transmitter an einer Stelle anbringen, wo er im Wartungsfall erreichbar ist.

Der PMT2 sollte in einem geerdeten Metallschacht, -rohr oder einer geerdeten Metalleitung montiert werden. Nicht an Schächten, Rohren oder Leitungen aus Glasfaser oder Kunststoff anbringen. Zur Gewährleistung einer genauen Messung muss die Sonde 1/2 bis 2/3 über den Schacht, das Rohr oder die Leitung reichen. Am stabilsten und genauesten sind die Messwerte, wenn der PMT2 an einer Stelle montiert wird, an der der Luftstrom möglichst laminar ist. Den Transmitter möglichst nicht in der Nähe von Ventilatoren und Luftklappen montieren, die Turbulenzen verursachen. Idealerweise sollte der PMT2 in einem Bereich mit zwei vorgelagerten Rohrdurchmessern und einem nachgelagerten Rohrdurchmesser montiert werden, die frei von Turbulenzen hervorrufenden Gegenständen sind. Die Sensorsonde ist mit einem haftabweisenden PTFE beschichtet, so dass kein Material an der Sonde haften bleibt, wodurch sich der Reinigungs- und Luftspülaufwand verringert.

VERKABELUNG

ACHTUNG

- Bei Montage und Wartung des Geräts die Netzspannung stets ausschalten und bei Bedarf den Sperrschalter betätigen
- Bei Leitungs- und Lastanschlüssen nur Draht mit 16 bis 20 AWG verwenden. Bei der Montage die vor Ort geltenden Vorschriften und Gesetze wie den National Electric Code beachten.
- Schutzstufe TYPE 4 (IP66) ist gewährleistet, wenn passende Anschlüsse und Stecker gemeinsam mit UL-gelisteten Modellen verwendet werden.

WARNHINWEIS

GEFAHRENSTELLEN

Damit sich Gefahrenstellen nicht entzünden, sind folgende Vorkehrungen zu treffen:

- Geräteabdeckungen während des Betriebs fest geschlossen halten.
- Vor dem Öffnen der Geräteabdeckung die Stromversorgung ausschalten.
- Vor dem erneuten Einschalten der Stromversorgung die Geräteabdeckungen wieder aufsetzen.
- Das Gerät lässt sich nicht vor Ort reparieren und muss deshalb im Reparaturfall an Dwyer Instruments geschickt werden.

WARNHINWEIS

SPEZIFISCHE NUTZUNGSBEDINGUNGEN BEZÜGLICH EIGENSICHERHEIT

Zur Aufrechterhaltung der Eigensicherheit sind folgende

Vorsichtsmaßnahmen zu ergreifen:

- Signal von 4-20 mA und der Nullabgleich aus der Ferne müssen als zwei getrennte Schaltkreise behandelt werden.
- Die Bauteile des Gehäuses bestehen aus Aluminium. Das Gehäuse muss vor Brandgefahr durch Stoßeinwirkung oder Reibung geschützt werden.
- Alle Gehäuseöffnungen müssen mit passenden Anschlüssen und Steckern abgedichtet sein, die mindestens der IP-Schutzklasse IP66 für UL-gelistete Modelle und IP65 für ATEX/IECEz zertifizierte Modelle entsprechen.
- Durch den Austausch von Bauteilen wird die Eigensicherheit gefährdet.

STEUERPLAN UL-GELISTETE EIGENSICHERHEIT (ENDUNG U2):

UL als eigensicher eingestuft für Gebrauch in Klasse I Unterklasse 1 Gruppe C und D; Klasse II Unterklasse 1 Gruppe E, F und G; Klasse III Unterklasse. 1; Klasse I Zone 0 AEx ia IIB T4 Ga; Klasse I Zone 0 Ex ia IIB T4 Ga; T4@63°C, sofern Installation in Übereinstimmung mit Steuerplan 001744-48 auf Seite 6 des vorliegenden Dokuments erfolgt ist.

ATEX ZERIFIZIERT (SUFFIX A2)

II 1 G Ex ia IIB T4 Ga (-40°C ≤ Tamb ≤ 63°C) (-40°C ≤ T_{Process} ≤ 120°C) / II 1 D Ex ia IIIC T120°C Da (-40°C ≤ Tamb ≤ 63°C) (-40°C ≤ T_{Process} ≤ 120°C), sofern Installation in Übereinstimmung mit Steuerplan 001744-81 auf Seite 7 dieses Dokuments erfolgt ist.

IECEX ZERIFIZIERT (SUFFIX A2)

Ex ia IIB T4 Ga (-40°C ≤ Tamb ≤ 63°C) (-40°C ≤ T_{Process} ≤ 120°C) / Ex ia IIIC T120°C Da (-40°C ≤ Tamb ≤ 63°C) (-40°C ≤ T_{Process} ≤ 120°C), sofern Installation in Übereinstimmung mit Steuerplan 001744-81 auf Seite 7 dieses Dokuments erfolgt ist.

EINGABEPARAMETER EIGENSICHERHEIT:

Signal 4-20 mA, V_{max} (U_i) = 28 V; I_{max} (I_i) = 93 mA; C_i = .022 µF; L_i = 0.373 mH; P_{max} (P_i) = 651 mW
 Nullabgleich aus der Ferne, V_{max} (U_i) = 28 V; I_{max} (I_i) = 93 mA; C_i = vernachlässigbar; L_i = 0 mH; P_{max} (P_i) = 651 mW

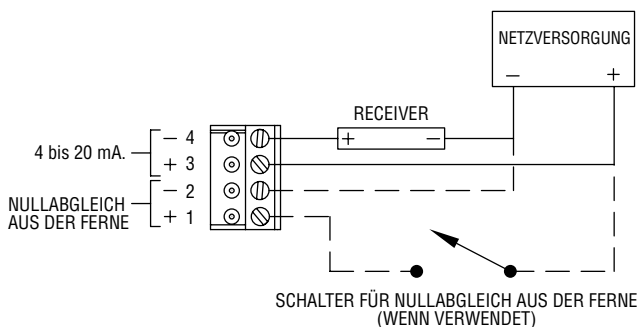


Abbildung 1: allgemeine Montageverkabelung (nicht IS)

LEISTUNGSBEDARF

Die maximale Netzspannung beträgt 28 V Gleichstrom. Die erforderliche Gleichstromversorgung basiert auf folgenden Werten:

1. Minimale Gleichspannung für Modell PMT2.
2. Gesamtlastwiderstand.
3. Gesamtwiderstand der Anschlussleitung.
4. Spannungsabfall Zener-Schranke (nur Modell PMT2-XX-X-X2).

Die Formel zur Berechnung der Gleichstromversorgung lautet:

$$V(\text{Gleichstrom}) = VPMT2 + VLOAD + VLEADWIRE + VBARRIER$$

wobei VPMT2 = 9,5 V

VLOAD = Gesamtlastwiderstand X 20 mA

VLEADWIRE = Gesamtwiderstand der Anschlussleitung X 20 mA

VBARRIER = 8.1 V (bei dieser Anwendung typischer Spannungsabfall bei Zener-Schranke)

Beispiel 1: Minimale Gleichstromversorgung für eigensichere Modelle berechnen

Schritt 1 VPMT2 = 9,5 V

Schritt 2 VLOAD berechnen. Dabei Umrechnungswiderstand der Branchennorm von 250 Ω, VLOAD = 250 X 20 mA = 5 V verwenden.

Schritt 3 VLEADWIRE berechnen. Für dieses Beispiel ausgehen von einem Gesamtwiderstand der Anschlussleitung von 10 Ω, VLEADWIRE = 10 X 20 mA = 0.2 V

Schritt 4 VBARRIER = 8.1 V

Schritt 5 VDC = VPMT2 + VLOAD + VLEADWIRE + VBARRIER = 9.5 + 5 + 0.2 + 8.1 = 22.8 V

STEUERELEMENTE

WARNHINWEIS

WARTUNG BEI LAUFENDEM BETRIEB

Bei Vorliegen einer entzündlichen oder flammbaren Atmosphäre dürfen keine Wartungsarbeiten an Nullabgleich, Mittelungszeit, Stufen und Teststeuerungen bei laufendem Betrieb vorgenommen werden.

Nullschalter (siehe Abbildung 2)

Den Schalter 3 lang gedrückt halten, so dass sich der PMT2 einen digitalen Nullabgleich durchführt. Nach einem Funktionsausfall oder Austausch des Filters empfiehlt sich ein erneuter Nullabgleich. Einen erneuten Nullabgleich nur dann durchführen, wenn keine Luft durch die Leitung strömt.

Auswahlschalter Mittelungszeit

Der PMT2 mittelt das Ausgangssignal über den angegebenen Zeitraum. So werden Spitzen ausgeglichen, die beim normalen Filterreinigungszyklus auftreten.

Auswahlschalter Stufen und Test

Je nach aufzuspürendem Material stehen bei der Messung mit dem 6 PMT2 Empfindlichkeitsstufen zur Auswahl (siehe Tabelle 1). Ferner gibt es die Option eines Ausgabesignals von 4 mA oder 20 mA, welche bei der Montage des Transmitters und bei der Fehlerbehebung hilfreich sein können.

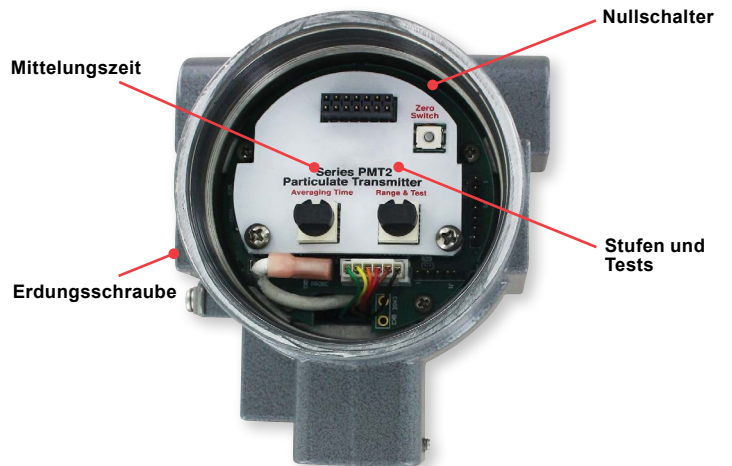


Abbildung 2

ENRICHTUNG

Montage

Damit es während des Betriebs nicht zu Vibrationen kommt, darauf achten, dass der PMT2 fest am Schacht, Rohr oder an der Leitung angebracht ist. Dafür sorgen, dass der Transmitter korrekt geerdet ist.

Einrichtung des Steuersignals

Verkabelung der Stromversorgung auf korrekte Polarität kontrollieren, bevor Sie die Stromzufuhr zum PMT2 einschalten. Die Stromzufuhr zum Transmitter einschalten und den Auswahlschalter für Stufen und Tests auf 4 mA (Position 2) stellen. Das Ausgabesignal des PMT beträgt normalerweise 4 mA; das Ausgabesignal mit Mehrfachmessgerät oder an dem Gerät kontrollieren (SPS, Anzeige usw.), das das Ausgabesignal empfängt. Sobald der Empfang des Signals von 4 mA bestätigt ist, den Auswahlschalter für die Stufen und Tests auf 20 mA (Position 1) stellen und den Vorgang wiederholen. Bei einem Signal von 0 mA kontrollieren, ob die Stromversorgung eingeschaltet ist und eventuell Drähte locker sitzen.

Auswahl von Stufen und Tests

Bei Auswahl einer der 6 verfügbaren Stufen müssen die Grundlinie und die maximalen Spitzensignale beachtet werden, die während der Filterreinigung auftreten. Die ausgewählte Stufe muss eine ausreichende Auflösung aufweisen, um die Grundlinie zu überwachen und die maximale Spitze bei einem Reinigungszyklus zu erfassen. Die vier linearen Stufen entsprechen einem Ausgangssignal von 4 mA bei 5 pA und 20 mA auf der Höchststufe. Die zwei logarithmischen Stufen verfügen über eine feinere Auflösung am niedrigeren Ende der Stufe und weniger am höheren Ende.

| Schalterposition | Stufe | Signalausgabe |
|------------------|-------------------|--|
| 1 | Test | 20 mA |
| 2 | Test | 4 mA |
| 3 | 5 bis 100 pA | 5 pA = 4 mA 25 pA = 8 mA 50 pA = 12 mA 75 pA = 16 mA 100 pA = 20 mA |
| 4 | 5 bis 500 pA | 5 pA = 4 mA 125 pA = 8 mA 250 pA = 12 mA 375 pA = 16 mA 500 pA = 20 mA |
| 5 | 5 bis 1000 pA | 5 pA = 4 mA 250 pA = 8 mA 500 pA = 12 mA 750 pA = 16 mA 1000 pA = 20 mA |
| 6 | 5 bis 5000 pA | 5 pA = 4 mA 1250 pA = 8 mA 2500 pA = 12 mA 3750 pA = 16 mA 5000 pA = 20 mA |
| 7 | Log 5 bis 500 pA | 5 pA = 4 mA 16 pA = 8 mA 50 pA = 12 mA 158 pA = 16 mA 500 pA = 20 mA |
| 8 | Log 5 bis 5000 pA | 5 pA = 4 mA 28 pA = 8 mA 158 pA = 12 mA 890 pA = 16 mA 5000 pA = 20 mA |

Hinweis: Position 9 und 0 sind ungenutzt.

Tabelle 2: Auswahlschalter Stufen und Test

LOGARITHMISCHE STUFE

Bei den logarithmischen Stufen ist das untere Ende des Skala verlängert und das obere Ende komprimiert. So hat der Bediener die Möglichkeit, die Grundlinie in einer besseren Auflösung zu überwachen und gleichzeitig die Spitzen beim Reinigungszyklus im Auge zu behalten. Die logarithmischen Stufen empfehlen sich bei Filterbeuteln, da diese eine größere Wahrscheinlichkeit von Partikelspitzen bei der Reinigung aufweisen.

BERECHNUNGEN LOGARITHMISCHE STUFE

$$pA = 10 \left(\frac{(M-4)}{16} \times R + 0,699 \right)$$

pA = gemessene Pikoampere (pA)

M = am PMT2 gemessene Milliampere (mA)

R = 2 (für logarithmische Stufe 5 bis 500 pA)

R = 3 (für logarithmische Stufe 5 bis 5000 pA)

Beispiel 1: Logarithmischer Bereich von 5 bis 500 pA bei Ausgangsstrom von 12 mA:

$$pA = 10 \left(\frac{(12-4)}{16} \times 2 + 0,699 \right)$$

pA = 50

Beispiel 2: Logarithmischer Bereich von 5 bis 5000 pA bei Ausgangsstrom von 14 mA:

$$pA = 10 \left(\frac{(14-4)}{16} \times 3 + 0,699 \right)$$

pA = 375

EINSTELLUNG DER EMISSIONSPEGELALARME

Der PMT2 stellt ein Signal zwischen 4 und 20 mA bereit, je nachdem, welche Stufe bei der Einrichtung ausgewählt wurde. Alarmlinien können in einer SPS oder Steuerungsanlage auf der Grundlage des Signals von 4 bis 20 mA aus dem Partikeltransmitter programmiert werden.

Es empfiehlt sich, zwei Alarmsollwerte einzustellen. Dabei überwacht ein Sollwert die Emissionsspitzen und der zweite den Anstieg der Grundlinie.

Der Alarm zur Überwachung der Emissionsspitzen sollte so eingestellt sein, dass er Änderungen bei den Spitzen erfasst, die durch die Reinigungszyklen entstehen. Bei Abnutzung der Filter nehmen Höhe und Dauer der Spitzen zu. Auch die Häufigkeit der Emissionsspitzen wird größer, da die Filter bei Abnutzung häufiger gereinigt werden müssen. Liegt die Signalausgabe durchgehend oberhalb des Emissionsspitzenalarms, ist der Filter höchstwahrscheinlich defekt und sollte umgehend ausgetauscht werden.

Der Grundlinienalarm misst wahrscheinlich einen Anstieg des Grundlinienwerts. Wo der Grundlinienalarm eingestellt wird, richtet sich nach der Art des Staubfilters und nach den Vorschriften der Einrichtung. Normalerweise wird bei der Erstinstallation der Filter der Grundlinienalarm beim 4- bis 5-Fachen des zuerst gemessenen Grundlinienwerts eingestellt. Beträgt also die Grundlinie 10 pA, ist der Grundlinienalarm auf 40 pA bis 50 pA einzustellen. Damit während der Reinigungszyklen kein falscher Alarm ausgelöst wird, empfiehlt es sich, in der SPS oder der Steuerstafel eine Zeitverzögerung einzustellen. Wenn das Ausgangssignal des PMT2 durchgängig über dem Grundlinienalarm liegt, ist es Zeit für einen Filterwechsel. Eine Zunahme der Emissionsspitzen bei gleichzeitig unveränderter Grundlinie deutet darauf hin, dass die Filter sich allmählich abnutzen und bald ausgewechselt werden müssen.

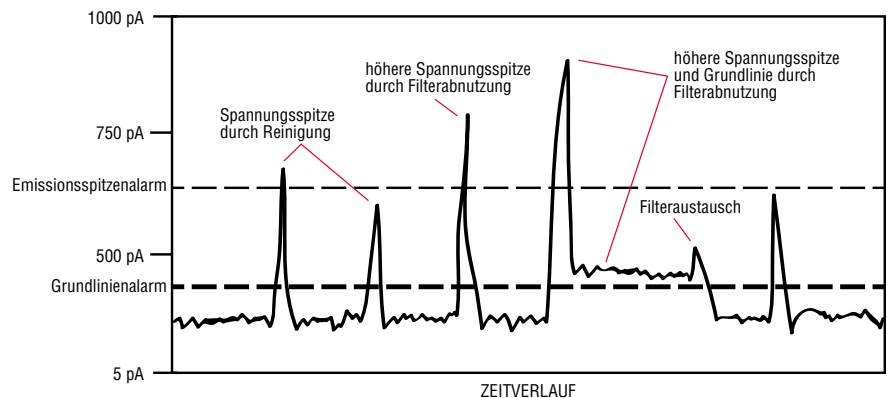


Abbildung 3: Typische Filteremissionen

MITTELUNGSAUSWAHL

Aufgrund des unregelmäßigen Partikelstroms und der Spitzen während der Reinigungszyklen bietet der PMT2 eine digitale Mittelungsfunktion. Zur Mittelung stehen zehn Optionen zwischen 1 und 360 Sekunden bereit. Mit der digitalen Mittelungsfunktion wird über den angegebenen Zeitraum der laufende Durchschnitt der Messwerte ermittelt. So werden Spitzen ausgeglichen, die infolge von Partikelschwankungen auftreten und den Alarm auslösen können. Dabei ist es wichtig, die Mittelung so einzustellen, dass der Bediener die Reinigungszyklen sehen kann. Zwischen den Reinigungszyklen empfiehlt es sich, die Bewegung der Grundlinie und die Tendenz zwischen den Spitzen zu überwachen.

NULLKALIBRIERUNG

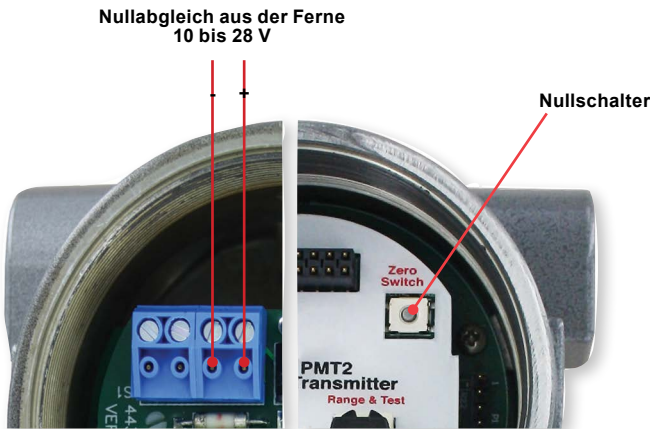
Zwar wird der PMT2 kalibriert geliefert; dennoch empfiehlt es sich, nach der Montage einen Nullabgleich vorzunehmen, um eine optimale Genauigkeit zu gewährleisten. Beim Nullabgleich des PMT2 sicherstellen, dass der Staubfilter ausgeschaltet ist und keine Luft durch die zu überwachende Leitung, das Rohr oder den Schacht strömt. Zwecks optimaler Leistung den PMT2 einmal alle 12 erneut kalibrieren. Bitte die vor Ort geltenden Gesetze und Vorschriften beachten, da je nach Anwendung möglicherweise Nullkalibrierungen nach einem bestimmten Zeitplan erfolgen müssen. Der Nullabgleich am PMT2 kann auf zwei Arten vorgenommen werden. Die erste Möglichkeit ist der Nullschalter vorn am Transmitter. Dazu den Schalter 3 lang gedrückt halten, so dass der Transmitter einen Nullabgleich durchführt. Die zweite Methode ist der Nullabgleich aus der Ferne. Wie in Abbildung 4 die Nullklemmleisten auf der Rückseite des Transmitters mindestens 3 Sekunden mit Gleichstrom versorgen, so dass der Transmitter mit dem Nullabgleich beginnt. Während des Nullabgleichs gibt der PMT2 ein Signal von circa 3,5 mA aus. Der Nullabgleich dauert circa 3 Minuten. Nach Abschluss des Nullabgleichs normalisiert sich das Ausgangssignal, und der Transmitter ist einsatzbereit.

WARTUNG / REPARATUR

Im Anschluss an die Montage der Serie PMT2 ist keine Routinewartung erforderlich. Die Serie PMT2 lässt sich nicht vor Ort warten und muss deshalb im Reparaturfall eingeschickt werden. Keine Reparatur vor Ort vornehmen, da dadurch die Gewährleistung aufgehoben wird.

GEWÄHRLEISTUNG / EINSENDUNG

Siehe „Allgemeine Vertriebsbedingungen“ in unserem Katalog und auf der Website. Bevor Sie das Produkt zur Reparatur einschicken, holen Sie sich bitte beim Kundendienst eine Warenrücksendenummer. Fügen Sie außerdem eine kurze Erläuterung des Problems sowie zusätzliche Anmerkungen bei.



Anmerkung: Keinen Nullabgleich des PMT2 durchführen, wenn der Staubfilter in Betrieb ist.

Abbildung 4: Nullabgleich aus der Ferne und Nullschalter

| Symptom | Mögliche Ursache | Korrekturmaßnahme |
|-----------------------------------|------------------|--|
| Hohes Signal | Verkabelung | Anschlussklemmen, Verbindungsstifte und Steckdosen auf Schmutz und Defekte kontrollieren. |
| | Netzversorgung | Die Ausgangsspannung der Stromversorgung an den Klemmleisten des Transmitters kontrollieren. Sie muss zwischen 9,5 und 28 V (Gleichstrom) betragen. |
| Unregelmäßiges Signalausgabe | Verkabelung | Die Ausgangsspannung der Stromversorgung an den Klemmleisten des Transmitters kontrollieren. Sie muss zwischen 9,5 und 28 V (Gleichstrom) betragen. Auf zwischenzeitliche Kurzschlüsse, offene Schaltkreise und Mehrfacherdung untersuchen. Polarität der Signalanschlussklemmen prüfen. |
| Geringes oder kein Ausgangssignal | Nullstellung | Während des Nullabgleichs gibt der PMT2 ein Signal von circa 3,5 mA aus. Circa 3 Minuten warten, bis das Signal wieder in ein normales Signal ausgibt, d.h. zwischen 4 und 20 mA. |
| | Verkabelung | Auf zwischenzeitliche Kurzschlüsse, offene Schaltkreise und Mehrfacherdung untersuchen. Polarität der Signalanschlussklemmen prüfen. Schleifenwiderstand kontrollieren. |

Tabelle 3: Fehlerbehebung

IS CONTROL DRAWING

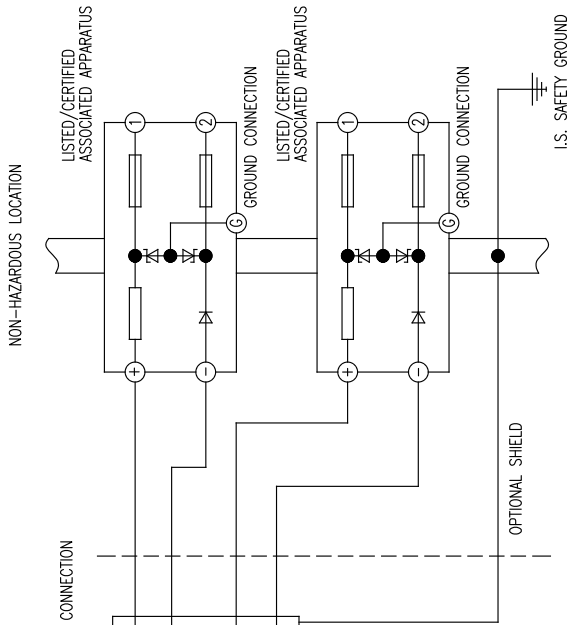
CATALOG NUMBERS:
PMT2-99-b-U2c

c IS BLANK OR ST (STAINLESS STEEL TAG)
b IS A (3/4 MNPT) OR B (1.5" TRI-CLAMP) PROCESS CONNECTION
aa IS TWO NUMERIC CHARACTERS 00 THRU 36

| TABLE 1: | |
|----------------|----------------------|
| U.S. EQUIPMENT | Associated Apparatus |
| Vmax (U) | Voc OR Vt (Uo) |
| Imax (I) | Isc OR It (Io) |
| Pmax (P) | Po |
| Li + Ccable | Ca (Co) |
| Li + Lcable | La (Lo) |

PMT2 SERIES TRANSMITTER
4 TO 20 mA SIGNAL
REMOTE ZERO
Vmax (U) = 28VDC
Imax (I) = 9.3mA
Ci = 0.022uF
Li = 0.373mH
Pmax (P) = 651mW

HAZARDOUS (CLASSIFIED) LOCATION INTRINSICALLY SAFE FOR:
CLASS I DIV. 1 GROUPS C, D
CLASS II DIV. 1 GROUPS E, F, G
CLASS III DIV. 1
CLASS 1 ZONE 0 AEx ia IIB T4 Ga
CLASS 1 ZONE 0 Ex ia IIB T4 Ga
T4 Ta = -40°C TO 63°C TYPE 4, IP 66
MAXIMUM PROCESS TEMPERATURE 120°C



1. SELECTED ASSOCIATED APPARATUS MUST BE THIRD PARTY LISTED AS PROVIDING INTRINSICALLY SAFE CIRCUITS FOR THE APPLICATION, AND HAVE Voc OR Vt NOT EXCEEDING Vmax (OR Uo NOT EXCEEDING U), Isc OR It NOT EXCEEDING I, AND THE Po OF THE ASSOCIATED APPARATUS MUST BE LESS THAN OR EQUAL TO THE Pmax OR Pi OF THE INTRINSICALLY SAFE EQUIPMENT, AS SHOWN IN TABLE 1.
2. ASSOCIATED APPARATUS OUTPUT CURRENT MUST BE LIMITED BY A RESISTOR SUCH THAT THE OUTPUT VOLTAGE-CURRENT PLOT IS A STRAIGHT LINE DRAWN BETWEEN OPEN-CIRCUIT VOLTAGE AND SHORT-CIRCUIT CURRENT.
3. CAPACITANCE AND INDUCTANCE OF THE FIELD WIRING FROM THE INTRINSICALLY SAFE EQUIPMENT TO THE ASSOCIATED APPARATUS SHALL BE CALCULATED AND MUST BE INCLUDED IN THE SYSTEM CALCULATIONS AS SHOWN IN TABLE 1. CABLE CAPACITANCE, Ccable, PLUS INTRINSICALLY SAFE EQUIPMENT CAPACITANCE, Ci, MUST BE LESS THAN THE MARKED CAPACITANCE, Ca (OR Co) SHOWN ON ANY ASSOCIATED APPARATUS USED. THE SAME APPLIES FOR INDUCTANCE (Lcable, Li AND Lo OR Lo RESPECTIVELY), WHERE THE CABLE CAPACITANCE AND INDUCTANCE PER FOOT ARE NOT KNOWN, THE FOLLOWING VALUES SHALL BE USED: Ccable = 60 PF/FT. (200 PF/M), Lcable = 0.2 uH/FT. (0.6 uH/M)
4. EQUIPMENT CONNECTED TO THE ASSOCIATED APPARATUS MUST NOT USE OR GENERATE MORE THAN 250 Vrms OR VDC.
5. 4 TO 20 mA SIGNAL AND REMOTE ZERO MUST BE TREATED AS SEPARATE INTRINSICALLY SAFE CIRCUITS.
6. WHERE MULTIPLE CIRCUITS EXTEND FROM THE SAME PIECE OF INTRINSICALLY SAFE EQUIPMENT TO ASSOCIATED APPARATUS, THEY MUST BE INSTALLED IN SEPARATE CABLES OR IN ONE CABLE HAVING SUITABLE INSULATION, REFER TO ARTICLE 504.30(B) OF THE NATIONAL ELECTRICAL CODE (ANSI/NFPA 70) FOR INSTALLATION IN THE UNITED STATES OR SECTION 18 OF THE CANADIAN ELECTRICAL CODE (CSA C22.1) FOR INSTALLATION IN CANADA AND INSTRUMENT SOCIETY OF AMERICA RECOMMENDED PRACTICE ISA RPT2.06 FOR INSTALLING INTRINSICALLY SAFE EQUIPMENT.
7. THE UL MARK APPLIES TO THE PRODUCT AS IT IS ORIGINALLY MANUFACTURED WHEN SHIPPED FROM THE FACTORY. AUTHORIZED USE OF THE UL MARK IS THE MANUFACTURER'S DECLARATION THAT THE PRODUCT WAS ORIGINALLY MANUFACTURED IN ACCORDANCE WITH THE APPLICABLE REQUIREMENTS. UL DOES NOT KNOW WHAT THE EFFECT OF A MODIFICATION MAY HAVE ON THE SAFETY OF THE PRODUCT OR THE CONTINUED VALIDITY OF THE UL CERTIFICATION MARK UNLESS THE FIELD MODIFICATIONS HAVE BEEN SPECIFICALLY INVESTIGATED BY UL. UNLESS UL INVESTIGATES A MODIFIED PRODUCT, UL CANNOT INDICATE THAT THE PRODUCT CONTINUES TO MEET UL'S SAFETY REQUIREMENTS.
8. THE ASSOCIATED APPARATUS MANUFACTURER'S INSTALLATION INSTRUCTIONS MUST BE FOLLOWED WHEN INSTALLING THE EQUIPMENT.
9. ALL OPENINGS TO ENCLOSURE MUST BE SEALED USING SUITABLE GLANDS AND/OR PLUG MAINTAINING A MINIMUM IP RATING OF IP60.
10. WARNING - ENCLOSURE PARTS ARE CONSTRUCTED OF ALUMINUM. ENCLOSURE MUST BE PROTECTED FROM IGNITION HAZARD DUE TO IMPACT OR FRICTION.
11. WARNING - SUBSTITUTION OF COMPONENTS MAY IMPAIR INTRINSIC SAFETY.
12. WARNING - TO PREVENT IGNITION OF FLAMMABLE OR COMBUSTIBLE ATMOSPHERES, READ, UNDERSTAND AND ADHERE TO THE MANUFACTURER'S LIVE MAINTENANCE PROCEDURES.

STANDARDS:
AS REFERENCE BY UL 913 - 8th EDITION
UL 60079-0 - 6th EDITION
UL 60079-11 - 6th EDITION

CAN/CSA C22.2 NO. 157-92:12
CAN/CSA C22.2 NO. 60079-0:11
CAN/CSA C22.2 NO. 60079-11:14

| SCALE 1:2 | |
|--|----------|
| DATE | 12-23-14 |
| DWN BY | DMK/KAS |
| CHKD | HMS |
| APPRD | DMK |
| BY/DATE | |
| CHANGES | |
| NO. | |
| <p>NOTE: This drawing and the principles and elements of design embodied therein are the exclusive property of DWYER INSTRUMENTS, INC. and are not to be communicated, disseminated, reproduced or used in any way without the express written consent of DWYER INSTRUMENTS, INC. and are not to be submitted for examination without the written consent of said corporation.</p> | |
| DATE | AS02002 |
| 3 | |

| DATE | NAME |
|----------|--------------------|
| 12-23-14 | IS CONTROL DRAWING |
| | PMT2 |

| MATERIAL |
|----------|
| FINISH |

DWYER INSTRUMENTS, INC.
MICHIGAN CITY, INDIANA 46360 U.S.A.

FR. NO. 001744-48

IS CONTROL DRAWING
ATEX/IECEX

CATALOG NUMBERS:
PMT2-gg-b-AZc

OPTIONS

- BLANK - NONE
- M2 - M20 ELECTRICAL ENTRIES
- ST - STAINLESS STEEL TAG

PROCESS CONNECTION

- A - 3/4" MALE NPT
- B - 1.5" TRI-CLAMP WITH 1" NPT MALE
- C - 3/4" MALE BSPT
- D - 1.5" TRI-CLAMP WITH 1" BSPT

PROBE LENGTH - TWO NUMERIC CHARACTERS

| U.S. EQUIPMENT | Associated Apparatus |
|----------------|----------------------|
| Vmax (U) | Voc OR Vt (Uo) |
| Imax (I) | Isc OR It (Io) |
| Pmax (P) | Po |
| Ct + Ccable | Ca (Co) |
| Lt + Lcable | La (Lo) |

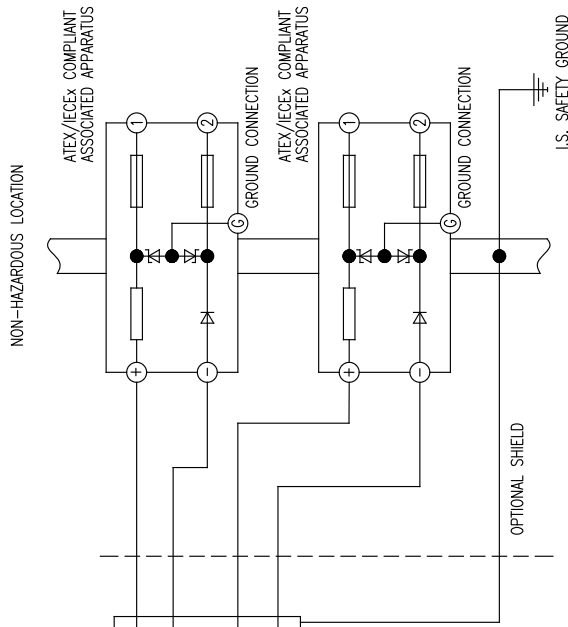
TABLE 1:
PMT2 SERIES TRANSMITTER
4 TO 20 mA SIGNAL
REMOTE ZERO
Vmax (U) = 28VDC
Imax (I) = 9.3mA
Ct = 0.022uF
Lt = 0.373mH
Pmax (P) = 651mW

ATEX CLASSIFICATION: $\text{II 1 G Ex ia IIB T4 Ga}$ ($-40^{\circ}\text{C} \leq \text{Tamb} \leq 63^{\circ}\text{C}$) ($-40^{\circ} \leq \text{Tprocess} \leq 120^{\circ}\text{C}$)
 $\text{II 1 D Ex ia IIIC T120^{\circ}\text{C Da}}$ ($-40^{\circ}\text{C} \leq \text{Tamb} \leq 63^{\circ}\text{C}$) ($-40^{\circ} \leq \text{Tprocess} \leq 120^{\circ}\text{C}$)
 IECEX CLASSIFICATION: Ex ia IIB T4 Ga ($-40^{\circ}\text{C} \leq \text{Tamb} \leq 63^{\circ}\text{C}$) ($-40^{\circ} \leq \text{Tprocess} \leq 120^{\circ}\text{C}$)
 $\text{Ex ia IIIC T120^{\circ}\text{C Da}}$ ($-40^{\circ}\text{C} \leq \text{Tamb} \leq 63^{\circ}\text{C}$) ($-40^{\circ} \leq \text{Tprocess} \leq 120^{\circ}\text{C}$)

1. SELECTED ASSOCIATED APPARATUS MUST BE THIRD PARTY CERTIFIED AS PROVIDING INTRINSICALLY SAFE CIRCUITS FOR THE APPLICATION, AND HAVE Voc OR Vt NOT EXCEEDING Vmax (OR Uo NOT EXCEEDING U), Isc OR It NOT EXCEEDING Imax (OR Io NOT EXCEEDING I), AND THE Po OF THE ASSOCIATED APPARATUS MUST BE LESS THAN OR EQUAL TO THE Pmax OR Pt OF THE INTRINSICALLY SAFE EQUIPMENT, AS SHOWN IN TABLE 1
2. EQUIPMENT CONNECTED TO THE ASSOCIATED APPARATUS MUST NOT USE OR GENERATE MORE THAN 250 Vrms OR VDC.
3. 4 TO 20 mA SIGNAL AND REMOTE ZERO MUST BE TREATED AS SEPARATE INTRINSICALLY SAFE CIRCUITS.
4. THE ASSOCIATED APPARATUS MANUFACTURER'S INSTALLATION INSTRUCTIONS MUST BE FOLLOWED WHEN INSTALLING THE EQUIPMENT.
5. WARNING - ENCLOSURE SHALL BE SEALED BY CABLE ENTRY DEVICE AND BLANKING ELEMENT; CABLE ENTRY DEVICE AND BLANKING ELEMENT SHALL BE CERTIFIED Ex d OR Ex e WITH A IP66 RATING MINIMUM AND 89.4°C MINIMUM SERVICE TEMPERATURE.
6. WARNING - ALL FIELD WIRING SHALL BE SUITABLE FOR AN AMBIENT TEMPERATURE RANGE OF -40°C TO 89.4°C .
7. WARNING - ENCLOSURE PARTS ARE CONSTRUCTED OF ALUMINUM. ENCLOSURE MUST BE PROTECTED FROM IGNITION HAZARD DUE TO IMPACT OR FRICTION.
8. WARNING - SUBSTITUTION OF COMPONENTS MAY IMPAIR INTRINSIC SAFETY.
9. WARNING - TO PREVENT IGNITION OF FLAMMABLE OR COMBUSTIBLE ATMOSPHERES, READ, UNDERSTAND AND ADHERE TO THE MANUFACTURER'S LIVE MAINTENANCE PROCEDURES.
10. NO REVISIONS TO THIS DRAWING WITHOUT PRIOR APPROVAL BY UL/DEMCO.

ATEX STANDARDS: EN 60079-0:2012/A11:2013
EN 60079-11: 2012

IECEX STANDARDS: IEC 60079-0: 2011/ISH1:2014
IEC 60079-11: 2011/SH1:2014



⊕ = CRITICAL DIMENSION
DIMENSIONS IN PARENTHESES UNLESS NOTED:
ALL DIMENSIONS IN mm
ALL ANGLES ± 1°

| | | | | | |
|---|----------|--|-----|----------|--|
| SCALE 1:2 | | IS CONTROL DRAWING ATEX/IECEX PMT2 | | MATERIAL | |
| DATE | 09-15-16 | NAME | | FINISH | |
| OWN BY | KAS | CHKD | CAT | | |
| APFD | DWK | BY/DATE | | | |
| NO. | | CHANGES | | | |
| NOTICE: This drawing and the principles and elements of design embodied therein are the exclusive property of DWYER INSTRUMENTS, INC. and are not to be communicated, disseminated, reproduced or used, in whole or in part, without the express written consent of DWYER INSTRUMENTS, INC. and must not be submitted to outside parties for examination without the written consent of DWYER INSTRUMENTS, INC. | | | | | |
| ACAD0002 | | | | 3 | |

DWYER INSTRUMENTS, INC.
MICHIGAN CITY, INDIANA 46360 U.S.A.
FR. NO. 001744-81



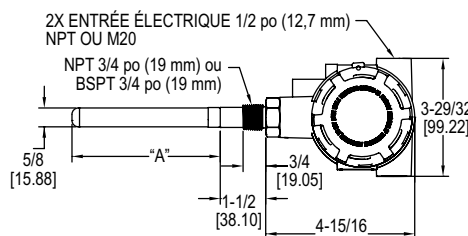
Sonde-émetteur à particules série PMT2

Spécifications - Installation et mode d'emploi

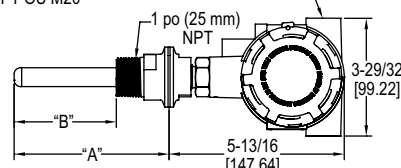


| BAGUE DE RACCORDEMENT FILETÉE | |
|-------------------------------|-------------|
| Sonde | A |
| Longueur | po [mm] |
| 3 po | 3 [76.20] |
| 5 po | 5 [127.00] |
| 10 po | 10 [254.00] |
| 15 po | 15 [381.00] |
| 20 po | 20 [508.00] |
| 30 po | 30 [762.00] |
| 36 po | 36 [914.40] |

| BAGUE DE RACCORDEMENT À TROIS BROCHES 1,5 po (38 mm) | | |
|--|-----------------|-------------------|
| Sonde | A | B |
| Longueur | po [mm] | po [mm] |
| 3 po | 3-1/2 [88.90] | 1-25/32 [45.24] |
| 5 po | 5-1/2 [139.70] | 3-25/32 [96.04] |
| 10 po | 10-1/2 [266.70] | 8-25/32 [223.04] |
| 15 po | 15-1/2 [393.70] | 13-25/32 [350.04] |
| 20 po | 20-1/2 [520.70] | 18-25/32 [477.04] |
| 30 po | 30-1/2 [744.70] | 28-25/32 [731.04] |
| 36 po | 36-1/2 [927.10] | 34-25/32 [883.44] |

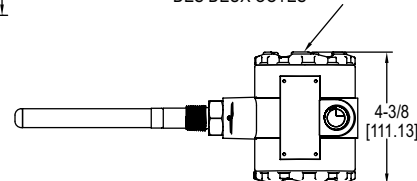


Bague de raccordement mâle NPT 3/4 po (19 mm) ou mâle BSPT 3/4 po (19 mm)
2X ENTRÉE ÉLECTRIQUE 1/2 po (12,7 mm)
NPT OU M20



Bague de raccordement à trois broches
1,5 po (38 mm)

PRÉVOIR 1-1/4 po (32 mm) [32]
POUR LE RETRAIT DU COUVERCLE
DES DEUX CÔTÉS



La sonde-émetteur à particules **SÉRIE PMT2** est prévu pour mesurer les taux d'émission de particules à la sortie des filtres à poussière. La sonde-émetteur utilise une technologie de détection à induction électrostatique couplée en CC pour mesurer un courant en pA généré lorsque les particules passent à proximité de la sonde ; un signal entre 4 et 20 mA varie selon le taux de particules. Le PMT2 propose 6 plages de sensibilité pour permettre à l'utilisateur de choisir la plage qui correspond le mieux à son utilisation. Le sélecteur de plage et de test peut également être positionné pour envoyer un signal de 4 mA ou 20 mA pour aider au paramétrage ou à la recherche de panne. Le paramétrage du calcul de temps moyen peut être utilisé pour lisser le signal si nécessaire.

FONCTIONNALITÉS/AVANTAGES

- Installation simple à 2 câbles pour le PLC et les panneaux de contrôle.
- Une sonde recouverte de PTFE antiadhésif pour éviter les lectures faussées à cause de l'humidité et des poussières conductrices, la condensation et l'accumulation de poussière,
- La réinitialisation à distance permet de réduire le temps de maintenance

TABLEAU DU MODÈLE

| Exemple | PMT2 | -05 | -A | -U2 | PMT2-05-A-U2 |
|---------------------------------|------|-----|-------------|----------|--|
| Séries | PMT2 | | | | Émetteur-sonde à particules |
| Longueur de sonde | | 03 | | | 3 po (76.20 mm) longueur de sonde |
| | | 05 | | | 5 po (127 mm) longueur de sonde |
| | | 10 | | | 10 po (254 mm) longueur de sonde |
| | | 15 | | | 15 po (381 mm) longueur de sonde |
| | | 20 | | | 20 po (508 mm) longueur de sonde |
| | | 30 | | | 30 po (762 mm) longueur de sonde |
| | | 36 | | | 36 po (914 mm) longueur de sonde |
| Processus de raccordement | | | A B C | | Raccord mâle NPT 3/4 po (19 mm) Kit trois broches 1,5 po (38 mm) avec raccord mâle NPT 1 po (25 mm) Raccord mâle NPT 3/4 po (19 mm) |
| Indice de protection du boîtier | | | | A2 U2 | ATEX et IECEx (IS) UL (IS)* |
| Options | | | | ST M2 | Étiquette en acier inoxydable Entrées électriques femelles M20 (femelle 1/2 po (12,7 mm) NPT standard) |

* Options qui ne sont pas homologuées ATEX ou IECEx.

Attention : Les unités qui ne comportent pas le marquage A2 ne satisfont pas aux exigences de la Directive 2014/34/EC (ATEX). Ces unités ne sont pas conçues pour une utilisation en atmosphère potentiellement dangereuses au sein de l'Union Européenne. Ces unités peuvent être estampillées CE pour d'autres Directives de l'Union Européenne.

SPÉCIFICATIONS

Service : Air et gaz compatibles, tout type de particules conductrices ou non-conductrices.

Matériaux mouillés : 316L SS, silicone, et PTFE.

Boîtier : Aluminium recouvert d'une couche conductrice.

Précision : ±5% du résultat.

Taille des particules : 0,3 microns et plus.

Plage de détection : 5 à 5000 pA (6 options de plage possibles).

Limites de température : ambiante : -40 à 145°F (-40 à 63°C) ; en fonction : -40 à 248°F (-40 à 120°C).

Limite de pression : 2 psi (30 bar).

Signal en sortie : 4 à 20 mA.

Puissance électrique nécessaire : 12 à 28 VCC (---).

Raccordement électrique : Deux entrées électriques femelles 1/2 po (12,7 mm) NPT ou deux entrées électriques M20 (marquage A2 uniquement).

Bornier : Amovible (câble de 16 à 20 AWG).

Processus de raccordement : Voir le tableau du modèle. Les processus de raccordement BSPT ne sont pas enregistrés UL.

Longueurs de sonde : Voir le tableau du modèle.

Indice de protection du boîtier : UL Type 4 (IP66) ATEX/IECEx IP65.

Orientation de montage : Indifférente.

Durée moyenne : 1 à 360 s (10 options possibles).

Poids : Variable selon la longueur de la sonde et le type de raccord.

Homologations : CE, cULus; conforme ATEX: C 0518 0 II 1 G Ex ia IIB T4 Ga (-40°C ≤ Tamb ≤ 63°C) (-40°C ≤ T_{Process} ≤ 120°C) / II 1 D Ex ia IIIC T120°C Da (-40°C ≤ Tamb ≤ 63°C) (-40°C ≤ T_{Process} ≤ 120°C). Certificat n° : DEMKO 16ATEX1768 X. Normes ATEX : EN 60079-0:2012/A11:2013; EN 60079-11:2012. Certifié IECEx : Ex ia IIB T4 Ga (-40°C ≤ Tamb ≤ 63°C) (-40°C ≤ T_{Process} ≤ 120°C) / Ex ia IIIC T120°C Da (-40°C ≤ Tamb ≤ 63°C) (-40°C ≤ T_{Process} ≤ 120°C).

Certificat de conformité : IECEx UL 16.013X. Normes IECEx : IEC 60079-0: 2011; IEC 60079-11: 2011. Enregistré UL comme intrinsèquement sûr pour la classe I, groupes C et D ; la classe II, groupes E, F et G ; la classe III ; la classe I zone 0 AEx ia IIB T4 Ga ; la classe I zone 0 Ex ia IIB T4 Ga.

PRINCIPE DE FONCTIONNEMENT

Technologie

Le PMT2 utilise une technologie de détection à induction électrostatique couplée en CC extrêmement fiable. La sonde de détection est installée sur un passage d'air comme un tuyau, une conduite ou cheminée. L'effet d'induction se produit lorsque des particules passent à proximité de la sonde transférant une charge de la particule à la sonde. Un microprocesseur filtre et traite le signal pour renvoyer un résultat linéaire de la concentration globale en particules.

La sonde recouverte de PTFE garanti un fonctionnement fiable avec tous les types de particules y compris les poudres humides et les poussières hautement conductrices. La sonde recouverte de PTFE élimine la nécessité de purge d'air et permet une maintenance minimum.

Surveillance des particules

Le PMT2 est spécialement conçu pour surveiller les niveaux de particules en continu dans le flux d'air des cheminées ou autres points d'émission après le passage à travers le filtre d'un système de filtration de l'air. L'émetteur doit être installé dans le conduit d'évacuation et peut être utilisé conjointement avec différents types de filtres à sac, céramique, à cartouche ou cyclonique. Lors de la première installation du PMT2 une mesure du niveau de référence moyen doit être effectuée et enregistrée. Cette mesure du niveau de référence dépend de l'utilisation et doit être mesurée indépendamment pour chaque installation. L'opérateur surveillera le signal en sortie du PMT2 par rapport à ce niveau de référence. L'élévation du signal en mA indique un niveau de particules en augmentation dans le flux d'air qui signifie que les filtres sont soit usagés soit brisés.

Le PMT2 est prévu pour donner un signal proportionnel basé sur le niveau de particules dans une conduite ou un tuyau, il n'est pas prévu pour sortir un signal basé sur le flux volumétrique de particules. Les différents types de particules transportent différentes charges, ce qui signifie que deux particules transportées au même débit volumétrique pourraient donner lieu à un signal différent. Le PMT2 est prévu pour identifier un niveau de référence dans les conditions de fonctionnement idéales et permettre à l'opérateur de surveiller les hausses du signal en sortie qui signifieraient que les sacs ou les filtres commencent à se dégrader ou à se briser. Les six plages de sensibilité permettent au PMT2 de surveiller aussi bien des particules à charge basse que des particules à charge haute. À titre de référence, le tableau 1 liste les charges des particules et les plages suggérées.

| | Particules | Plage suggérée |
|---------------------------------|--------------------|----------------|
| Positif | Mains humaines | 5 à 5000 pA |
| | Amiante | |
| | Fouurrure de lapin | 5 à 1000 pA |
| | Acétate | |
| | Verre | |
| | Mica | |
| | Poils humains | 5 à 500 pA |
| | Nylon | |
| | Bois | |
| | Fouurrure | |
| Plomb | | |
| Soie | | |
| Neutre | Aluminium | 5 à 100 pA |
| | Papier | |
| | Coton | 5 à 500 pA |
| | Acier | |
| | Bois | |
| | Mylar™ | |
| | Nickel/cuivre | |
| | Argent/laiton | |
| | Or/platine | |
| | Souffre | |
| Acétate de cellulose | 5 à 1000 pA | |
| Polyester | | |
| Styrène (mousse de polystyrène) | | |
| Acrylique | | |
| Saran™ | | |
| Polyuréthane | | |
| Négatif | Polyéthylène | 5 à 5000 pA |
| | Polypropylène | |
| | Vinyle (PVC) | |
| | Silicone | |
| | PTFE | |
| | Gomme de silicone | |

Tableau 1 : plages suggérées

INSTALLATION

Déballage

Retirer le PMT2 de son carton de transport et vérifier l'absence de dommage. En cas de dommage, informez immédiatement le transporteur.

Emplacement

Les facteurs suivants doivent être pris en compte pour déterminer l'emplacement de l'installation du PMT2 :

- Vérifier que l'émetteur est adapté pour la classification de la zone où il sera installé.
- Installer l'émetteur à un emplacement qui ne dépassera pas les niveaux de température et de pression figurant dans les caractéristiques. La pression en fonctionnement ne doit pas dépasser 30 psi (2 bar)
- Vérifier que les câbles de 4 à 20 mA ne sont pas installés dans la même gaine que les câbles haute tension.
- Vérifier que l'emplacement où l'émetteur est installé est conforme aux niveaux NEMA et IP pour le boîtier.
- Installer l'émetteur à un endroit où il peut être facilement accessible si un entretien est nécessaire

Le PMT2 doit être monté dans une cheminée, un tuyau ou une conduite métallique stabilisé. Il ne doit pas être monté sur des cheminées, tuyaux ou conduites en plastique ou en fibre de verre. La sonde de détection doit se situer entre 1/2 et 2/3 de la longueur de la cheminée, tuyau ou conduite pour assurer des résultats précis. Pour les résultats les plus fiables possibles il est recommandé d'installer le PMT2 dans un endroit où le flux d'air est aussi laminaire que possible. Eviter de monter l'émetteur à proximité de souffleries et de régulateurs qui causent des turbulences. Idéalement, monter le PMT2 dans une zone avec deux diamètres de conduite de flux montant et un diamètre de conduite de flux descendant, libres de tout objet pouvant causer des turbulences. La sonde de détection est en PTFE antiadhésif pour éviter que des matières ne recouvrent la sonde, réduisant la nécessité de nettoyage ou de purge d'air.

CÂBLAGE

AVIS

- Toujours installer ou entretenir le dispositif en position hors tension et installer un verrou de déconnexion si nécessaire
- Utiliser uniquement des câbles en cuivre de 16 à 20 AWG pour les connexions de ligne et de charge. L'installation doit être effectuée en conformité avec les codes et les réglementations locales tels que le Code Électrique National
- Le degré de protection TYPE 4 (IP66) est maintenu lorsque les prises/écrous adaptés sont utilisés avec les modèles enregistrés UL.

AVERTISSEMENT

EMPLACEMENTS À RISQUE

Les précautions suivantes doivent être prises pour éviter l'embrasement d'emplacements à risque :

- Toujours laisser le couvercle du dispositif solidement fermé pendant le fonctionnement
- Mettre le circuit hors tension avant d'ouvrir le couvercle du dispositif
- Replacer le couvercle du dispositif avant de remettre le circuit électrique sous tension
- Le dispositif ne peut pas être réparé par l'utilisateur et doit être renvoyé à Dwyer Instruments si une réparation est nécessaire

AVERTISSEMENT

CONDITION D'UTILISATION SPÉCIFIQUES À LA SÉCURITÉ INTRINSÈQUE

Les précautions suivantes doivent être prises afin de

préserver la sécurité intrinsèque :

- le signal de 4 à 20 mA et la réinitialisation à distance doivent être traités comme des circuits séparés.
- Les éléments du boîtier sont en aluminium. Le boîtier doit être protégé contre le risque d'incendie lié aux chocs ou aux frottements.
- Toutes les ouvertures du boîtier doivent être fixées avec les écrous et/ou les prises adaptés pour maintenir un niveau d'IP de IP66 pour les modèles homologués UL et de IP65 les modèles conformes ATEX/IECEz
- Le remplacement de pièces peut nuire à la sécurité intrinsèque.

SCHÉMA DE CONTRÔLE DE SÉCURITÉ INTRINSÈQUE ENREGISTRÉ UL (SUFFIXE U2) :

Enregistré UL comme intrinsèquement sûrs pour l'utilisation en classe I div. 1 groupes C et D ; classe II div. 1 groupes E, F et G ; classe III div. 1 ; classe I zone 0 AEx ia IIB T4 Ga ; classe I zone 0 Ex ia IIB T4 Ga ; T4@63°C si installé en conformité avec le schéma de contrôle 001744-48 de la page 6 du présent document.

CONFORME ATEX (MARQUAGE A2)

II 1 G Ex ia IIB T4 Ga (-40°C ≤ Tamb ≤ 63°C) (-40°C ≤ T_{Process} ≤ 120°C) / II 1 D Ex ia IIIC T120°C Da (-40°C ≤ Tamb ≤ 63°C) (-40°C ≤ T_{Process} ≤ 120°C) si installé en conformité avec le schéma de contrôle 001744-81 de la page 7 du présent document.

CONFORME IECEx (MARQUAGE A2)

Ex ia IIB T4 Ga (-40°C ≤ Tamb ≤ 63°C) (-40°C ≤ T_{Process} ≤ 120°C) / Ex ia IIIC T120°C Da (-40°C ≤ Tamb ≤ 63°C) (-40°C ≤ T_{Process} ≤ 120°C) si installé en conformité avec le schéma de contrôle 001744-81 de la page 7 du présent document.

PARAMÈTRES ENTRANTS DE SÉCURITÉ INTRINSÈQUE :

Signal de 4-20 mA, V_{max} (U_i) = 28 V ; I_{max} (I_i) = 93 mA ; C_i = .022 µF ; L_i = 0.373 mH ; P_{max} (P_i) = 651 mW
 Réinitialisation à distance, V_{max} (U_i) = 28 V ; I_{max} (I_i) = 93 mA ; C_i = négligeable ; L_i = 0 mH ; P_{max} (P_i) = 651 mW

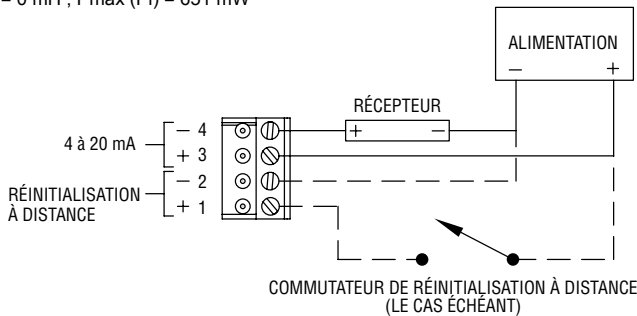


Figure 1 : câblage général pour l'installation (non IS)

ALIMENTATION ÉLECTRIQUE REQUISE

La tension d'alimentation CC maximale est de 28 V. La tension d'alimentation CC minimale nécessaire est basée sur les indications suivantes :

1. Tension minimum CC pour le modèle PMT2.
2. Résistance totale de charge.
3. Résistance totale du câble en plomb.
4. Baisse de tension de la barrière Zener (Modèle PMT2-XX-X-X2 uniquement).

La formule pour calculer la tension d'alimentation CC est :
 $VCC = VPMT2 + VLOAD + VLEADWIRE + VBARRIER$

Où VPMT2 = 9,5 V

VLOAD = résistance totale de charge X 20 mA

VLEADWIRE = résistance totale du câble en plomb X 20 mA

VBARRIER = 8,1 V (baisse de tension classique de la barrière Zener pour ce type d'utilisation)

Exemple 1 : Calcul de la tension minimum d'alimentation CC pour les modèles intrinsèquement sûrs

Étape 1 VPMT2 = 9,5 V

Étape 2 Calcul du VLOAD. En utilisant les résistances de conversion standard de l'industrie 250 Ω, VLOAD = 250 X 20 mA = 5

Étape 3 calcul du VLEADWIRE. Cet exemple part du principe que la résistance des câbles en plomb est de 10 Ω, VLEADWIRE = 10 X 20 mA = 0.2 V

Étape 4 VBARRIER = 8,1 V

Étape 5 VDC = VPMT2 + VLOAD + VLEADWIRE + VBARRIER = 9.5 + 5 + 0.2 + 8.1 = 22.8 V

CONTRÔLES

AVERTISSEMENT

PROCÉDURE DE MAINTENANCE EN FONCTIONNEMENT

La maintenance en fonctionnement pour la réinitialisation, la moyenne de durée, le contrôle des plages et des tests ne peuvent pas être effectués en atmosphère inflammable ou combustible.

Commutateur de réinitialisation (voir figure 2)

Maintenir le commutateur enfoncé pendant 3 secondes et le PMT2 se réinitialisera numériquement. Il est recommandé de réinitialisation après un problème ou un remplacement de filtre. La réinitialisation doit uniquement être effectuée lorsqu'il n'y a pas de flux d'air dans la conduite.

Commutateur de sélection de durée moyenne

Le PMT2 fait la moyenne des niveaux en sortie sur la durée sélectionnée. Cela aura pour effet de lisser les crêtes du signal apparues pendant les cycles normaux de nettoyage des filtres.

Commutateur de sélection des plages et de test

Il y a 6 plages de sensibilité qui peuvent être choisies selon les matériaux que le PMT2 va détecter (voir tableau 1). Il existe également une option pour sortir un signal à 4 mA ou 20 mA ; ces options peuvent aider lors de l'installation de l'émetteur ou pour la détection de panne.

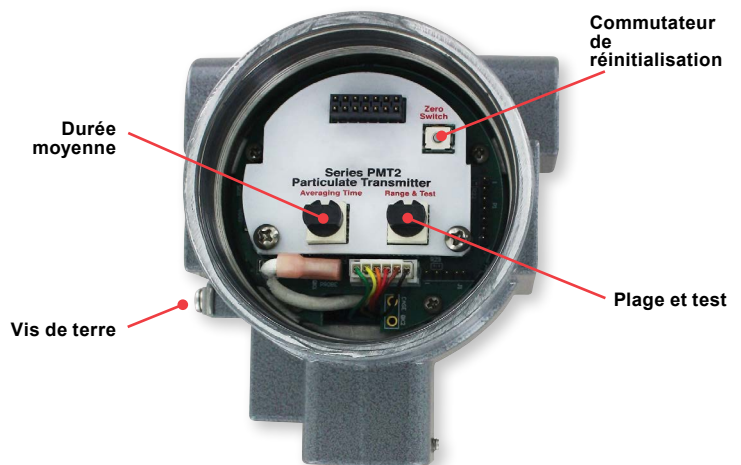


Figure 2

PARAMÉTRAGE

Installation

Vérifier que le PMT2 est solidement fixé sur la cheminée, le tuyau ou la conduite pour éviter les vibrations durant le fonctionnement. Vérifier que l'émetteur est correctement fermé.

Paramétrage du signal de contrôle

Vérifier le câblage de l'alimentation électrique pour s'assurer que la polarité est correcte avant de mettre le PMT2 sous tension. Mettre l'émetteur sous tension et tourner le sélecteur de plage et de test vers 4 mA (position 2). Le PMT doit envoyer 4 mA, vérifier la sortie avec un multimètre ou sur le dispositif qui reçoit le signal (PLC, écran, etc.). Une fois la réception du signal de 4 mA vérifiée, basculer le sélecteur de plage et de test sur 20 mA (position 1) et répéter le processus. Si la sortie est 0 mA, vérifier que le système est sous tension et vérifier s'il y a des câbles débranchés.

Sélection de plage et test

Lors de la sélection de l'une des 6 plages disponibles, le niveau de référence et les crêtes de signal maximales qui apparaissent lors du nettoyage des filtres doivent être pris en compte. Les plages sélectionnées doivent avoir une résolution suffisante pour surveiller le niveau de référence et capter les crêtes maximales pendant un cycle de nettoyage. Les quatre plages linéaires envoient 4 mA à 5 pA et 20 mA à la plage maximale. Les deux plages logarithmiques ont une résolution plus fine à l'extrémité basse de la plage et moins fine à l'extrémité haute.

| Position du commutateur | Plage | Sortie |
|-------------------------|-----------------|---|
| 1 | Test | 20 mA |
| 2 | Test | 4 mA |
| 3 | 5 à 100 pA | 5 pA = 4 mA 25 pA = 8 mA 50 pA = 12 mA 75 pA = 16 mA 100 pA = 20 mA |
| 4 | 5 à 500 pA | 5 pA = 4 mA 125 pA = 8 mA 250 pA = 12 mA 375 pA = 16 mA 500 pA = 20 mA |
| 5 | 5 à 1000 pA | 5 pA = 4 mA 250 pA = 8 mA 500 pA = 12 mA 750 pA = 16 mA 1000 pA = 20 mA |
| 6 | 5 à 5000 pA | 5 pA = 4 mA 1250 pA = 8 mA 250 pA = 12 mA 3750 pA = 16 mA 5000 pA = 20 mA |
| 7 | Log 5 à 500 pA | 5 pA = 4 mA 16 pA = 8 mA 50 pA = 12 mA 158 pA = 16 mA 500 pA = 20 mA |
| 8 | Log 5 à 5000 pA | 5 pA = 4 mA 28 pA = 8 mA 158 pA = 12 mA 890 pA = 16 mA 5000 pA = 20 mA |

Remarque : les positions 9 et 0 ne sont pas utilisées.

Tableau 2 : commutateur de plage et de test

PLAGES LOGARITHMIQUES

Les plages logarithmiques permettent de prolonger l'extrémité basse de l'échelle alors que l'extrémité haute est compressée. Ceci offre une meilleure résolution pour la surveillance du niveau de référence et permet tout de même à l'opérateur de voir les crêtes de particules pendant les cycles de nettoyage. Les plages logarithmiques sont recommandées pour les filtres à sac qui n'ont pas une grande tendance à générer des crêtes de particules pendant les cycles de nettoyage.

ÉQUATIONS DES PLAGES LOGARITHMIQUES

$$pA = 10 \left(\frac{(M-4)}{16} \times R + 0,699 \right)$$

pA = (pA) Pico ampères mesurés

M = (mA) Milliampères mesurés depuis le PMT2

R = 2 (pour la plage logarithmique de 5 à 500 pA)

R = 3 (pour la plage logarithmique de 5 à 5000 pA)

Exemple 1 : Plage logarithmique de 5 à 500 pA avec une sortie actuelle à 12 mA :

$$pA = 10 \left(\frac{(12-4)}{16} \times 2 + 0,699 \right)$$

pA = 50

Exemple 2 : Plage logarithmique de 5 à 5000 pA avec une sortie actuelle à 14 mA :

$$pA = 10 \left(\frac{(14-4)}{16} \times 3 + 0,699 \right)$$

pA = 375

PARAMÉTRER LES ALERTES DE NIVEAU D'ÉMISSION

Le PMT2 fournira un signal de 4 à 20 mA selon la plage choisie lors du paramétrage. Des alertes peuvent être programmées dans le PLC ou le système de contrôle sur la base d'un signal de 4 à 20 mA en provenance de la sonde-émetteur à particules.

Il est recommandé de paramétrer deux points d'alerte. Un point d'alerte pour surveiller les pics d'émission et le second pour détecter une augmentation par rapport au niveau de référence.

L'alerte de surveillance des pics d'émission doit être paramétrée pour identifier les changements dans les crêtes dues aux cycles de nettoyage. Lorsque les filtres commencent à s'user, la hauteur des crêtes et leur durée augmente. La fréquence des pics d'émission augmentera également puisque les filtres auront besoin d'un nettoyage plus fréquent au fur et à mesure de leur usure. En cas de signal continu au-dessus du seuil d'alerte de pic d'émission, il est plus que probable qu'un filtre se soit déchiré et doit être remplacé immédiatement.

L'alarme du niveau de référence doit détecter une augmentation dans la mesure du niveau de référence. Le type de collecteur de poussière et la réglementation des locaux dicteront à quel niveau positionner l'alerte du niveau de référence. Typiquement, l'alerte de niveau de référence doit être positionnée 4 à 5 fois au-dessus de la première mesure du niveau de référence lors de l'installation des filtres. Donc si le niveau de référence est 10 pA, l'alerte de niveau de référence doit être positionnée entre 40 pA et 50 pA. Il est recommandé de paramétrer un délai dans le PLC ou le panneau de contrôle pour éviter les fausses alertes pendant les cycles de nettoyage. Lorsque le signal en sortie du PMT2 est continuellement au-dessus du niveau d'alerte de référence, il est temps de remplacer les filtres. Si les pics d'émission ont augmenté alors que le niveau de référence reste inchangé, il s'agit d'une indication précoce que les filtres commencent à s'user et qu'ils devront être changés dans peu de temps.

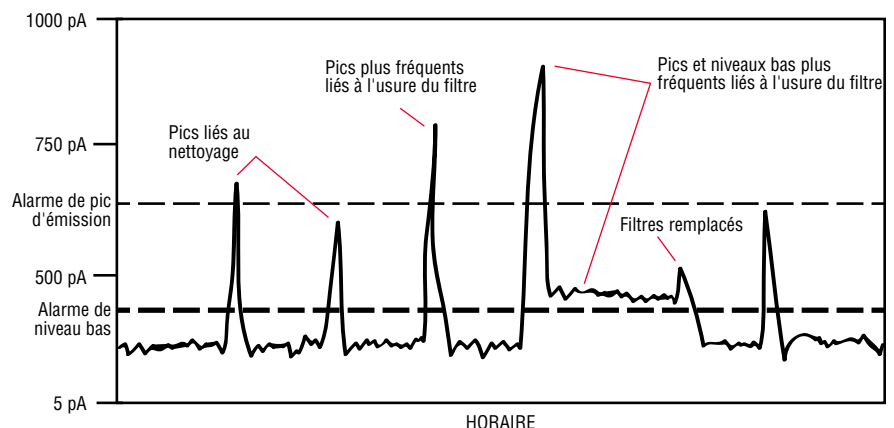


Figure 3 : émissions typiques de filtres

SÉLECTION DE CALCUL DE MOYENNE

Le PMT2 dispose d'une fonction numérique de calcul de moyenne du fait du flux irrégulier de particules et des crêtes durant les cycles de nettoyage. Il y a dix options pour le calcul de moyenne allant de 1 à 360 secondes. Le calcul numérique de moyenne prend la moyenne glissante des lectures pour la durée sélectionnée. Cela va lisser les crêtes du signal liées aux fluctuations de particules qui pourraient fausser le paramétrage des alertes. Il est important de sélectionner des paramètres de calcul de moyenne qui permettront à l'opérateur de visualiser les cycles de nettoyage. Il est recommandé de surveiller le niveau de référence et la tendance de crête à crête entre les cycles de nettoyage.

RÉGLAGE DU ZÉRO

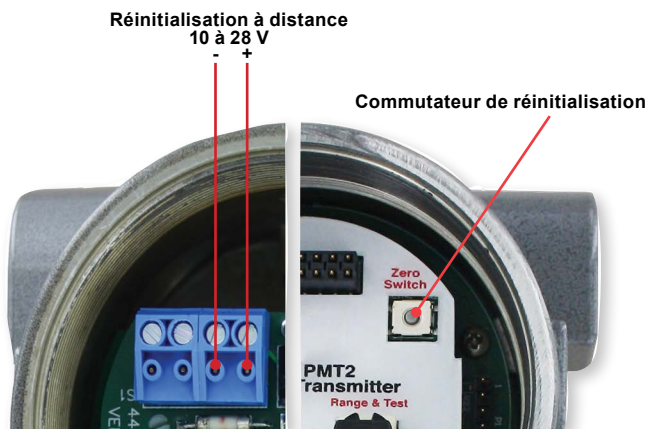
Même si le PMT2 est initialisé en usine, il est recommandé de réinitialiser l'émetteur après l'installation pour assurer la meilleure précision possible. Lors de la réinitialisation du PMT2, vérifier que le collecteur de poussière est fermé et qu'il n'y a pas de flux d'air dans la conduite, la cheminée ou le tuyau que l'émetteur surveille. Il est recommandé de réinitialiser PMT2 une fois tous les 12 mois pour des performances optimales. Merci de vérifier la réglementation locale et les lois en vigueur ; en effet, les normes sur la propreté de l'air peuvent imposer une réinitialisation selon un calendrier donné en fonction de l'utilisation. Il y a deux façons de réinitialiser le PMT2. La première méthode consiste à utiliser le commutateur de réinitialisation à l'avant de l'émetteur. Maintenir le commutateur enfoncé pendant 3 secondes et l'émetteur commencera sa réinitialisation. La seconde méthode consiste à utiliser la réinitialisation à distance. Envoyer la tension CC comme indiqué sur la figure 4 dans la borne de réinitialisation située à l'arrière de l'émetteur pendant au moins 3 secondes pour que l'émetteur commence sa réinitialisation. Pendant que l'émetteur se réinitialise, le PMT2 enverra environ 3,5 mA. La fonction de réinitialisation dure environ 3 minutes. Lorsque la réinitialisation est terminée, le signal redevient normal et l'émetteur est prêt à fonctionner.

MAINTENANCE/REPARATION

Après l'installation finale du PMT2 Série, aucune maintenance de routine n'est nécessaire. Le PMT2 série ne peut pas être entretenu sur place et doit être renvoyé si une réparation est nécessaire. Aucune tentative de réparation sur site ne doit être faite, cela peut annuler la garantie.

GARANTIE/RETOUR

Se reporter aux « conditions générales de vente » dans notre catalogue et sur notre site Internet. Contacter le service client pour recevoir un numéro d'autorisation de retour de marchandise avant de renvoyer le produit pour réparation. Prendre soin d'inclure une brève description du problème ainsi que toute remarque supplémentaire sur les conditions d'utilisation.



Remarque : Ne pas réinitialiser le PMT2 lorsque le collecteur de poussière est en fonction.

Figure 4 : réinitialisation à distance et commutateur de réinitialisation

| Symptôme | Cause probable | Mesure corrective |
|--------------------------|------------------|---|
| Signal élevé | Câblage à boucle | Vérifier s'il y a des bornes, des broches de connexion ou des réceptacles sales ou défectueux. |
| | Alimentation | Vérifier la tension en sortie du bloc d'alimentation sur les bornes de l'émetteur. Elle doit être entre 9,5 et 28 VCC. |
| Sortie erratique | Câblage à boucle | Vérifier la tension en sortie du bloc d'alimentation sur les bornes de l'émetteur. Elle doit être entre 9,5 et 28 VCC. Vérifier s'il y a des court-circuits intermittents, des circuits ouverts ou des mises à la terre multiples. Vérifier la polarité aux extrémités du signal. |
| Signal bas ou inexistant | Réinitialisation | Le PMT2 renvoie environ 3,5 mA pendant la réinitialisation. Attendre environ 3 minutes et signal de 4 à 20 mA devrait revenir à la normale. |
| | Câblage à boucle | Vérifier s'il y a des court-circuits intermittents, des circuits ouverts ou des mises à la terre multiples. Vérifier la polarité aux extrémités du signal. Vérifier l'impédance de la boucle. |

Tableau 3 : recherche de panne

IS CONTROL DRAWING

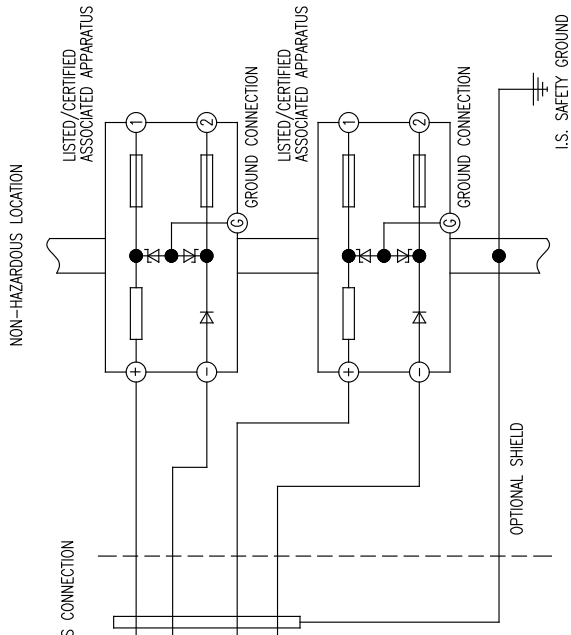
CATALOG NUMBERS:
PMT2-99-b-U2c

c IS BLANK OR ST (STAINLESS STEEL TAG)
b IS A (3/4 MNPT) OR B (1.5" TRI-CLAMP) PROCESS CONNECTION
aa IS TWO NUMERIC CHARACTERS 00 THRU 36

| TABLE 1: | |
|----------------|----------------------|
| U.S. EQUIPMENT | Associated Apparatus |
| Vmax (U) | Voc OR Vt (Uo) |
| Imax (I) | Isc OR It (Io) |
| Pmax (P) | Po |
| Li + Ccable | Ca (Co) |
| Li + Lcable | La (Lo) |

PMT2 SERIES TRANSMITTER
4 TO 20 mA SIGNAL
REMOTE ZERO
Vmax (U) = 28VDC
Imax (I) = 9.3mA
Ci = 0.022μF
Li = 0.373mH
Pmax (P) = 651mW

HAZARDOUS (CLASSIFIED) LOCATION INTRINSICALLY SAFE FOR:
CLASS I DIV. 1 GROUPS C, D
CLASS II DIV. 1 GROUPS E, F, G
CLASS III DIV. 1
CLASS 1 ZONE 0 AEx ia IIB T4 Ga
CLASS 1 ZONE 0 Ex ia IIB T4 Ga
T4 Ta = -40°C TO 63°C TYPE 4, IP 66
MAXIMUM PROCESS TEMPERATURE 120°C



- SELECTED ASSOCIATED APPARATUS MUST BE THIRD PARTY LISTED AS PROVIDING INTRINSICALLY SAFE CIRCUITS FOR THE APPLICATION, AND HAVE Voc OR Vt NOT EXCEEDING Vmax (OR Uo NOT EXCEEDING U), Isc OR It NOT EXCEEDING Imax (OR Io NOT EXCEEDING I), AND THE Po OF THE ASSOCIATED APPARATUS MUST BE LESS THAN OR EQUAL TO THE Pmax OR Pi OF THE INTRINSICALLY SAFE EQUIPMENT, AS SHOWN IN TABLE 1.
- ASSOCIATED APPARATUS OUTPUT CURRENT MUST BE LIMITED BY A RESISTOR SUCH THAT THE OUTPUT VOLTAGE-CURRENT PLOT IS A STRAIGHT LINE DRAWN BETWEEN OPEN-CIRCUIT VOLTAGE AND SHORT-CIRCUIT CURRENT.
- CAPACITANCE AND INDUCTANCE OF THE FIELD WIRING FROM THE INTRINSICALLY SAFE EQUIPMENT TO THE ASSOCIATED APPARATUS SHALL BE CALCULATED AND MUST BE INCLUDED IN THE SYSTEM CALCULATIONS AS SHOWN IN TABLE 1. CABLE CAPACITANCE, Ccable, PLUS INTRINSICALLY SAFE EQUIPMENT CAPACITANCE, Ci, MUST BE LESS THAN THE MARKED CAPACITANCE, Ca (OR Co) SHOWN ON ANY ASSOCIATED APPARATUS USED. THE SAME APPLIES FOR INDUCTANCE (Lcable, Li AND Lo OR Lo RESPECTIVELY), WHERE THE CABLE CAPACITANCE AND INDUCTANCE PER FOOT ARE NOT KNOWN, THE FOLLOWING VALUES SHALL BE USED: Ccable = 60 PF/FT. (200 PF/M), Lcable = 0.2 μH/FT. (0.6 μH/M)
- EQUIPMENT CONNECTED TO THE ASSOCIATED APPARATUS MUST NOT USE OR GENERATE MORE THAN 250 Vrms OR VDC.
- 4 TO 20 mA SIGNAL AND REMOTE ZERO MUST BE TREATED AS SEPARATE INTRINSICALLY SAFE CIRCUITS.
- WHERE MULTIPLE CIRCUITS EXTEND FROM THE SAME PIECE OF INTRINSICALLY SAFE EQUIPMENT TO ASSOCIATED APPARATUS, THEY MUST BE INSTALLED IN SEPARATE CABLES OR IN ONE CABLE HAVING SUITABLE INSULATION. REFER TO ARTICLE 504.30(B) OF THE NATIONAL ELECTRICAL CODE (ANSI/NFPA 70) FOR INSTALLATION IN THE UNITED STATES OR SECTION 18 OF THE CANADIAN ELECTRICAL CODE (CSA C22.1) FOR INSTALLATION IN CANADA AND INSTRUMENT SOCIETY OF AMERICA RECOMMENDED PRACTICE ISA RPT2.06 FOR INSTALLING INTRINSICALLY SAFE EQUIPMENT.
- THE UL MARK APPLIES TO THE PRODUCT AS IT IS ORIGINALLY MANUFACTURED WHEN SHIPPED FROM THE FACTORY. AUTHORIZED USE OF THE UL MARK IS THE MANUFACTURER'S DECLARATION THAT THE PRODUCT WAS ORIGINALLY MANUFACTURED IN ACCORDANCE WITH THE APPLICABLE REQUIREMENTS. UL DOES NOT KNOW WHAT THE EFFECT OF A MODIFICATION MAY HAVE ON THE SAFETY OF THE PRODUCT OR THE CONTINUED VALIDITY OF THE UL CERTIFICATION MARK UNLESS THE FIELD MODIFICATIONS HAVE BEEN SPECIFICALLY INVESTIGATED BY UL. UNLESS UL INVESTIGATES A MODIFIED PRODUCT, UL CANNOT INDICATE THAT THE PRODUCT CONTINUES TO MEET UL'S SAFETY REQUIREMENTS.
- ALL OPENINGS TO ENCLOSURE MUST BE SEALED USING SUITABLE GLANDS AND/OR PLUG MAINTAINING A MINIMUM IP RATING OF IP60.
- THE ASSOCIATED APPARATUS MANUFACTURER'S INSTALLATION INSTRUCTIONS MUST BE FOLLOWED WHEN INSTALLING THE EQUIPMENT.
- WARNING - ENCLOSURE PARTS ARE CONSTRUCTED OF ALUMINUM. ENCLOSURE MUST BE PROTECTED FROM IGNITION HAZARD DUE TO IMPACT OR FRICTION.
- WARNING - SUBSTITUTION OF COMPONENTS MAY IMPAIR INTRINSIC SAFETY.
- WARNING - TO PREVENT IGNITION OF FLAMMABLE OR COMBUSTIBLE ATMOSPHERES, READ, UNDERSTAND AND ADHERE TO THE MANUFACTURER'S LIVE MAINTENANCE PROCEDURES.

STANDARDS:
AS REFERENCE BY UL 913 - 8th EDITION
UL 60079-0 - 6th EDITION
UL 60079-11 - 6th EDITION

CAN/CSA C22.2 NO. 157-92:12
CAN/CSA C22.2 NO. 60079-0:11
CAN/CSA C22.2 NO. 60079-11:14

| SCALE 1:2 | |
|--|----------|
| DATE | 12-23-14 |
| DWN BY | DMK/KAS |
| CHKD | HMS |
| APPR | DMK |
| BY/DATE | |
| CHANGES | |
| NO. | |
| <p>NOTE: This drawing and the principles and elements of design embodied therein are the exclusive property of DWYER INSTRUMENTS, INC. and are not to be communicated, disseminated, reproduced or used in any way without the express written consent of DWYER INSTRUMENTS, INC. and are not to be submitted for examination without the written consent of said corporation.</p> | |
| DATE | AC032002 |
| 3 | |

IS CONTROL DRAWING
PMT2

MATERIAL
FINISH

DWYER INSTRUMENTS, INC.
MICHIGAN CITY, INDIANA 46360 U.S.A.

FR. NO. 001744-48

IS CONTROL DRAWING
ATEX/IECEX

CATALOG NUMBERS:
PMT2-gg-b-AZc

OPTIONS

BLANK - NONE
M2 - M20 ELECTRICAL ENTRIES
ST - STAINLESS STEEL TAG

PROCESS CONNECTION

A - 3/4" MALE NPT
B - 1.5" TRI-CLAMP WITH 1" NPT MALE
C - 3/4" MALE BSPT
D - 1.5" TRI-CLAMP WITH 1" BSPT

PROBE LENGTH - TWO NUMERIC CHARACTERS

| TABLE 1: | |
|--------------|----------------------|
| IS EQUIPMENT | Associated Apparatus |
| Vmax (U) | Voc OR Vt (Uo) |
| Imax (I) | Isc OR It (Io) |
| Pmax (Pt) | Po |
| Ct + Ccable | Ca (Co) |
| Lt + Lcable | La (Lo) |

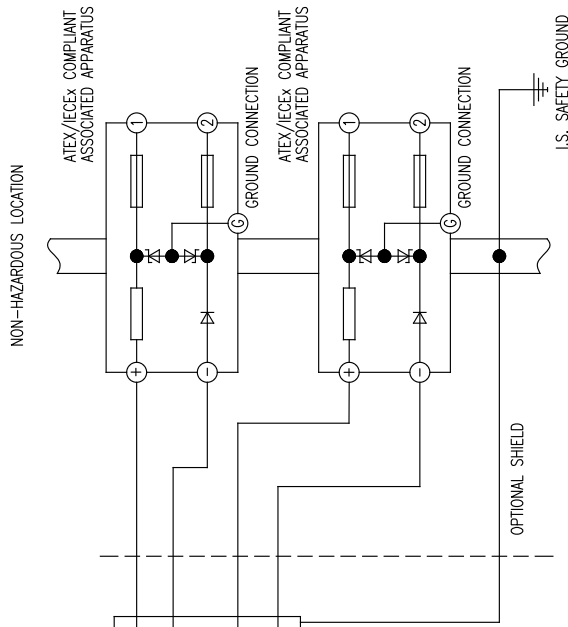
PMT2 SERIES TRANSMITTER
4 TO 20 mA SIGNAL
REMOTE ZERO
Vmax (U) = 28VDC
Imax (I) = 9.3mA
Ct = 0.022uF
Lt = 0.373mH
Pmax (Pt) = 651mW

ATEX CLASSIFICATION: $\text{II 1 G Ex ia IIB T4 Ga}$ ($-40^{\circ}\text{C} \leq \text{Tamb} \leq 63^{\circ}\text{C}$) ($-40^{\circ} \leq \text{Tprocess} \leq 120^{\circ}\text{C}$)
 $\text{II 1 D Ex ia IIIC T120^{\circ}\text{C Da}$ ($-40^{\circ}\text{C} \leq \text{Tamb} \leq 63^{\circ}\text{C}$) ($-40^{\circ} \leq \text{Tprocess} \leq 120^{\circ}\text{C}$)
IECEX CLASSIFICATION: Ex ia IIB T4 Ga ($-40^{\circ}\text{C} \leq \text{Tamb} \leq 63^{\circ}\text{C}$) ($-40^{\circ} \leq \text{Tprocess} \leq 120^{\circ}\text{C}$)
 $\text{Ex ia IIIC T120^{\circ}\text{C Da}$ ($-40^{\circ}\text{C} \leq \text{Tamb} \leq 63^{\circ}\text{C}$) ($-40^{\circ} \leq \text{Tprocess} \leq 120^{\circ}\text{C}$)

1. SELECTED ASSOCIATED APPARATUS MUST BE THIRD PARTY CERTIFIED AS PROVIDING INTRINSICALLY SAFE CIRCUITS FOR THE APPLICATION, AND HAVE Voc OR Vt NOT EXCEEDING Vmax (OR Uo NOT EXCEEDING U), Isc OR It NOT EXCEEDING I, AND THE Po OF THE ASSOCIATED APPARATUS MUST BE LESS THAN OR EQUAL TO THE Pmax OR Pt OF THE INTRINSICALLY SAFE EQUIPMENT, AS SHOWN IN TABLE 1
2. EQUIPMENT CONNECTED TO THE ASSOCIATED APPARATUS MUST NOT USE OR GENERATE MORE THAN 250 Vrms OR VDC.
3. 4 TO 20 mA SIGNAL AND REMOTE ZERO MUST BE TREATED AS SEPARATE INTRINSICALLY SAFE CIRCUITS.
4. THE ASSOCIATED APPARATUS MANUFACTURER'S INSTALLATION INSTRUCTIONS MUST BE FOLLOWED WHEN INSTALLING THE EQUIPMENT.
5. WARNING - ENCLOSURE SHALL BE SEALED BY CABLE ENTRY DEVICE AND BLANKING ELEMENT; CABLE ENTRY DEVICE AND BLANKING ELEMENT SHALL BE CERTIFIED Ex d OR Ex e WITH A IP66 RATING MINIMUM AND 89.4°C MINIMUM SERVICE TEMPERATURE.
6. WARNING - ALL FIELD WIRING SHALL BE SUITABLE FOR AN AMBIENT TEMPERATURE RANGE OF -40°C TO 89.4°C .
7. WARNING - ENCLOSURE PARTS ARE CONSTRUCTED OF ALUMINUM. ENCLOSURE MUST BE PROTECTED FROM IGNITION HAZARD DUE TO IMPACT OR FRICTION.
8. WARNING - SUBSTITUTION OF COMPONENTS MAY IMPAIR INTRINSIC SAFETY.
9. WARNING - TO PREVENT IGNITION OF FLAMMABLE OR COMBUSTIBLE ATMOSPHERES, READ, UNDERSTAND AND ADHERE TO THE MANUFACTURER'S LIVE MAINTENANCE PROCEDURES.
10. NO REVISIONS TO THIS DRAWING WITHOUT PRIOR APPROVAL BY UL/DEMCO.

ATEX STANDARDS: EN 60079-0:2012/A11:2013
EN 60079-11: 2012

IECEX STANDARDS: IEC 60079-0: 2011/ISH1:2014
IEC 60079-11: 2011/SH1:2014



⊕ = CRITICAL DIMENSION
DIMENSIONS IN PARENTHESES UNLESS NOTED:
ALL DIMENSIONS IN MILLIMETERS ± .005
ALL ANGLES ± 1°

| DATE | | NAME | | SCALE | |
|------------|--|--------------------|--|-------------------------------------|--|
| 09-15-16 | | IS CONTROL DRAWING | | 1:2 | |
| DWN BY KAS | | ATEX/IECEX | | | |
| CHKD CAT | | PMT2 | | | |
| APFD DWK | | | | | |
| BY/DATE | | | | | |
| CHANGES | | | | | |
| NO. | | | | | |
| | | | | ACD0202 | |
| | | | | 3 | |
| | | | | FR. NO. 001744-81 | |
| | | | | MATERIAL | |
| | | | | FINISH | |
| | | | | DWYER INSTRUMENTS, INC. | |
| | | | | MICHIGAN CITY, INDIANA 46360 U.S.A. | |

NOTICE: This drawing and the principles and elements of design embodied therein are the exclusive property of DWYER INSTRUMENTS, INC. and are not to be communicated, disseminated, reproduced or used, in whole or in part, without the prior written consent of DWYER INSTRUMENTS, INC. and must not be submitted to outside parties for examination without the written consent of DWYER INSTRUMENTS, INC.



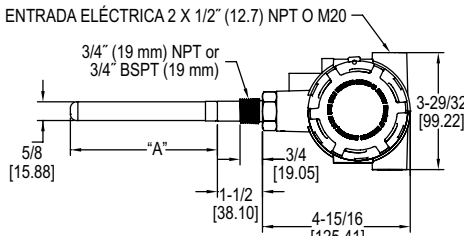
Transmisor de partículas serie PMT2

Especificaciones: Instrucciones de instalación y uso

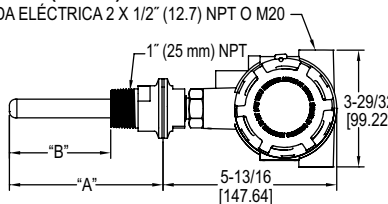


| MONTURA ROSCADA | |
|-----------------|-------------|
| Sonda | A |
| Longitud | in [mm] |
| 3" | 3 [76.20] |
| 5" | 5 [127.00] |
| 10" | 10 [254.00] |
| 15" | 15 [381.00] |
| 20" | 20 [508.00] |
| 30" | 30 [762.00] |
| 36" | 36 [914.40] |

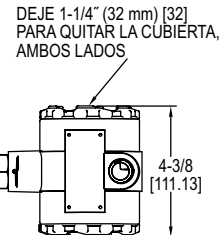
| MONTAJE CON ABRAZADERA TRI-CLAMP DE 1.5" (38 mm) | | |
|--|-----------------|-------------------|
| Sonda | A | B |
| Longitud | in [mm] | in [mm] |
| 3" | 3-1/2 [88.90] | 1-25/32 [45.24] |
| 5" | 5-1/2 [139.70] | 3-25/32 [96.04] |
| 10" | 10-1/2 [266.70] | 8-25/32 [223.04] |
| 15" | 15-1/2 [393.70] | 13-25/32 [350.04] |
| 20" | 20-1/2 [520.70] | 18-25/32 [477.04] |
| 30" | 30-1/2 [744.70] | 28-25/32 [731.04] |
| 36" | 36-1/2 [927.10] | 34-25/32 [883.44] |



Montaje 3/4" (19 mm) NPT macho O 3/4" (38 mm) (19 mm) BSPT macho



Montaje con abrazadera Tri-Clamp de 1.5" (38 mm)



El transmisor de partículas **SERIE PMT2** está diseñado para medir los niveles de emisión de partículas de una descarga de colector de polvo. El transmisor utiliza una tecnología sensora por inducción electrostática con acoplamiento de CC para monitorear una corriente de pA generada cuando una partícula pasa cerca de la sonda, y una señal de 4 a 20 mA variará según el nivel de partículas. El PMT2 ofrece 6 rangos de sensibilidad, permitiendo que el usuario seleccione aquél que resulte más apropiado para la aplicación. El selector de rango y prueba también puede configurarse para producir una salida de 4 mA o 20 mA que ayude en la configuración o resolución de problemas. Si se desea, puede usarse un ajuste de promedio de tiempo para amortiguar la señal.

CARACTERÍSTICAS Y BENEFICIOS

- Sencilla instalación con 2 hilos para controladores lógicos programables (PLC) y tableros de control
- Sonda recubierta con PTFE antiadherente para evitar falsas lecturas por la acumulación de humedad, residuos conductores, condensación y polvo
- La calibración a cero remota ayuda a reducir el tiempo de mantenimiento

TABLA DE MODELOS

| Ejemplo | PMT2 | -05 | -A | -U2 | PMT2-05-A-U2 |
|--------------------------|------|-----|----|-----|---|
| Serie | PMT2 | | | | Transmisor de partículas |
| Longitud de sonda | | 03 | | | Longitud de sonda de 3" (76.20 mm) |
| | | 05 | | | Longitud de sonda de 5" (127 mm) |
| | | 10 | | | Longitud de sonda de 10" (254 mm) |
| | | 15 | | | Longitud de sonda de 15" (381 mm) |
| | | 20 | | | Longitud de sonda de 20" (508 mm) |
| | | 30 | | | Longitud de sonda de 30" (762 mm) |
| | | 36 | | | Longitud de sonda de 36" (914 mm) |
| Conexión de proceso | | | A | | NPT macho de 3/4" (19 mm) |
| | | | B | | Kit de abrazadera Tri-Clamp de 1.5" (38 mm) con NPT macho de 1" (25.4 mm) |
| | | | C | | 3/4" (19 mm) BSPT macho |
| Clasificación de la caja | | | | A2 | ATEX e IECEx (IS) |
| | | | | U2 | UL (IS)* |
| Opciones | | | | ST | Etiqueta de acero inoxidable |
| | | | | M2 | Entradas eléctricas M20 hembra (hembra 1/2" (12.7 mm) NPT estándar) |

*Opciones que no tienen ATEX ni IECEx.

Atención: Las unidades sin el sufijo A2 no cumplen con la Directiva 2014/34/EC (ATEX). Estas unidades no son aptas para usarse en atmósferas potencialmente peligrosas en la UE. Estas unidades pueden tener la marca CE para otras Directivas de la UE.

ESPECIFICACIONES

- Servicio:** Aire y gases compatibles, cualquier tipo de partícula conductora o no conductora.
- Materiales mojados:** Acero inoxidable 316L, silicona y PTFE.
- Gabinete:** Aluminio con recubrimiento pulverizado.
- Exactitud:** ±5 % de la lectura.
- Tamaño de partícula:** 0.3 micras y mayor.
- Rango de detección:** 5 a to 5000 pA (6 opciones de rango elegibles).
- Límites de temperatura:** Ambiente: -40 a 145 °F (-40 a 63 °C); proceso: -40 a 248 °F (-40 a 120 °C).
- Límite de presión:** 30 bar (2 psi).
- Señal de salida:** 4 a 20 mA.
- Requisitos de alimentación:** 12 a 28 VCC (---).
- Conexión eléctrica:** Dos entradas eléctricas hembra 1/2" (12.7 mm) NPT o dos entradas eléctricas M20 (solo sufijo A2).
- Bloque de terminales:** Removible (cable calibre 16 a 20 AWG).
- Conexión de proceso:** Vea la tabla de modelos. Las conexiones de proceso BSPT no están homologadas por UL.
- Longitudes de sonda:** Vea la tabla de modelos.
- Clasificación de gabinete:** UL tipo 4 (IP66) ATEX/IECEx IP66.
- Orientación de montaje:** Cualquiera.
- Tiempo de promedio:** 1 a 360 s (10 opciones elegibles).
- Peso:** Varía según la longitud de la sonda y el tipo de montaje.
- Aprobaciones de agencias:** CE, cULus; conformidad con ATEX: CE 0518 @ II 1 G Ex ia IIB T4 Ga (-40 °C ≤ Tamb ≤ 63 °C) (-40 °C ≤ T proceso ≤ 120 °C) / II 1 D Ex ia IIIC T120 °C Da (-40 °C ≤ Tamb ≤ 63 °C) (-40 °C ≤ T proceso ≤ 120 °C). Núm. certificado tipo: DEMKO 16ATEX1768 X. Estándares ATEX: EN 60079-0:2012/ A11:2013; EN 60079-11:2012. Certificación IECEx: Ex ia IIB T4 Ga (-40 °C ≤ Tamb ≤ 63 °C) (-40 °C ≤ T proceso ≤ 120 °C) / Ex ia IIIC T120 °C Da (-40 °C ≤ Tamb ≤ 63 °C) (-40 °C ≤ T proceso ≤ 120 °C). Normas IECEx: IEC 60079-0:2011; IEC 60079-11:2011. Homologado por UL como intrínsecamente seguro para clase I, grupos C y D; clase II, grupos E, F y G; clase III; clase I zona 0 AEx ia IIB T4 Ga; clase I zona 0 Ex ia IIB T4 Ga.

PRINCIPIO OPERATIVO

Tecnología

El PMT2 utiliza tecnología sensora por inducción electrostática con acoplamiento de CC de alta confiabilidad. La sonda del sensor se monta en un flujo de aire, como el de una tubería, un conducto o una chimenea. El efecto inductivo ocurre cuando una partícula pasa cerca de la sonda, transfiriendo una carga de la partícula a la sonda. Un microprocesador filtra y procesa la señal para generar una salida lineal a la concentración de masa de la partícula.

La sonda recubierta con PTFE garantiza un funcionamiento confiable con todos los tipos de partículas, incluso polvos húmedos y polvos altamente conductores. La sonda recubierta con PTFE elimina la necesidad de una purga con aire y mantiene el mantenimiento al mínimo.

Monitoreo de partículas

El PMT2 está diseñado específicamente para monitorear de forma continua los niveles de partículas en el flujo de aire de chimeneas y de otros puntos de emisión que pasa por un filtro de un sistema de filtración de aire. El transmisor debe instalarse en los conductos de salida y puede usarse en combinación con diversos tipos de filtros de bolsa, cerámicos, de cartucho o ciclónicos. Al instalar el PMT2 inicialmente, es necesario medir y anotar una lectura de referencia. Esta lectura de referencia depende de la aplicación y debe medirse de modo independiente para cada instalación. A partir de esta base de referencia, el operador monitoreará la señal de salida del PMT2. El incremento en la salida de mA indica un nivel creciente de partículas en el flujo de aire, lo cual indica que los filtros se están desgastando o están rotos.

El PMT2 está diseñado para generar una salida proporcional basada en los niveles de partículas en un conducto o en una tubería, no está diseñado para generar una señal basada en el flujo volumétrico de partículas. Los distintos tipos de partículas pueden tener cargas diferentes, lo que significa que dos partículas que fluyen con el mismo caudal volumétrico podrían tener una respuesta de salida diferente. El PMT2 está diseñado para encontrar una base de referencia en condiciones operativas ideales y permitir que un operador observe la señal de salida en busca de incrementos que indiquen que las bolsas o los filtros están comenzando a desgastarse o a romperse. Los seis rangos de sensibilidad permiten que el PMT2 monitoree partículas con propiedades de baja carga o de alta carga. Como referencia, la tabla 1 presenta las propiedades de carga de las partículas y el rango sugerido.

INSTALACIÓN

Desembalaje

Extraiga el PMT2 de la caja de envío e inspecciónelo en busca de daños. Si encuentra daños, notifíquelo de inmediato al transportista.

Ubicación

Deben tenerse en cuenta los siguientes factores al determinar el lugar de instalación del PMT2:

- Asegúrese de que el transmisor esté homologado para la clasificación del área donde se montará.
- Monte el transmisor en un lugar donde no excederá las clasificaciones de temperatura y presión indicadas en las especificaciones. La presión de proceso no deberá exceder 30 psi (2 bar).
- Cerciórese de que los cables de señal de 4 a 20 mA no compartan el mismo conducto con cables de alimentación de voltaje.
- Compruebe que el lugar donde se montará el transmisor cumpla con la clasificación NEMA o IP del gabinete.
- Coloque el transmisor en un lugar donde podrá accederse en caso de que requiera servicio.

El PMT2 deberá montarse en una chimenea, una tubería o un conducto metálico puesto a tierra. No deberá montarse en chimeneas, tuberías o conductos de fibra de vidrio o de plástico. La sonda sensora debe extenderse de 1/2 a 2/3 del diámetro de la chimenea, la tubería o el conducto para obtener lecturas exactas. Para obtener las lecturas más estables y exactas, se recomienda montar el PMT2 en un lugar donde el flujo de aire sea lo más laminar posible. Evite montar el transmisor cerca de sopladores o de reguladores de tiro que pudieran causar turbulencia. Lo ideal es montar el PMT2 en un área con dos diámetros de conducto flujo arriba y un diámetro de conducto flujo abajo que estén libres de objetos que causen turbulencia. La sonda sensora tiene un recubrimiento de PTFE antiadherente para evitar que el material cubra la sonda, lo cual reduce la necesidad de limpieza o de purga con aire.

| | Partícula | Rango sugerido | |
|--------------------|----------------|-------------------------------|-------------|
| Positivo | Manos humanas | 5 a 5000 pA | |
| | Asbesto | | |
| | Piel de conejo | | |
| | 5 a 1000 pA | Acetato | |
| | | Vidrio | |
| | | Mica | |
| | | Cabello humano | |
| | 5 a 500 pA | Nailon | |
| | | Madera | |
| | | Piel | |
| Plomo | | | |
| Seda | | | |
| Neutro | | Aluminio | 5 a 100 pA |
| | Papel | | |
| | Algodón | 5 a 500 pA | |
| | Acero | | |
| | Madera | | |
| | Mylar™ | | |
| | Negativo | Níquel o cobre | 5 a 1000 pA |
| | | Plata o latón | |
| | | Oro o platino | |
| | | Azufre | |
| Rayón de acetato | | | |
| 5 a 5000 pA | | Poliéster | |
| | | Estireno (espuma de estireno) | |
| | | Acrílico | |
| | | Saran™ | |
| | | Poliuretano | |
| | Polietileno | | |
| | Polipropileno | | |
| Vinilo (PVC) | | | |
| Silicio | | | |
| PTFE | | | |
| Caucho de silicona | | | |

Tabla 1: rangos sugeridos

CABLEADO

AVISO

- Siempre instale el dispositivo y realice las tareas de servicio con la alimentación apagada y, cuando se requiera, instale un bloqueo de desconexión.
- Use únicamente cable de cobre calibre 16 a 20 AWG para las conexiones de línea y de cable. La instalación debe efectuarse conforme a los códigos y reglamentos locales, como el Código Eléctrico Nacional.
- Se mantiene el grado de protección TIPO 4 (IP66) al utilizar prensaestopas y tapones apropiados en combinación con modelos homologados por UL.

ADVERTENCIA

LUGARES PELIGROSOS

Para evitar la ignición de lugares peligrosos, deben tomarse las siguientes precauciones:

- Mantenga la cubiertas del dispositivo firmemente cerradas durante el funcionamiento.
- Desenergice el circuito de alimentación antes de abrir las cubiertas del dispositivo.
- Vuelva a colocar las cubiertas del dispositivo antes de energizar los circuitos eléctricos.
- El dispositivo no puede repararse en campo y deberá devolverse a Dwyer Instruments si se requieren reparaciones.

ADVERTENCIA

CONDICIONES DE USO ESPECÍFICAS DE SEGURIDAD INTRÍNSECA

Para mantener la seguridad intrínseca, deben tomarse las siguientes precauciones:

- La señal de 4 a 20 mA y el cero remoto deben tratarse como circuitos separados.
- Los componentes del gabinete están hechos de aluminio. El gabinete debe estar protegido contra el peligro de ignición por impacto o fricción.
- Todas las aberturas del gabinete deben estar selladas mediante prensaestopas o tapones apropiados que mantengan una clasificación IP mínima de IP66 para los modelos homologados por UL e IP65 para los modelos que cumplen con ATEX/IECEZ.
- La sustitución de componentes podría afectar la seguridad intrínseca.

SEGURIDAD INTRÍNSECA HOMOLOGADA POR UL DEL DIAGRAMA DE CONTROL (SUFUJO U2):

Homologado por UL como intrínsecamente seguro para clase I, 1, grupos C y D; clase II, div. 1, grupos E, F y G; clase III, div. 1; clase I, zona 0 AEx ia IIB T4 Ga; clase I, zona 0 Ex ia IIB T4 Ga; T4 a 63 °C al instalarse de conformidad con el diagrama de control 001744-48 en la página 6 de este documento.

CUMPLIMIENTO DE ATEX (SUFUJO A2)

II 1 G Ex ia IIB T4 Ga (-40 °C ≤ Tamb ≤ 63 °C) (-40 °C ≤ T proceso ≤ 120 °C) / II 1 D Ex ia IIIC T120 °C Da (-40 °C ≤ Tamb ≤ 63 °C) (-40 °C ≤ T proceso ≤ 120 °C) al instalarse de conformidad con el diagrama de control 001744-81 en la página 7 de este documento.

CUMPLIMIENTO DE IECEX (SUFUJO A2)

Ex ia IIB T4 Ga (-40 °C ≤ Tamb ≤ 63 °C) (-40 °C ≤ T proceso ≤ 120 °C) / Ex ia IIIC T120 °C Da (-40 °C ≤ Tamb ≤ 63 °C) (-40 °C ≤ T proceso ≤ 120 °C) al instalarse de conformidad con el diagrama de control 001744-81 en la página 7 de este documento.

PARÁMETROS DE ENTRADA DE SEGURIDAD INTRÍNSECA:

Señal de 4 a 20 mA, V_{máx} (U_i) = 28 V; I_{máx} (I_i) = 93 mA; C_i = .022 µF; L_i = 0.373 mH; P_{máx} (P_i) = 651 mW
Cero remoto, V_{máx} (U_i) = 28 V; I_{máx} (I_i) = 93 mA; C_i = insignificante; L_i = 0 mH; P_{máx} (P_i) = 651 mW

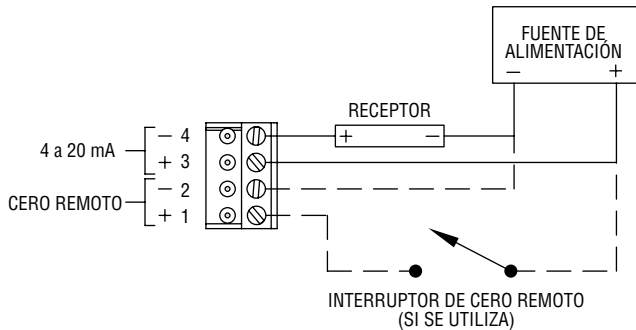


Figura 1: cableado para la instalación general (no intrínsecamente seguro)

REQUISITOS DE LA FUENTE DE ALIMENTACIÓN

El suministro máximo de alimentación de CC es de 28 VCC. El suministro mínimo de alimentación de CC que se requiere depende de lo siguiente:

1. El requisito de voltaje de CC mínimo del modelo PMT2.
2. La resistencia total de la carga.
3. La resistencia total del conductor.
4. La caída de voltaje de la barrera Zener (solo modelo PMT2-XX-X-X2).

La fórmula para calcular el suministro de alimentación de CC es:
VDC = VPMT2 + VLOAD + VLEADWIRE + VBARRIER

Donde VPMT2 = 9.5 V

VLOAD = resistencia total de la carga X 20 mA

VLEADWIRE = resistencia total del conductor X 20 mA

VBARRIER = 8.1 V (caída de voltaje típica de la barrera Zener para esta aplicación)

Ejemplo 1: Calcular el suministro mínimo de alimentación de CC para modelos intrínsecamente seguros

Paso 1 VPMT2 = 9.5 V

Paso 2 Calcular VLOAD. Utilizando el resistor de conversión de 250 Ω estándar de la industria, VLOAD = 250 X 20 mA = 5 V.

Paso 3 Calcular VLEADWIRE. En este ejemplo se supone una resistencia del conductor de 10 Ω, VLEADWIRE = 10 X 20 mA = 0.2 V

Paso 4 VBARRIER = 8.1 V

Paso 5 VCC = VPMT2 + VLOAD + VLEADWIRE + VBARRIER = 9.5 + 5 + 0.2 + 8.1 = 22.8 V

CONTROLES

ADVERTENCIA

PROCEDIMIENTO DE MANTENIMIENTO EN VIVO

El mantenimiento en vivo de los controles de puesta a cero, promedio de tiempo, rango y prueba no puede realizarse en la presencia de una atmósfera inflamable o combustible.

Interruptor de cero (vea la figura 2)

Mantenga presionado el interruptor durante 3 segundos y el PMT2 volverá a ponerse a cero digitalmente. Se recomienda volver a poner a cero después de una falla de filtro o de un cambio de filtro. La puesta a cero únicamente debe realizarse cuando no haya flujo de aire en el conducto.

Interruptor de selección de tiempo de promedio

El PMT2 promediará la salida durante el tiempo seleccionado. Esto amortiguará los picos en la salida causados durante los ciclos de limpieza normales del filtro.

Interruptor de selección de rango y prueba

Pueden seleccionarse 6 rangos de sensibilidad según el material que detectará el PMT2 (vea la tabla 1). También hay una opción para generar una señal de 4 mA o de 20 mA como salida; estas opciones pueden ayudar durante la instalación del transmisor o durante la resolución de problemas.

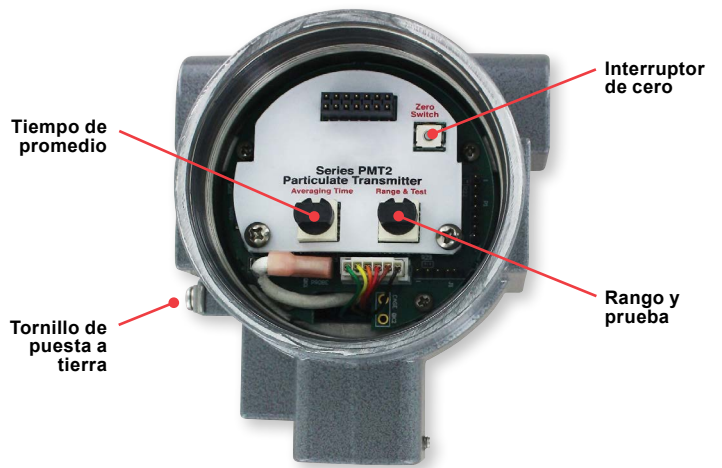


Figura 2

CONFIGURACIÓN

Montaje

Asegúrese de que el PMT2 esté montado firmemente en la chimenea, la tubería o el conducto para evitar vibraciones durante el funcionamiento. Compruebe que el transmisor esté puesto a tierra correctamente.

Configuración de la señal de control

Revise el cableado de la fuente de alimentación para comprobar que la polaridad esté correcta antes de encender el PMT2. Encienda la alimentación del transmisor y gire el selector de rango y prueba a 4 mA (posición 2). El PMT deberá generar una salida de 4 mA; revise la salida con un multímetro o en el dispositivo (PLC, pantalla, etc.) que recibe la señal de salida. Una vez verificado que se recibe la señal de 4 mA, mueva el interruptor selector de rango y prueba a la posición de 20 mA (posición 1) y repita el proceso. Si la salida es de 0 mA, compruebe que la fuente de alimentación esté encendida y revise si hay cables sueltos.

Selección de rango y prueba

Al seleccionar uno de los 6 rangos disponibles, hay que tener en cuenta las señales de referencia y de pico máximo que ocurren durante la limpieza del filtro. Los rangos seleccionados deben tener resolución suficiente para monitorear la base de referencia y capturar los picos máximos durante un ciclo de limpieza. Los cuatro rangos lineales generan salidas de 4 mA a 5 pA y de 20 mA en el rango máximo. Los dos rangos logarítmicos tienen una resolución más fina en el extremo inferior del rango y menos fina en el extremo superior.

| Posición del interruptor | Rango | Salida |
|--------------------------|-----------------|--|
| 1 | Prueba | 20 mA |
| 2 | Prueba | 4 mA |
| 3 | 5 a 100 pA | 5 pA = 4 mA 25 pA = 8 mA 50 pA = 12 mA 75 pA = 16 mA 100 pA = 20 mA |
| 4 | 5 a 500 pA | 5 pA = 4 mA 125 pA = 8 mA 250 pA = 12 mA 375 pA = 16 mA 500 pA = 20 mA |
| 5 | 5 a 1000 pA | 5 pA = 4 mA 250 pA = 8 mA 500 pA = 12 mA 750 pA = 16 mA 1000 pA = 20 mA |
| 6 | 5 a 5000 pA | 5 pA = 4 mA 1250 pA = 8 mA 2500 pA = 12 mA 3750 pA = 16 mA 5000 pA = 20 mA |
| 7 | Log 5 a 500 pA | 5 pA = 4 mA 16 pA = 8 mA 50 pA = 12 mA 158 pA = 16 mA 500 pA = 20 mA |
| 8 | Log 5 a 5000 pA | 5 pA = 4 mA 28 pA = 8 mA 158 pA = 12 mA 890 pA = 16 mA 5000 pA = 20 mA |

Nota: Las posiciones 9 y 0 no se utilizan.

Tabla 2: interruptor de rango y prueba

RANGO LOGARÍTMICO

Los rangos logarítmicos ofrecen un extremo inferior prolongado de la escala, con el extremo superior del rango comprimido. Esto ofrece mejor resolución para el monitoreo de la base de referencia y aún permite que el operador vea los picos de partículas durante los ciclos de limpieza. Se recomiendan los rangos logarítmicos para los filtros de bolsa, pues tienen mayor tendencia a generar picos de partículas durante los ciclos de limpieza.

ECUACIONES DE RANGO LOGARÍTMICO

$$pA = 10 \left(\frac{(M-4)}{16} \times R + 0.699 \right)$$

pA = picoamperios (pA) medidos

M = Miliamperios (mA) medidos del PMT2

R = 2 (para el rango logarítmico de 5 a 500 pA)

R = 3 (para el rango logarítmico de 5 a 5000 pA)

Ejemplo 1: Rango logarítmico de 5 a 500 pA con salida de corriente de 12 mA:

$$pA = 10 \left(\frac{(12-4)}{16} \times 2 + 0.699 \right)$$

pA = 50

Ejemplo 2: Rango logarítmico de 5 a 5000 pA con salida de corriente de 14 mA:

$$pA = 10 \left(\frac{(14-4)}{16} \times 3 + 0.699 \right)$$

pA = 375

AJUSTE DE LAS ALARMAS DE NIVEL DE EMISIONES

El PMT2 generará una señal de 4 a 20 mA según el rango seleccionado durante la configuración. Las alarmas pueden programarse en el PLC o en el sistema de control con base en la señal de 4 a 20 mA del transmisor de partículas.

Se recomienda ajustar dos puntos de alarma. Un punto de ajuste de alarma para monitorear los picos de las emisiones y la segunda alarma para detectar un incremento en la base de referencia.

La alarma que monitorea los picos de las emisiones debe ajustarse de manera que identifique los cambios en los picos causados por los ciclos de limpieza. A medida que se desgastan los filtros, aumenta la altura y la duración de los picos. La frecuencia de los picos de las emisiones también aumentará, ya que los filtros requerirán una limpieza más frecuente conforme se desgastan. Si hay una salida continua superior a la alarma de pico de emisiones, es muy probable que se haya roto un filtro y que deba cambiarse de inmediato.

La alarma de base de referencia debe detectar un incremento en la lectura de base de referencia. El tipo de colector de polvo y los reglamentos de la planta determinarán dónde debe ajustarse la alarma de base de referencia. Típicamente, la alarma de base de referencia debe ajustarse 4 a 5 veces durante la medición inicial de lecturas de referencia, al instalar los filtros por primera vez. Por lo tanto, si la base de referencia es de 10 pA, la alarma de base de referencia debe ajustarse a un valor entre 40 pA y 50 pA. Se recomienda especificar una pausa en el PLC o en la alarma del tablero de control para evitar falsas alarmas durante los ciclos de limpieza. Si la señal de salida del PMT2 continuamente es superior a la alarma de base de referencia, es hora de reemplazar los filtros. Si los picos de las emisiones han incrementado, pero la base de referencia no ha cambiado, esto es uno de los primeros indicios de que los filtros comienzan a desgastarse y que pronto será necesario cambiarlos.

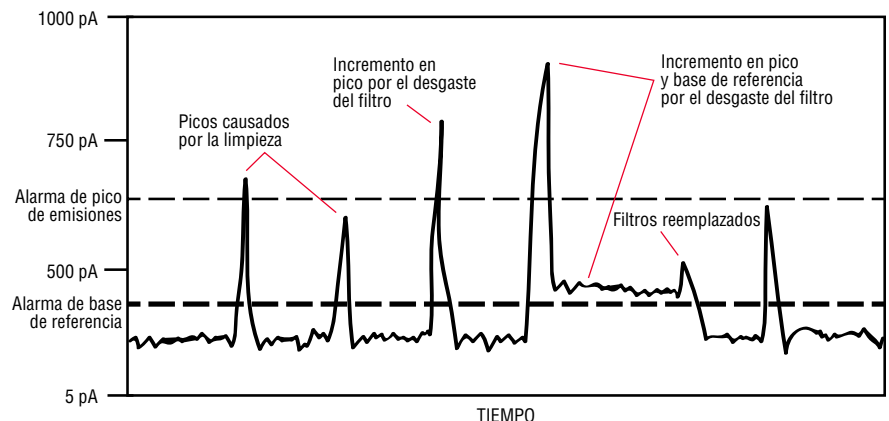


Figura 3: emisiones típicas del filtro

SELECCIÓN DE PROMEDIO

El PMT2 ofrece una función de promedio digital por el flujo irregular de partículas y los picos durante los ciclos de limpieza. Hay diez opciones de rango de promedio, desde 1 hasta 360 segundos. El promedio digital toma un promedio móvil de las lecturas durante el tiempo seleccionado. Esto amortigua los picos en la salida causados por las fluctuaciones en las partículas que podrían disparar los valores de alarma. Es importante seleccionar un ajuste de promedio que le permita al operador ver los ciclos de limpieza. Se recomienda monitorear la tendencia de la base de referencia y la tendencia de pico a pico entre ciclos de limpieza.

CALIBRACIÓN A CERO

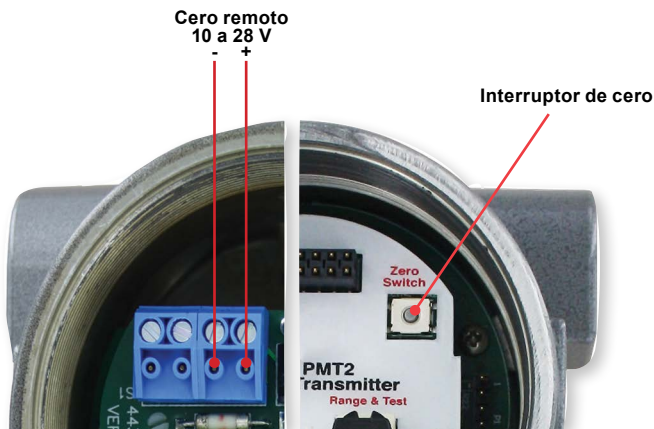
Aunque el PMT2 se entrega de fábrica puesto a cero, se recomienda poner el transmisor a cero después de la instalación para garantizar la mayor exactitud. Al poner a cero el PMT2, asegúrese de que el colector de polvo esté apagado y que no haya flujo de aire en el conducto, la chimenea o la tubería que se monitorea. Se recomienda volver a calibrar a cero el PMT2 una vez cada 12 meses para un desempeño óptimo. Consulte las leyes y los reglamentos de su localidad, ya que las normas de aire limpio puede requerir la calibración a cero conforme a un programa determinado, según la aplicación. Hay dos maneras de calibrar el PMT2 a cero. El primer método es utilizando el botón de cero en el frente del transmisor. Mantenga presionado el botón durante 3 segundos y el transmisor comenzará a ponerse a cero. El segundo método es el cero remoto. Suministre voltaje de CC como se muestra en la figura 4 en los terminales de cero en el dorso del transmisor, durante un tiempo mínimo de 3 segundos, para comenzar a poner a cero el transmisor. Mientras el transmisor se pone a cero, el PMT2 generará una salida de aproximadamente 3.5 mA. La función de calibración a cero tardará unos 3 minutos. Al finalizar la calibración a cero, la salida regresará a una señal de salida normal y el transmisor estará listo para operar.

MANTENIMIENTO Y REPARACIÓN

No se requiere mantenimiento rutinario de la serie PMT2 después de su instalación final. La serie PMT2 no puede repararse en campo y deberá devolverse requiriendo reparaciones. No se debe intentar reparar la unidad en campo, ya que esto puede anular la garantía.

GARANTÍA Y DEVOLUCIÓN

Consulte los "Términos y condiciones de venta" en nuestro catálogo y en nuestro sitio web. Comuníquese con el Departamento de Atención al Cliente para obtener un número de autorización de devolución de bienes antes de enviar el producto para reparación. Asegúrese de incluir una breve descripción del problema además de cualquier nota adicional sobre la aplicación.



Nota: No ponga el PMT2 a cero mientras el colector de polvo esté funcionando.

Figurae 4: cero remoto e interruptor de cero

| Síntoma | Posible fuente | Acción correctiva |
|-----------------------------|------------------------|--|
| Salida alta | Cableado de bucle | Revise si hay terminales, pines de interconexión o receptáculos sucios o defectuosos. |
| | Fuente de alimentación | Revise el voltaje de salida de la fuente de alimentación en los terminales del transmisor. Debe ser de 9.5 a 28 VCC. |
| Salida errática | Cableado de bucle | Revise el voltaje de salida de la fuente de alimentación en los terminales del transmisor. Debe ser de 9.5 a 28 VCC. Revise si hay cortocircuitos intermitentes, circuitos abiertos y múltiples conexiones a tierra. Revise la polaridad de los terminales de señal. |
| Salida baja o no hay salida | Puesta a cero | El PMT2 generará una salida de aproximadamente 3.5 mA durante la puesta a cero. Espere unos 3 minutos y la señal de 4 a 20 deberá volver a la normalidad. |
| | Cableado de bucle | Revise si hay cortocircuitos intermitentes, circuitos abiertos y múltiples conexiones a tierra. Revise la polaridad de los terminales de señal. Revise la impedancia del bucle. |

Tabla 3: resolución de problemas

IS CONTROL DRAWING

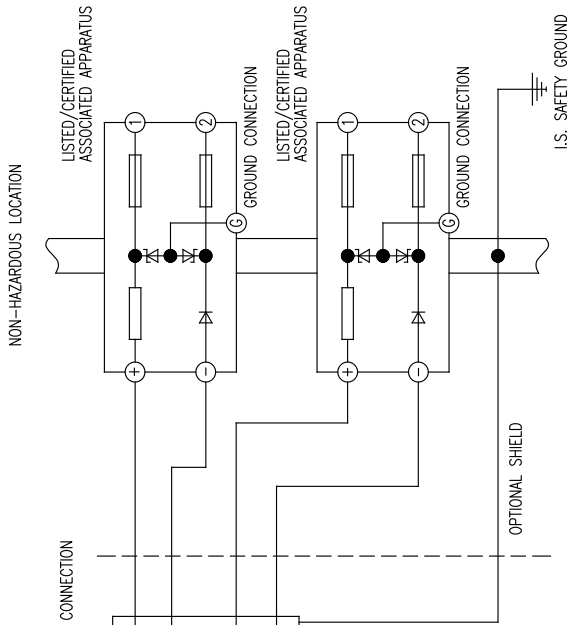
CATALOG NUMBERS:
PMT2-99-b-U2c

c IS BLANK OR ST (STAINLESS STEEL TAG)
b IS A (3/4 MNPT) OR B (1.5" TRI-CLAMP) PROCESS CONNECTION
aa IS TWO NUMERIC CHARACTERS 00 THRU 36

| TABLE 1: | |
|----------------|----------------------|
| U.S. EQUIPMENT | Associated Apparatus |
| Vmax (U) | Voc OR Vt (Uo) |
| Imax (I) | Isc OR It (Io) |
| Pmax (P) | Po |
| Li + Ccable | Ca (Co) |
| Li + Lcable | La (Lo) |

PMT2 SERIES TRANSMITTER
4 TO 20 mA SIGNAL
REMOTE ZERO
Vmax (U) = 28VDC
Imax (I) = 9.3mA
Ci = 0.022uF
Li = 0.373mH
Pmax (P) = 651mW

HAZARDOUS (CLASSIFIED) LOCATION INTRINSICALLY SAFE FOR:
CLASS I DIV. 1 GROUPS C, D
CLASS II DIV. 1 GROUPS E, F, G
CLASS III DIV. 1
CLASS 1 ZONE 0 AEx ia IIB T4 Ga
CLASS 1 ZONE 0 Ex ia IIB T4 Ga
T4 To = -40°C TO 63°C TYPE 4, IP 66
MAXIMUM PROCESS TEMPERATURE 120°C



1. SELECTED ASSOCIATED APPARATUS MUST BE THIRD PARTY LISTED AS PROVIDING INTRINSICALLY SAFE CIRCUITS FOR THE APPLICATION, AND HAVE Voc OR Vt NOT EXCEEDING Vmax (OR Uo NOT EXCEEDING U), Isc OR It NOT EXCEEDING I, AND THE Po OF THE ASSOCIATED APPARATUS MUST BE LESS THAN OR EQUAL TO THE Pmax OR Pi OF THE INTRINSICALLY SAFE EQUIPMENT, AS SHOWN IN TABLE 1.
2. ASSOCIATED APPARATUS OUTPUT CURRENT MUST BE LIMITED BY A RESISTOR SUCH THAT THE OUTPUT VOLTAGE-CURRENT PLOT IS A STRAIGHT LINE DRAWN BETWEEN OPEN-CIRCUIT VOLTAGE AND SHORT-CIRCUIT CURRENT.
3. CAPACITANCE AND INDUCTANCE OF THE FIELD WIRING FROM THE INTRINSICALLY SAFE EQUIPMENT TO THE ASSOCIATED APPARATUS SHALL BE CALCULATED AND MUST BE INCLUDED IN THE SYSTEM CALCULATIONS AS SHOWN IN TABLE 1. CABLE CAPACITANCE, Ccable, PLUS INTRINSICALLY SAFE EQUIPMENT CAPACITANCE, Ci, MUST BE LESS THAN THE MARKED CAPACITANCE, Ca (OR Co) SHOWN ON ANY ASSOCIATED APPARATUS USED. THE SAME APPLIES FOR INDUCTANCE (Lcable, Li AND Lo OR Lo RESPECTIVELY), WHERE THE CABLE CAPACITANCE AND INDUCTANCE PER FOOT ARE NOT KNOWN, THE FOLLOWING VALUES SHALL BE USED: Ccable = 60 PF/FT. (200 PF/M), Lcable = 0.2 uH/FT. (0.6 uH/M)
4. EQUIPMENT CONNECTED TO THE ASSOCIATED APPARATUS MUST NOT USE OR GENERATE MORE THAN 250 Vrms OR VDC.
5. 4 TO 20 mA SIGNAL AND REMOTE ZERO MUST BE TREATED AS SEPARATE INTRINSICALLY SAFE CIRCUITS.
6. WHERE MULTIPLE CIRCUITS EXTEND FROM THE SAME PIECE OF INTRINSICALLY SAFE EQUIPMENT TO ASSOCIATED APPARATUS, THEY MUST BE INSTALLED IN SEPARATE CABLES OR IN ONE CABLE HAVING SUITABLE INSULATION. REFER TO ARTICLE 504.30(B) OF THE NATIONAL ELECTRICAL CODE (ANSI/NFPA 70) FOR INSTALLATION IN THE UNITED STATES OR SECTION 18 OF THE CANADIAN ELECTRICAL CODE (CSA C22.1) FOR INSTALLATION IN CANADA AND INSTRUMENT SOCIETY OF AMERICA RECOMMENDED PRACTICE ISA RPT2.06 FOR INSTALLING INTRINSICALLY SAFE EQUIPMENT.
7. THE UL MARK APPLIES TO THE PRODUCT AS IT IS ORIGINALLY MANUFACTURED WHEN SHIPPED FROM THE FACTORY. AUTHORIZED USE OF THE UL MARK IS THE MANUFACTURER'S DECLARATION THAT THE PRODUCT WAS ORIGINALLY MANUFACTURED IN ACCORDANCE WITH THE APPLICABLE REQUIREMENTS. UL DOES NOT KNOW WHAT THE EFFECT OF A MODIFICATION MAY HAVE ON THE SAFETY OF THE PRODUCT OR THE CONTINUED VALIDITY OF THE UL CERTIFICATION MARK UNLESS THE FIELD MODIFICATIONS HAVE BEEN SPECIFICALLY INVESTIGATED BY UL. UNLESS UL INVESTIGATES A MODIFIED PRODUCT, UL CANNOT INDICATE THAT THE PRODUCT CONTINUES TO MEET UL'S SAFETY REQUIREMENTS.
8. THE ASSOCIATED APPARATUS MANUFACTURER'S INSTALLATION INSTRUCTIONS MUST BE FOLLOWED WHEN INSTALLING THE EQUIPMENT.
9. ALL OPENINGS TO ENCLOSURE MUST BE SEALED USING SUITABLE GLANDS AND/OR PLUG MAINTAINING A MINIMUM IP RATING OF IP60.
10. WARNING - ENCLOSURE PARTS ARE CONSTRUCTED OF ALUMINUM. ENCLOSURE MUST BE PROTECTED FROM IGNITION HAZARD DUE TO IMPACT OR FRICTION.
11. WARNING - SUBSTITUTION OF COMPONENTS MAY IMPAIR INTRINSIC SAFETY.
12. WARNING - TO PREVENT IGNITION OF FLAMMABLE OR COMBUSTIBLE ATMOSPHERES, READ, UNDERSTAND AND ADHERE TO THE MANUFACTURER'S LIVE MAINTENANCE PROCEDURES.

STANDARDS:
AS REFERENCE BY UL 913 - 8th EDITION
UL 60079-0 - 6th EDITION
UL 60079-11 - 6th EDITION

CAN/CSA C22.2 NO. 157-92:12
CAN/CSA C22.2 NO. 60079-0:11
CAN/CSA C22.2 NO. 60079-11:14

| SCALE 1:2 | |
|--|----------|
| DATE | 12-23-14 |
| DWN BY | DMK/KAS |
| CHKD | HMS |
| APPRD | DMK |
| BY/DATE | |
| CHANGES | |
| NO. | |
| <p>NOTE: This drawing and the principles and elements of design embodied therein are the exclusive property of DWYER INSTRUMENTS, INC. and are not to be communicated, disseminated, reproduced or used in any way without the express written consent of DWYER INSTRUMENTS, INC. and are not to be submitted for examination without the written consent of DWYER INSTRUMENTS, INC.</p> | |
| DATE | AS02002 |
| 3 | |

| DATE | NAME |
|----------|--------------------|
| 12-23-14 | IS CONTROL DRAWING |
| | PMT2 |

| MATERIAL |
|----------|
| FINISH |

DWYER INSTRUMENTS, INC.
MICHIGAN CITY, INDIANA 46360 U.S.A.

FR. NO. 001744-48

IS CONTROL DRAWING
ATEX/IECEX

CATALOG NUMBERS:
PMT2-gg-b-AZc

OPTIONS

BLANK - NONE
M2 - M20 ELECTRICAL ENTRIES
ST - STAINLESS STEEL TAG

PROCESS CONNECTION

A - 3/4" MALE NPT
B - 1.5" TRI-CLAMP WITH 1" NPT MALE
C - 3/4" MALE BSPT
D - 1.5" TRI-CLAMP WITH 1" BSPT

PROBE LENGTH - TWO NUMERIC CHARACTERS

| TABLE 1: | |
|--------------|----------------------|
| IS EQUIPMENT | Associated Apparatus |
| Vmax (U) | Voc OR Vt (Uo) |
| Imax (I) | Isc OR It (Io) |
| Pmax (P) | Po |
| Ct + Ccable | Ca (Co) |
| Lt + Lcable | La (Lo) |

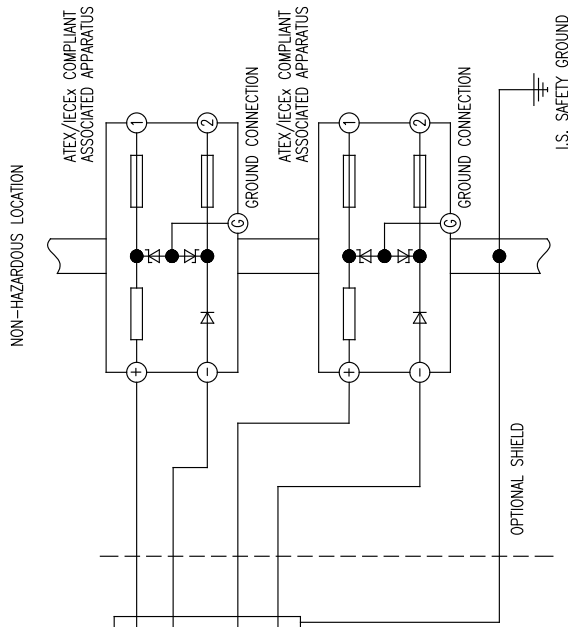
PMT2 SERIES TRANSMITTER
4 TO 20 mA SIGNAL
REMOTE ZERO
Vmax (U) = 28VDC
Imax (I) = 9.3mA
Ct = 0.022uF
Lt = 0.373mH
Pmax (P) = 651mW

ATEX CLASSIFICATION: $\text{II 1 G Ex ia IIB T4 Ga}$ ($-40^{\circ}\text{C} \leq \text{Tamb} \leq 63^{\circ}\text{C}$) ($-40^{\circ} \leq \text{Tprocess} \leq 120^{\circ}\text{C}$)
 $\text{II 1 D Ex ia IIIC T120^{\circ}\text{C Da}$ ($-40^{\circ}\text{C} \leq \text{Tamb} \leq 63^{\circ}\text{C}$) ($-40^{\circ} \leq \text{Tprocess} \leq 120^{\circ}\text{C}$)
 IECEX CLASSIFICATION: Ex ia IIB T4 Ga ($-40^{\circ}\text{C} \leq \text{Tamb} \leq 63^{\circ}\text{C}$) ($-40^{\circ} \leq \text{Tprocess} \leq 120^{\circ}\text{C}$)
 $\text{Ex ia IIIC T120^{\circ}\text{C Da}$ ($-40^{\circ}\text{C} \leq \text{Tamb} \leq 63^{\circ}\text{C}$) ($-40^{\circ} \leq \text{Tprocess} \leq 120^{\circ}\text{C}$)

- SELECTED ASSOCIATED APPARATUS MUST BE THIRD PARTY CERTIFIED AS PROVIDING INTRINSICALLY SAFE CIRCUITS FOR THE APPLICATION, AND HAVE Voc OR Vt NOT EXCEEDING Vmax (OR Uo NOT EXCEEDING U), Isc OR It NOT EXCEEDING I, AND THE Po OF THE ASSOCIATED APPARATUS MUST BE LESS THAN OR EQUAL TO THE Pmax OR Pt OF THE INTRINSICALLY SAFE EQUIPMENT, AS SHOWN IN TABLE 1
- EQUIPMENT CONNECTED TO THE ASSOCIATED APPARATUS MUST NOT USE OR GENERATE MORE THAN 250 Vrms OR VDC.
- 4 TO 20 mA SIGNAL AND REMOTE ZERO MUST BE TREATED AS SEPARATE INTRINSICALLY SAFE CIRCUITS.
- THE ASSOCIATED APPARATUS MANUFACTURER'S INSTALLATION INSTRUCTIONS MUST BE FOLLOWED WHEN INSTALLING THE EQUIPMENT.
- WARNING - ENCLOSURE SHALL BE SEALED BY CABLE ENTRY DEVICE AND BLANKING ELEMENT; CABLE ENTRY DEVICE AND BLANKING ELEMENT SHALL BE CERTIFIED Ex d OR Ex e WITH A IP66 RATING MINIMUM AND 89.4°C MINIMUM SERVICE TEMPERATURE.
- WARNING - ALL FIELD WIRING SHALL BE SUITABLE FOR AN AMBIENT TEMPERATURE RANGE OF -40°C TO 89.4°C .
- WARNING - ENCLOSURE PARTS ARE CONSTRUCTED OF ALUMINUM. ENCLOSURE MUST BE PROTECTED FROM IGNITION HAZARD DUE TO IMPACT OR FRICTION.
- WARNING - SUBSTITUTION OF COMPONENTS MAY IMPAIR INTRINSIC SAFETY.
- WARNING - TO PREVENT IGNITION OF FLAMMABLE OR COMBUSTIBLE ATMOSPHERES, READ, UNDERSTAND AND ADHERE TO THE MANUFACTURER'S LIVE MAINTENANCE PROCEDURES.
- NO REVISIONS TO THIS DRAWING WITHOUT PRIOR APPROVAL BY UL/DEMCO.

ATEX STANDARDS: EN 60079-0:2012/A11:2013
EN 60079-11: 2012

IECEX STANDARDS: IEC 60079-0: 2011/ISH1:2014
IEC 60079-11: 2011/SH1:2014



⊕ = CRITICAL DIMENSION
DIMENSIONS IN PARENTHESES UNLESS NOTED:
ALL DIMENSIONS IN MILLIMETERS ± .005
ALL ANGLES ± 1°

SCALE 1:2

| DATE | | NAME | | MATERIAL | |
|--|--|--------------------|--|----------|--|
| 09-15-16 | | IS CONTROL DRAWING | | FINISH | |
| DWN BY KAS | | ATEX/IECEX | | | |
| CHKD | | PMT2 | | | |
| CAT | | | | | |
| APFD | | | | | |
| BY/DATE | | | | | |
| CHANGES | | | | | |
| NO. | | | | | |
| <p>NOTICE: This drawing and the principles and elements of design embodied therein are the exclusive property of DWYER INSTRUMENTS, INC. and are not to be communicated, disseminated, reproduced or used, in whole or in part, without the prior written consent of DWYER INSTRUMENTS, INC. and must not be submitted to outside parties for examination without the written consent of DWYER INSTRUMENTS, INC.</p> | | | | | |
| ACAD0002 | | | | 3 | |

DWYER INSTRUMENTS, INC.
MICHIGAN CITY, INDIANA 46360 U.S.A.

FR. NO. 001744-81

001744-81

001744-81