

LED..O..M Series Diffused On-Axis Lights



Datasheet

Uniform lighting for machine vision applications



- Diffused on-axis illumination provides uniform lighting for specular surfaces
- Five light colors
- Two sizes available
- Continuous or strobed operation selectable via sensor software
- Glass dust-covered models available (model numbers ending in -D)
- Bracket options available

Models

Without Dust Cover	With Dust Cover ¹	Color	Aperture Size	Cable ²	Connections	Ambient Light Filter Kit
LEDRO50M	LEDRO50M-D	Visible Red (630 nm)	50 mm	0.6 m (2 ft) attached pigtail	8 mm male Pico-style (for direct connection to PresencePLUS P4 sensor)	FLTR
LEDIO50M	LEDIO50M-D	Infrared (880 nm)				FLTI
LEDBO50M	LEDBO50M-D	Blue (470 nm)				FLTB
LEDWO50M	LEDWO50M-D	White (5500 K)				—
LEDGO50M	LEDGO50M-D	Green (530 nm)				FLTG
LEDRO100M	LEDRO100M-D	Visible Red (630 nm)	100 mm			FLTR
LEDIO100M	LEDIO100M-D	Infrared (880 nm)				FLTI
LEDBO100M	LEDBO100M-D	Blue (470 nm)				FLTB
LEDWO100M	LEDWO100M-D	White (5500 K)				—
LEDGO100M	LEDGO100M-D	Green (530 nm)				FLTG

¹ Optical glass anti-reflective coating, both sides.

² Extension cables with flying leads are available for connecting to models other than PresencePLUS P4.



Specifications

Light Source

Visible red LED (630 nm), Infrared (880 nm), Blue (470 nm), White (5500 K), or Green

Supply Voltage and Current

24 V dc \pm 10% 500 mA maximum, 125 mA maximum for 50 mm models. Direct connect to *PresencePLUS* P4 sensor operating at 24 V dc only

Construction

Housing: aluminum with black anodizing
 Beam Splitter: optical glass with optical coatings on both sides
 Diffuser: high-precision cast acrylic
 Dust Cover: optical glass with broadband anti-reflective coating (425 nm to 675 nm) (some models)

Useful Life

When operated within specifications, output will decrease less than 20% after 10,000 hours and less than 30% after 20,000 hours (based on continuous operation). NOTE: Actual useful life of strobed lights depends on duty cycle.

Operating Conditions

Temperature: 0 °C to +50 °C (+32 °F to +122 °F)
 Humidity: 90% at +50 °C maximum relative humidity (non-condensing)

Cleaning Instructions

Handle the sensor with care during installation and operation. Sensor windows soiled by fingerprints, dust, water, oil, etc. may create stray light that may degrade the peak performance of the sensor. Blow the window clear using filtered, compressed air, then clean as necessary using a lens cloth and lens cleaner or window cleaner. Do not use any other chemicals for cleaning.

Installation

Before installing an on-axis light, it is recommended that the listed ambient light filter be installed behind the camera lens. The filter improves image quality by reducing unwanted ambient light.

- 100 mm models: 50 x 50 mm suggested field of view and 25 mm minimum suggested stand off
- 50 mm models: 25 x 25 mm suggested field of view and 25 mm minimum suggested stand off

Certification



Dimensions

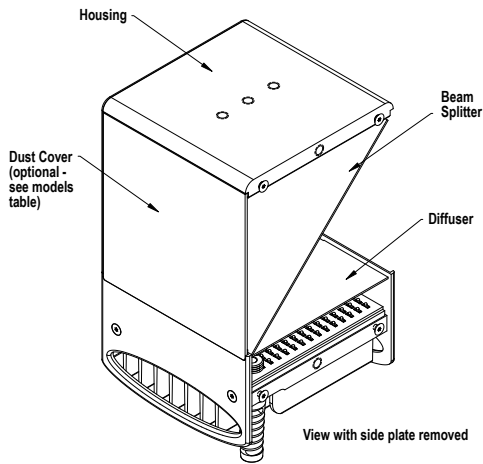


Figure 1. View With Side Plate Removed

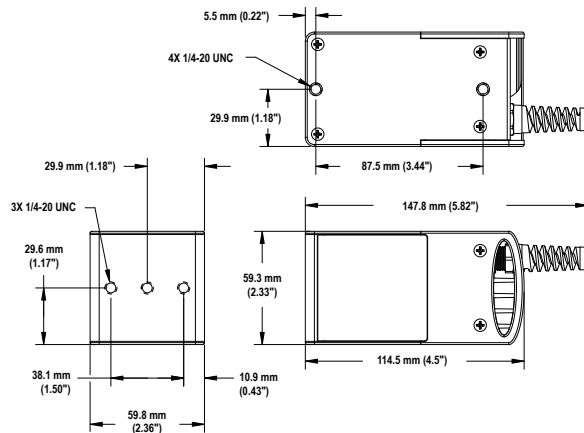


Figure 2. 55 mm Models

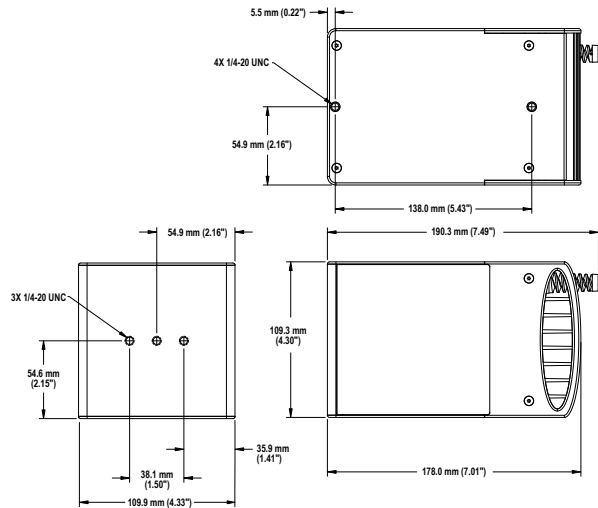


Figure 3. 100 mm Models

All measurements are listed in millimeters (inches), unless noted otherwise.

Wiring

On-Axis Light Wire	PresencePLUS Pro Controller Terminal Block	External Power Supply (Strobed)	External Power Supply (Continuous)
Brown	Pin 1, +V (24 V dc \pm 10%)	+V	+V
Blue	Pin 2, -V (dc common)	-V	-V
Black	Pin 4 (strobe)	+5 V dc to 24 V dc OFF -V ON	-V

Accessories

3-Pin Threaded M8/Pico-Style Cordsets				
Model	Length	Style	Dimensions	Pinout (Female)
PKG3M-2	2 m (6.56 ft)	Straight		<p>1 = Brown 3 = Blue 4 = Black</p>
PKG3M-5	5 m (16.40 ft)			
PKG3M-7	7 m (22.97 ft)			
PKG3M-9	9 m (29.53 ft)			
PKG3M-10	10 m (32.81 ft)			

Mounting Brackets

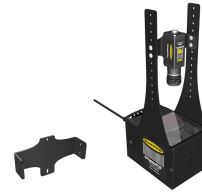
SMBP4OAL100

- For use with right-angle or in-line P4 sensors and 100 mm on-axis light
- Centers lens on light opening
- Black zinc-plated steel
- (4) M5 and (4) ¼-20 socket drive, button-head screws included



SMBPPOAL100

- For use with Pro sensors and 100 mm on-axis light
- Centers lens on light opening
- Black zinc-plated steel
- (4) M5 and (4) ¼-20 socket drive, button-head screws included

**SMBP4OAL50**

- For use with right-angle or in-line P4 sensors and 50 mm on-axis light
- Centers lens on light opening
- Black anodized aluminum and zinc-plated steel
- (4) M3 flat head torx, (4) M5 and (4) ¼-20 socket drive, button-head screws included

**SMBPPOAL50**

- For use with Pro sensors and 50 mm on-axis light
- Centers lens on light opening
- Black zinc-plated steel
- (4) M5 and (4) ¼-20 socket drive, button-head screws included



Banner Engineering Corp Limited Warranty

Banner Engineering Corp. warrants its products to be free from defects in material and workmanship for one year following the date of shipment. Banner Engineering Corp. will repair or replace, free of charge, any product of its manufacture which, at the time it is returned to the factory, is found to have been defective during the warranty period. This warranty does not cover damage or liability for misuse, abuse, or the improper application or installation of the Banner product.

THIS LIMITED WARRANTY IS EXCLUSIVE AND IN LIEU OF ALL OTHER WARRANTIES WHETHER EXPRESS OR IMPLIED (INCLUDING, WITHOUT LIMITATION, ANY WARRANTY OF MERCHANTABILITY OR FITNESS FOR A PARTICULAR PURPOSE), AND WHETHER ARISING UNDER COURSE OF PERFORMANCE, COURSE OF DEALING OR TRADE USAGE.

This Warranty is exclusive and limited to repair or, at the discretion of Banner Engineering Corp., replacement. IN NO EVENT SHALL BANNER ENGINEERING CORP. BE LIABLE TO BUYER OR ANY OTHER PERSON OR ENTITY FOR ANY EXTRA COSTS, EXPENSES, LOSSES, LOSS OF PROFITS, OR ANY INCIDENTAL, CONSEQUENTIAL OR SPECIAL DAMAGES RESULTING FROM ANY PRODUCT DEFECT OR FROM THE USE OR INABILITY TO USE THE PRODUCT, WHETHER ARISING IN CONTRACT OR WARRANTY, STATUTE, TORT, STRICT LIABILITY, NEGLIGENCE, OR OTHERWISE.

Banner Engineering Corp. reserves the right to change, modify or improve the design of the product without assuming any obligations or liabilities relating to any product previously manufactured by Banner Engineering Corp.