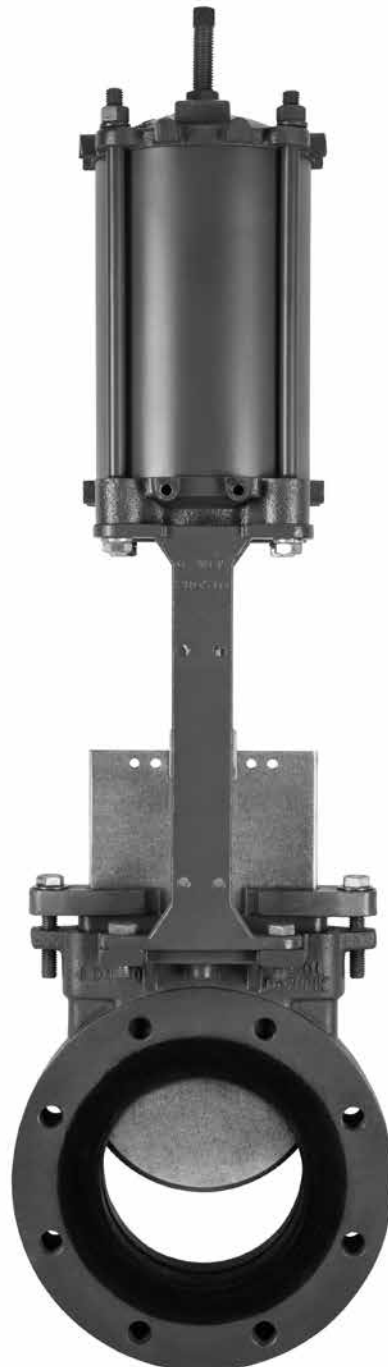




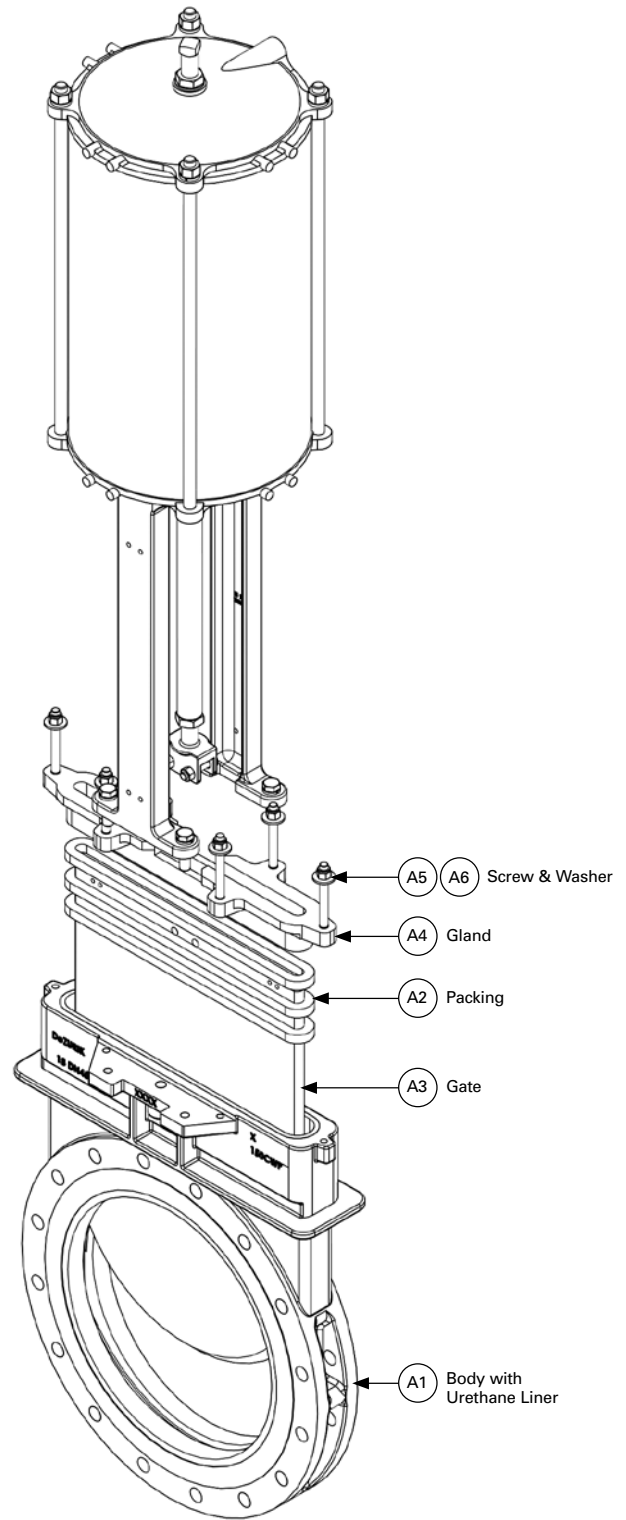
## **DeZURIK KUL URETHANE LINED KNIFE GATE VALVES TECHNICAL SPECIFICATIONS**



- **Materials of Construction**
- **Specifications**
- **Ordering**
- **Dimensions**

# Materials of Construction

Item	Description	Material
A1	Body	Ductile Iron, ASTM A395, Grade 65-45-15 with Urethane Liner (see page 3).
A2	Packing	SMP - PTFE Square Braided Packing to 500°F (260°C) (pH Range 0-14)
		ASP - Self-Adjusting PTFE Braided Packing with Fluoroelastomer Cord to 400°F (205°C) (pH Range 0-14)
		TDP - Dry Service, Dry PTFE Braided Packing with Solid PTFE Cord to 500°F (260°C) (pH Range 0-14)
		FGP - Food Grade Service to 450°F (232°C) (pH Range 3-11)
A3	Gate	304 Stainless Steel, ASTM A240
		316 Stainless Steel, ASTM A240
		17-4 Stainless Steel H900 Heat Treated, ASTM A564, Type 630 Condition H900
		254-SMO Stainless Steel, ASTM A240 S31254
		410 Stainless Steel, ASTM A240
		2205 Duplex Stainless Steel, ASTM A240 S31803 or S32205
	Hastelloy C, ASTM B575 C22	
A4	Gland	316 Stainless Steel, ASTM A351, Type CF-8M
A5	Screw	Stainless Steel 18-8
A6	Washer	Stainless Steel 18-8



# Valve Selection

## Seat/Packing Options

Seat Characteristic	Description	Type	Color	Packing Options	Temperature Range
EU	Urethane, General Water Service	Polyether	Black	SMP, ASP, TDP	-20 to 175°F (-29 to 80°C)
AUCO	Urethane, Oil Service	Polyester	Clear	SMP, ASP, TDP	0 to 175°F (-18 to 80°C)
EUCW	Urethane, Water Service	Polyether	Clear	SMP, ASP, TDP	-20 to 210°F (-29 to 100°C)
AUFO	Urethane, Food Grade Oil Service	Polyester	White	FGP	-20 to 175°F (-29 to 80°C)
EUFW	Urethane, Food Grade Water Service	Polyether	White	FGP	-20 to 175°F (-29 to 80°C)
EUHT	Urethane, High Temp Service	Polyether	Red	SMP, ASP, TDP	-20 to 265°F (-29 to 130°C)
BRPA	Urethane, Phosphoric Acid Service	Polybutadiene	Green	SMP, ASP	5 to 200°F (-15 to 90°C)

NOTE: The limiting factor in valve selection is the lowest temperature component.

### Shut-Off Capabilities

Urethane Seat	Bi-directional leak tight/zero leakage, good for dead-end service.
---------------	--

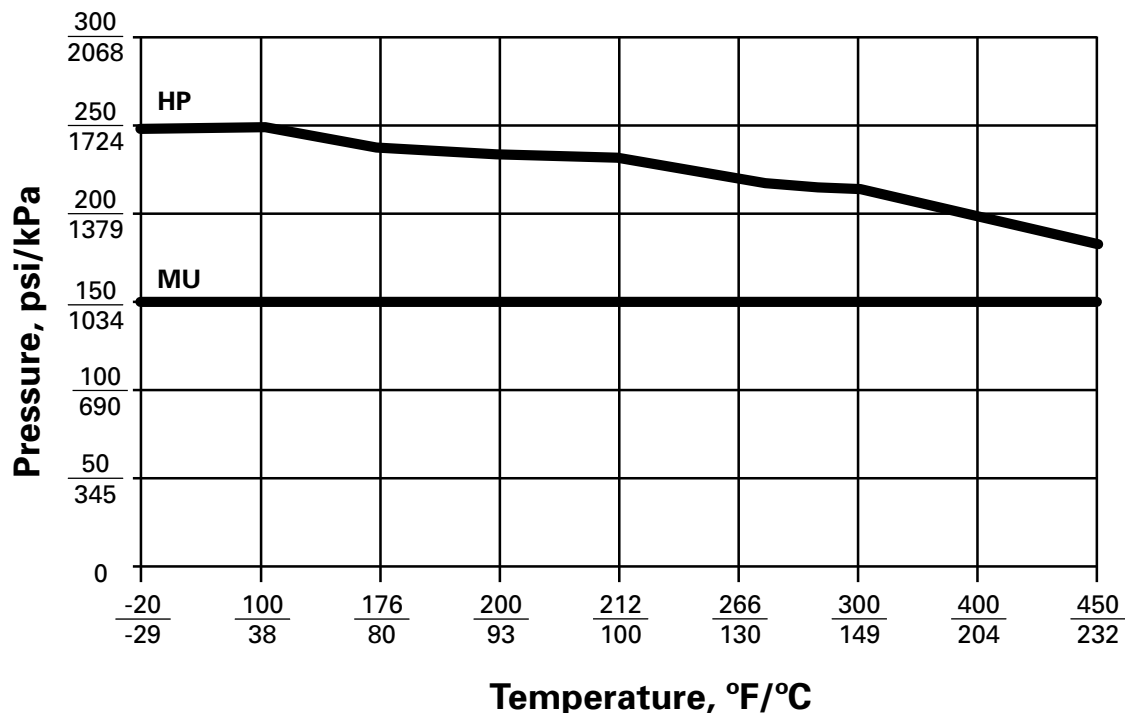
### Pressure Ratings (Ambient Temperatures)

Valve Size	Direct Pressure	Reverse Pressure
2-48" (50-1200mm)	150 or 250 psi CWP 1035 or 1724 kPa CWP	150 or 250 psi CWP 1035 or 1724 kPa CWP

### Applicable Standards

DeZURIK KUL Knife Gate Valves are designed and/or tested to meet the following standards:	
ASME B16.1 (ASA B16.1) 8-24" (200-600mm)	Cast Iron Pipe Flanges and Flanged Fittings, 125 lbs. Conforms to related flange drilling dimensions.
ASME B16.5 2-6" (50-150mm)	Carbon Steel Flanges and Flanged Fittings, 150 lbs. Conforms to related flange drilling dimensions.
International Standards	Conforms to flanged bolt guides and pressure ratings JIS 10; DIN 10 and DIN 16; ISO 7005-1/PN 10 and 7005-2/PN 16; BS 4504/ PN16; AS2129 table D and E; SANS 1123-1000 and SANS 1123-1600.
MSS SP-81	Conforms to face-to-face dimensions and pressure rating. 2-20" & 24" (50-500mm & 600mm)
MSS SP-148	Low Pressure Flanged or Lugged Carbon Steel and Iron or Ductile Iron, Cast or Fabricated, Bonnetless, Knife Gate Valves without Liners
ASME B16.47	Large diameter steel Flanges. Series A. 30-48" (750-1200mm) sizes conform to related dimensions
ASME B16.42	Class 150. Conforms to minimum wall thickness 2-24" sizes
ASME B31.3	Process piping. Conforms to allowable stresses and minimum temperature.

### Pressure/Temperature Ratings for Ductile Iron Body\*



\* Urethane compound temperature limit is the limiting factor in valve selection.

## Flow Parameters

Valve Size	Cv* Kv* 100% Open	K** (resistance)	Port Area (in <sup>2</sup> /cm <sup>2</sup> )
2" 50mm	300 260	0.120	3 20
3" 80mm	665 576	0.120	7 45
4" 100mm	1199 1038	0.120	13 84
5" 125mm	1900 1640	0.120	20 126
6" 150mm	2697 2334	0.120	28 181
8" 200mm	4794 4149	0.112	50 323
10" 250mm	7491 6483	0.112	79 510
12" 300mm	10787 9338	0.104	113 729
14" 350mm	13152 11383	0.104	138 890

Valve Size	Cv* Kv* 100% Open	K** (resistance)	Port Area (in <sup>2</sup> /cm <sup>2</sup> )
14" 350mm	13152 11383	0.104	138 890
16" 400mm	17421 15078	0.104	183 1181
18" 450mm	22290 19292	0.096	234 1510
20" 500mm	27759 24025	0.096	291 1877
24" 600mm	40494 35053	0.096	425 2742
30" 750mm	64090 46158	0.096	672 4335
36" 900mm	93080 80560	0.096	976 6297
42" 1050mm	126000 109000	0.096	1336 8620
48" 1200mm	165000 142700	0.096	1750 11290

\*Cv = Flow in GPM of water at 1 psi pressure drop.  
Kv = Flow in m<sup>3</sup>/hr. of water at 100 kPa pressure drop.  
\*\* K = The resistance coefficient of the valve.  
The constant (K) can be used to determine the equivalent length of pipe.

$$L = \frac{K \times D}{f}$$

Where

- L = Equivalent length of pipe in feet
- K = Resistance coefficient
- D = Pipe diameter in feet
- f = Friction factor, related to type of pipe

## Valve Weights

Valve Size	Basic Valve	With Handwheel	With Chainwheel	With Bevel Gear Handwheel		With Bevel Gear Chainwheel		With Cylinder		
				Standard & 180°	90° & 270°	Standard & 180°	90° & 270°	Size	Lbs	Kg
2" 50mm	16 8	26 12	38 18	—	—	—	—	4"	31	15
3" 80mm	22 10	33 15	45 21	94 43	94 43	106 49	106 49	4"	37	17
4" 100mm	29 14	43 20	54 25	103 47	103 47	112 51	112 51	4" 6"	50 66	23 30
5" 125mm	40 19	53 25	67 31	117 54	117 54	124 57	124 57	4" 6" 8"	61 74 86	28 34 40
6" 150mm	45 21	64 30	78 36	122 56	122 56	129 59	129 59	4" 6" 8"	69 82 91	32 38 42
8" 200mm	86 40	107 49	121 55	169 77	169 77	176 80	176 80	6" 8" 10"	126 137 174	58 63 79
10" 250mm	122 56	144 66	178 81	215 98	215 98	223 102	223 102	8" 10" 12"	190 219 249	87 100 113
12" 300mm	179 82	218 99	251 114	274 125	274 125	283 129	283 129	8" 10" 12"	250 279 309	114 127 141
14" 350mm	203 93	267 122	282 128	335 152	385 175	338 154	386 176	10" 12"	313 343	143 156
16" 400mm	289 132	361 164	390 177	430 196	478 217	432 197	480 218	10" 12" 14"	409 439 463	186 200 211
18" 450mm	397 181	—	—	551 250	599 272	551 250	559 272	12" 14" 16"	562 586 1071	255 266 486
20" 500mm	511 232	—	—	679 309	723 329	700 318	748 340	12" 14" 16"	691 715 1310	314 325 595
24" 600mm	783 356	—	—	969 440	1017 462	989 449	1037 471	12" 14" 16" 18"	964 987 1707 1753	438 448 775 796
30" 750mm	1563 710	—	—	1755 797	1853 841	1818 825	1915 869	—	—	—
36" 900mm	2440 1108	—	—	2643 1200	2740 1244	2705 1228	2803 1272	—	—	—
42" 1050mm	3929 1783	—	—	4321 1961	4464 2026	4378 1987	4522 2052	—	—	—
48" 1200mm	5449 2473	—	—	6003 2724	6205 2816	—	—	—	—	—

# Ordering

To order, simply complete the valve order code from information shown. An ordering example is shown for your reference.

<b>Valve Style</b> Give valve style code as follows: KUL = Urethane Lined Knife Gate Valve
--

<b>Valve Size</b> Give valve size code as follows:	
2 = 2" (50mm)	16 = 16" (400mm)
3 = 3" (80mm)	18 = 18" (450mm)
4 = 4" (100mm)	20 = 20" (500mm)
5 = 5" (125mm)	24 = 24" (600mm)
6 = 6" (150mm)	30 = 30" (750mm)
8 = 8" (200mm)	36 = 36" (900mm)
10 = 10" (250mm)	42 = 42" (1050mm)
12 = 12" (300mm)	48 = 48" (1200mm)
14 = 14" (350mm)	

<b>Body Style</b> Give body style code as follows: MU = Multi-use to 150 psi (1035 kPa) HP = High Pressure to 250 psi (1725 kPa) Must use S5, S8, or S10 gate material.
--

<b>End Connection</b> Give end connection code as follows:
F1 = ASME 150 UNC Tapping for Threads
F110 = ISO 7005/PN10 Drilling
F116 = ISO 7005/PN16 Drilling
F1DA = AS2129 Table D Drilling
F1EA = AS2129 Table E Drilling
F1T = ASME 150 Through Bolting
F1S10 = SANS1123-1000
F1S16 = SANS1123-1600
F1J1 = JIS 10 Drilling

<b>Body Material</b> Give body material code as follows: DI = Ductile Iron
--

<b>Packing Material</b> Give packing material code as follows:
SMP = PTFE Braided Packing to 500°F (260°C) (pH Range 0-14)
ASP = Self-Adjusting PTFE Braided Packing with Fluoroelastomer Cord to 400° F (205° C) (pH Range 0-14)
TDP = Dry Service, Dry PTFE Braided Packing with Solid PTFE Cord to 500°F (260°C) (pH Range: 0-14)
FGP = Food Grade Service to 450°F (232°C) (pH Range: 3-11)

<b>Gate Material</b> Give gate material code as follows:
S1 = 304 Stainless Steel (MU Body Style)
S2 = 316 Stainless Steel (MU Body Style)
S5 = 17-4 Stainless Steel H900 Heat Treated (MU or HP Body Style)
S6 = 254 Stainless Steel (MU Body Style)
HC = Hastelloy C (MU Body Style)
S8 = 410 Stainless Steel (MU or HP Body Style)
S10 = 2205 Duplex Stainless Steel (MU or HP Body Style)

<b>Seat Material</b> Give seat material code as follows:
EU = Polyether Urethane, General Water Service -20 to 175°F (-29 to 80°C)
AUCO = Polyester Urethane, Clear Oil Service 0 to 175°F (-18 to 80°C)
EUCW = Polyether Urethane, Clear Water Service -20 to 210°F (-29 to 100°C)
AUFO = Polyester Urethane, Food Grade Oil Service -20 to 175°F (-29 to 80°C)
EUFW = Polyether Urethane, Food Grade Water Service -20 to 175°F (-29 to 80°C)
EUHT = Polyether Urethane, High Temp Service -20 to 265°F (-29 to 130°C)
BRPA = Polybutadiene Urethane, Phosphoric Acid Service 5 to 200°F (-15 to 90°C)

<b>Options</b> Give option code as follows:
CMC = Certificate of Material Conformance
CRT = Certified Physical and Chemical Test Reports
— = Optional Coating (contact DeZURIK)

**Ordering Example:**  
KUL,6,MU,F1,DI,SMP,S1-EU\*actuator

# Manual Actuators

## Handwheel and Chainwheel Actuators

All 2-16" (50-400mm) valves can be furnished with handwheel actuators or chainwheel actuators. To order handwheel or chainwheel actuators, add the appropriate order code to the basic valve order code. Refer to information on bevel gear actuators for use on dry solids, paper stock, slurries or when pressure exceeds limits shown. Order chain for chainwheel actuators as a separate item.

### Handwheel Actuator

Valve Size	Order Code	Order Code	Maximum Pressure Differential psi/kPa
	Carbon Steel (CS) Yoke	304 SST (S1) Yoke	
2" 50mm	MN-HD8-CS	MN-HD8-S1	250 1725
3" 80mm	MN-HD8-CS	MN-HD8-S1	250 1725
4" 100mm	MN-HD12-CS	MN-HD12-S1	250 1725
5" 125mm	MN-HD12-CS	MN-HD12-S1	150 1035
	MN-HD16-CS	MN-HD16-S1	250 1725
6" 150mm	MN-HD12-CS	MN-HD12-S1	150 1035
	MN-HD16-CS	MN-HD16-S1	250 1725
8" 200mm	MN-HD16-CS	MN-HD16-S1	250 1725
10" 250mm	MN-HD16-CS	MN-HD16-S1	150 1035
12" 300mm	MN-HD16-CS	MN-HD16-S1	150 1035
14" 350mm	MN-HD20-CS	MN-HD20-S1	100 690
16" 400mm	MN-HD20-CS	MN-HD20-S1	75 518

NOTE: The limiting factor in actuator selection is the lowest pressure rating of the valve or actuator.

Bevel gear actuators recommended for dry solids, paper stocks, slurries, or when pressure exceeds limits shown.

#### Ordering Example:

KUL,6,MU,F1,DI,SMP,S1-EU\*MN-HD12-CS

### Chainwheel Actuator

Valve Size	Order Code	Order Code	Maximum Pressure Differential psi/kPa
	Carbon Steel (CS) Yoke	304 SST (S1) Yoke	
2" 50mm	MN-CW8-CS	MN-CW8-S1	250 1725
3" 80mm	MN-CW8-CS	MN-CW8-S1	250 1725
4" 100mm	MN-CW12-CS	MN-CW12-S1	250 1725
5" 125mm	MN-CW12-CS	MN-CW12-S1	150 1035
	MN-CW20-CS	MN-CW20-S1	250 1725
6" 150mm	MN-CW12-CS	MN-CW12-S1	100 690
	MN-CW20-CS	MN-CW20-S1	250 1725
8" 200mm	MN-CW12-CS	MN-CW12-S1	100 690
	MN-CW20-CS	MN-CW20-S1	150 1035
10" 250mm	MN-CW20-CS	MN-CW20-S1	100 690
12" 300mm	MN-CW20-CS	MN-CW20-S1	100 690
14" 350mm	MN-CW20-CS	MN-CW20-S1	100 690
	MN-CW30-CS	MN-CW30-S1	150 1035
16" 400mm	MN-CW30-CS	MN-CW30-S1	100 690

NOTE: The limiting factor in actuator selection is the lowest pressure rating of the valve or actuator.

Bevel gear actuators recommended for dry solids, paper stocks, slurries, or when pressure exceeds limits shown.

#### Ordering Example:

KUL,6,MU,F1,DI,SMP,S1-EU\*MN-CW20-CS

## Nut Actuators

Nut actuators are available when the ENTS extension is ordered.

### Nut Actuator

Valve Size	Order Code	Order Code	Maximum Pressure Differential psi/kPa
	Carbon Steel (CS) Yoke	304 SST (S1) Yoke	
2" 50mm	MN-N-CS	MN-N-S1	250 1725
3" 80mm	MN-N-CS	MN-N-S1	250 1725
4" 100mm	MN-N-CS	MN-N-S1	250 1725
5" 125mm	MN-N-CS	MN-N-S1	250 1725
6" 150mm	MN-N-CS	MN-N-S1	250 1725
8" 200mm	MN-N-CS	MN-N-S1	250 1725
10" 250mm	MN-N-CS	MN-N-S1	250 1725

Valve Size	Order Code	Order Code	Maximum Pressure Differential psi/kPa
	Carbon Steel (CS) Yoke	304 SST (S1) Yoke	
12" 300mm	MN-N-CS*	MN-N-S1*	250 1725
14" 350mm	MN-N-CS*	MN-N-S1*	250 1725
16" (MU Only) 400mm	MN-N-CS*	MN-N-S1*	150 1035

NOTE: The limiting factor in Actuator Selection is the lowest pressure rating of the valve or actuator.

Bevel gear actuators recommended for dry solids, paper stock, slurries, or when pressure exceeds limits shown.

#### Ordering Example:

KUL,4,MU,F1,DI,SMP,S1-EU\*MN-N-CS,ENTS

# Manual Actuators

## Bevel Gear Actuators

Bevel Gear Actuators are available on 2-48" (50-1200mm) valves with handwheel or chainwheel actuators. Bevel Gear Actuators provide vertical mounting of the handwheel or chainwheel, or can be used where space limitations prohibit the use of a standard handwheel or chainwheel. A mechanical advantage makes large valve operation easier and faster.

### Bevel Gear Handwheel Actuators

Valve Size	Body Style	Order Code	Order Code	Maximum Pressure Differential psi/kPa
		Carbon Steel (CS) Yoke	304 SST (S1) Yoke	
3" 80mm	All	MNB-HD12-CS	MNB-HD12-S1	250 1725
4" 100mm	All	MNB-HD12-CS	MNB-HD12-S1	250 1725
5" 125mm	All	MNB-HD12-CS	MNB-HD12-S1	250 1725
6" 150mm	All	MNB-HD12-CS	MNB-HD12-S1	250 1725
8" 200mm	All	MNB-HD12-CS	MNB-HD12-S1	250 1725
10" 250mm	MU	MNB-HD12-CS	MNB-HD12-S1	150 1035
	HP	MNB-HD16-CS	MNB-HD16-S1	250 1725
12" 300mm	MU	MNB-HD12-CS	MNB-HD12-S1	150 1035
	HP	MNB-HD16-CS	MNB-HD16-S1	250 1725
14" 350mm	MU	MNB-HD12-CS	MNB-HD12-S1	150 1035
	HP	MNB-HD16-CS	MNB-HD16-S1	250 1725
16" 400mm	MU	MNB-HD16-CS	MNB-HD16-S1	150 1035
	HP	MNB-HD24-CS	MNB-HD24-S1	250 1725
18" 450mm	MU	MNB-HD24-CS	MNB-HD24-S1	150 1035
	HP	MNB-HD30-CS	MNB-HD30-S1	250 1725
20" 500mm	MU	MNB-HD24-CS	MNB-HD24-S1	150 1035
	HP	MNB-HD36-CS	MNB-HD36-S1	250 1725
24" 600mm	All	MNB-HD24-CS	MNB-HD24-S1	250 1725
30" 750mm	All	MNB-HD24-CS	MNB-HD24-S1	250 1725
36" 900mm	All	MNB-HD24-CS	MNB-HD24-S1	250 1725
42" 1050mm	MU	MNB-HD24-CS	MNB-HD24-S1	150 1035
	HP	MNB-HD30-CS	MNB-HD30-S1	250 1725
48" 1200mm	MU	MNB-HD24-CS	MNB-HD24-S1	150 1035
	HP	MNB-HD30-CS	MNB-HD30-S1	250 1725

NOTE: The limiting factor in actuator selection is the lowest pressure rating of the valve or actuator.

#### Ordering Example:

KUL,6,MU,F1,DI,SMPS1-EU\*MNB-HD12-CS

For alternate mounting of bevel gear actuators, add -90, -180 or -270 after the actuator code and as 2nd line information on the order.

### Bevel Gear Chainwheel Actuators

Valve Size	Body Style	Order Code	Order Code	Maximum Pressure Differential psi/kPa
		Carbon Steel (CS) Yoke	304 SST (S1) Yoke	
3" 80mm	All	MNB-CW12-CS	MNB-CW12-S1	250 1725
4" 100mm	All	MNB-CW12-CS	MNB-CW12-S1	250 1725
5" 125mm	All	MNB-CW12-CS	MNB-CW12-S1	250 1725
6" 150mm	All	MNB-CW12-CS	MNB-CW12-S1	250 1725
8" 200mm	All	MNB-CW12-CS	MNB-CW12-S1	250 1725
10" 250mm	MU	MNB-CW12-CS	MNB-CW12-S1	150 1035
	HP	MNB-CW20-CS	MNB-CW20-S1	250 1725
12" 300mm	MU	MNB-CW12-CS	MNB-CW12-S1	150 1035
	HP	MNB-CW20-CS	MNB-CW20-S1	250 1725
14" 350mm	MU	MNB-CW12-CS	MNB-CW12-S1	150 1035
	HP	MNB-CW20-CS	MNB-CW20-S1	250 1725
16" 400mm	MU	MNB-CW20-CS	MNB-CW20-S1	150 1035
	HP	MNB-CW30-CS	MNB-CW30-S1	250 1725
18" 450mm	All	MNB-CW30-CS	MNB-CW30-S1	250 1725
20" 500mm	All	MNB-CW30-CS	MNB-CW30-S1	250 1725
24" 600mm	MU	MNB-CW20-CS	MNB-CW20-S1	150 1035
	HP	MNB-CW30-CS	MNB-CW30-S1	250 1725
30" 750mm	MU	MNB-CW20-CS	MNB-CW20-S1	150 1035
	HP	MNB-CW30-CS	MNB-CW30-S1	250 1725
36" 900mm	All	MNB-CW30-CS	MNB-CW30-S1	250 1725
42" & 48" 1050-1200mm	All	MNB-CW30-CS	MNB-CW30-S1	250 1725

NOTE: The limiting factor in actuator selection is the lowest pressure rating of the valve or actuator.

#### Ordering Example:

KUL,14,MU,F1,DI,SMPS1-EU\*MNB-CW12-CS-90

Actuator mounted at 90 degrees

# Manual Actuator Accessories

## Chain for Chainwheel Actuators

Order as a separate item by giving the correct code and specify required length of chain as second line information. One closing link is supplied with the chainwheel actuator.

Order Code	Description
ACC*CN102	Steel, Zinc Plated 3/16
ACC*CN103	Galvanized 3/16
ACC*CN106	316 Stainless Steel 3/16

### Ordering Example:

ACC\*CN102

Chain 12 feet long (366cm)

## Lockout Device

Available on all sizes of handwheel and bevel gear handwheel actuated valves. To order, add a comma and the order code "LK" after the actuator code.

### Ordering Example:

KUL,6,MU,F1,DI,SMP,S1-EU\*MN-HD12-S1,LK

## Extension for Handwheel or 2" Nut Extension

Provides extension of the handwheel or nut to allow remote operation – normally from above. The extension includes fittings and extension pipe with handwheel or nut mounted. To order, specify description and extension length from center line of valve to handwheel or nut.

Order Code	Description
ENHD	Extension for Handwheel
ENTS	Extension for Nut

### Ordering Example:

KUL,6,MN,F1,DI,SMP,S1-EU\*MN-N-S1,ENTS

Center line of valve to top of nut 72 inches (1829mm).



# Cylinder Actuators

DeZURIK Cylinder Actuators are available with double-acting pneumatic or hydraulic cylinders for on/off or positioning services. Supply pressure is 60 or 80 psi (410 or 550 kPa). To order, add the proper code from the table to the valve order code. Specify hydraulic media if other than oil.

## Actuator Sizing

### 60 psi (410 kPa) Air Supply

Valve Size	Order Code	Order Code	Maximum Pressure Differential psi/kPa	
	Carbon Steel (CS) Yoke	304 SST (S1) Yoke	Dry Solids, Slurries, Paper Stock	Liquids & Gases
2" 50mm	CY-PC4-CS	CY-PC4-S1	250 1725	250 1725
	CY-PC4-CS	CY-PC4-S1	250 1725	250 1725
3" 80mm	CY-PC4-CS	CY-PC4-S1	100 690	150 1035
	CY-PC6-CS	CY-PC6-S1	250 1725	250 1725
4" 100mm	CY-PC4-CS	CY-PC4-S1	N/A	50 345
	CY-PC6-CS	CY-PC6-S1	100 690	150 1035
	CY-PC8-CS	CY-PC8-S1	250 1725	250 1725
5" 125mm	CY-PC4-CS	CY-PC4-S1	N/A	50 345
	CY-PC6-CS	CY-PC6-S1	100 690	150 1035
	CY-PC8-CS	CY-PC8-S1	250 1725	250 1725
6" 150mm	CY-PC4-CS	CY-PC4-S1	N/A	50 345
	CY-PC6-CS	CY-PC6-S1	100 690	150 1035
	CY-PC8-CS	CY-PC8-S1	250 1725	250 1725
8" 200mm	CY-PC6-CS	CY-PC6-S1	100 690	150 1035
	CY-PC8-CS	CY-PC8-S1	200 1380	250 1725
	CY-PC10-CS	CY-PC10-S1	250 1725	N/R
10" 250mm	CY-PC8-CS	CY-PC8-S1	75 518	100 690
	CY-PC10-CS	CY-PC10-S1	200 1380	250 1725
	CY-PC12-CS	CY-PC12-S1	250 1725	N/R
12" 300mm	CY-PC8-CS	CY-PC8-S1	75 518	100 690
	CY-PC10-CS	CY-PC10-S1	150 1035	200 1380
	CY-PC12-CS	CY-PC12-S1	250 1725	250 1725
14" 350mm	CY-PC10-CS	CY-PC10-S1	100 690	150 1035
	CY-PC12-CS	CY-PC12-S1	250 1725	250 1725
16" 400mm	CY-PC10-CS	CY-PC10-S1	75 518	100 690
	CY-PC12-CS	CY-PC12-S1	100 690	150 1035
	CY-PC14-CS	CY-PC14-S1	250 1725	250 1725

Valve Size	Order Code	Order Code	Maximum Pressure Differential psi/kPa	
	Carbon Steel (CS) Yoke	304 SST (S1) Yoke	Dry Solids, Slurries, Paper Stock	Liquids & Gases
18" 450mm	CY-PC12-CS	CY-PC12-S1	75 518	100 690
	CY-PC14-CS	CY-PC14-S1	200 1380	250 1725
	CY-PC16-CS	CY-PC16-S1	250 1725	N/R
20" 500mm	CY-PC12-CS	CY-PC12-S1	50 345	75 518
	CY-PC14-CS	CY-PC14-S1	100 690	150 1035
	CY-PC16-CS	CY-PC16-S1	250 1725	250 1725
24" 600mm	CY-PC14-CS	CY-PC14-S1	75 518	100 690
	CY-PC16-CS	CY-PC16-S1	150 1035	200 1380
	CY-PC18-CS	CY-PC18-S1	250 1725	250 1725
30" 750mm	Contact DeZURIK for cylinder actuator sizing.			
36" 900mm				
42" 1050mm				
48" 1200mm				

NOTE: The limiting factor in actuator selection is the lowest pressure rating of the valve or actuator.

N/R = Not required. Use next smaller actuator.

N/A = Not available. Use larger actuator or contact DeZURIK.

For alternate mounting, add -90, -180 or -270 after the actuator code and as a second line information on the order.

# Cylinder Actuators

## Actuator Sizing

### 80 psi (550 kPa) Air Supply

Valve Size	Order Code	Order Code	Maximum Pressure Differential psi/kPa	
	Carbon Steel (CS) Yoke	304 SST (S1) Yoke	Dry Solids, Slurries, Paper Stock	Liquids & Gases
2" 50mm	CY-PC4-CS	CY-PC4-S1	250 1725	250 1725
	CY-PC4-CS	CY-PC4-S1	250 1725	250 1725
3" 80mm	CY-PC4-CS	CY-PC4-S1	150 1035	200 1380
	CY-PC6-CS	CY-PC6-S1	250 1725	250 1725
4" 100mm	CY-PC4-CS	CY-PC4-S1	50 345	75 518
	CY-PC6-CS	CY-PC6-S1	200 1380	250 1725
	CY-PC8-CS	CY-PC8-S1	250 1725	N/R
5" 125mm	CY-PC4-CS	CY-PC4-S1	50 345	75 518
	CY-PC6-CS	CY-PC6-S1	150 1035	200 1380
	CY-PC8-CS	CY-PC8-S1	250 1725	250 1725
6" 150mm	CY-PC6-CS	CY-PC6-S1	100 690	150 1035
	CY-PC8-CS	CY-PC8-S1	250 1725	250 1725
	CY-PC10-CS	CY-PC10-S1	250 1725	250 1725
8" 200mm	CY-PC8-CS	CY-PC8-S1	100 690	150 1035
	CY-PC10-CS	CY-PC10-S1	250 1725	250 1725
10" 250mm	CY-PC8-CS	CY-PC8-S1	100 690	150 1035
	CY-PC10-CS	CY-PC10-S1	200 1380	250 1725
	CY-PC12-CS	CY-PC12-S1	250 1725	N/R
12" 300mm	CY-PC10-CS	CY-PC10-S1	75 518	100 690
	CY-PC12-CS	CY-PC12-S1	200 1380	250 1725
	CY-PC14-CS	CY-PC14-S1	250 1725	N/R
14" 350mm	CY-PC12-CS	CY-PC12-S1	200 1380	250 1725
	CY-PC14-CS	CY-PC14-S1	250 1725	N/R
16" 400mm	CY-PC12-CS	CY-PC12-S1	200 1380	250 1725
	CY-PC14-CS	CY-PC14-S1	250 1725	N/R
18" 450mm	CY-PC12-CS	CY-PC12-S1	200 1380	250 1725
	CY-PC14-CS	CY-PC14-S1	250 1725	N/R

Valve Size	Order Code	Order Code	Maximum Pressure Differential psi/kPa	
	Carbon Steel (CS) Yoke	304 SST (S1) Yoke	Dry Solids, Slurries, Paper Stock	Liquids & Gases
20" 500mm	CY-PC12-CS	CY-PC12-S1	75 518	100 690
	CY-PC14-CS	CY-PC14-S1	200 1380	250 1725
	CY-PC16-CS	CY-PC16-S1	250 1725	N/R
24" 600mm	CY-PC12-CS	CY-PC12-S1	50 345	100 690
	CY-PC14-CS	CY-PC14-S1	150 1035	250 1725
	CY-PC16-CS	CY-PC16-S1	250 1725	N/R
30" 750mm	Contact DeZURIK for cylinder actuator sizing.			
36" 900mm				
42" 1050mm				
48" 1200mm				

NOTE: The limiting factor in actuator selection is the lowest pressure rating of the valve or actuator.

N/R = Not required. Use next smaller actuator.

N/A = Not available. Use larger actuator or contact DeZURIK.

For alternate mounting, add -90, -180 or -270 after the actuator code and as a second line information on the order.

# Cylinder Actuator Accessories

## Positioners

DeZURIK Cylinder Actuators are available with pneumatic, electro-pneumatic or digital positioners for throttling control. Positioners are available in various NEMA ratings and mounted to the actuator legs.

## Air Filter Regulator

The DeZURIK Air Filter Regulator is designed to provide clean, accurate air pressure to actuators and positioners.

## Four-Way Solenoid Valves

Solenoid Valves may be ordered mounted and piped as part of a complete valve/actuator assembly or as a separate item.

## Speed Control Valves

Speed Control Valves are available for controlling valve opening or closing speed with pneumatic actuators. The speed of operation is adjustable.

## Position Indicating Switches

Mechanical or Proximity Position Indicating Switches are available for use on double-acting cylinder actuators. One switch can be set to indicate open or closed position. Two switches will automatically be set to indicate full open and full closed positions.

## Corrosion Resistant Cylinder

The Corrosion Resistant Cylinder assembly includes epoxy coating on the head, cap and gland – all of which are cast iron. The tube is fiberglass and all fasteners are stainless steel. To order Corrosion-Resistant Cylinder construction, add -CR to the actuator code.

### Ordering Example:

KUL,6,MU,F1,DI,SMP,S1-EU\*CY-PC6-S1-CR

## Electric Motor Actuators

DeZURIK Knife Gate Valves can be furnished with electric motor actuators including Limitorque, Auma, Rotork, E.I.M. and others.

When ordering Electric Motor Actuators, specify valve order code, shutoff pressure, service conditions (flowing media and installation direction); type of application (on/off or throttling); speed of operation; NEMA rating (4, 7, submersible, etc.); electrical characteristics (voltage and phase); actuator accessories and controls as per specification requirements.

## High-Strength Actuator Legs

For unsupported horizontal mounting of 3-12" (80-300mm) valve sizes with cylinder actuators, High-Strength Actuator Legs are available as part of a complete valve and actuator assembly. To order, add the SAL code after the actuator code.

### Ordering Example:

KUL,6,MU,F1,DI,SMP,S1-EU\*CY-PC6-S1,SAL

## Stem Cover Bellows

To protect valve stem from environmental debris, the Stem Cover Bellows may be ordered as part of a complete valve and cylinder actuator assembly. To order, add the SCB code to the valve and actuator code.

### Ordering Example:

KUL,6,MU,F1,DI,SMP,S1-EU\*CY-PC6-S1,SCB

## Lockout Device

Available on all sizes of Cylinder Actuated Valves. To order, add the LK code to the valve and actuator code.

### Ordering Example:

KUL,6,MU,F1,DI,SMP,S1-EU\*CY-PC6-S1,LK

## Stainless Steel Tubing and Fittings

To order accessories piped with stainless steel tubing and fittings, add -SF to the order code.

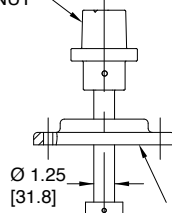
# Dimensions

## Valve and Nut

Valve Size	Dimensions					
	F	G	H	K	L	M
2" 50mm	3.25 83	1.88 48	4.00 102	14.94 379	22.44 570	17.63 448
3" 80mm	3.75 95	2.00 51	4.75 121	16.62 422	24.92 633	20.11 511
4" 100mm	4.50 114	2.00 51	5.00 127	19.94 506	28.20 716	23.39 594
5" 125mm	5.00 127	2.25 57	5.75 146	24.35 618	32.62 829	27.81 706
6" 150mm	5.50 140	2.25 57	5.75 146	25.91 658	34.20 869	29.39 747
8" 200mm	6.75 171	2.75 70	6.38 162	31.40 798	39.70 1008	34.89 886
10" 250mm	8.00 203	2.75 70	8.25 210	39.06 992	46.53 1182	41.72 1060
12" 300mm	9.50 241	3.00 76	8.25 210	44.75 1137	52.19 1326	47.38 1203
14" 350mm	10.50 267	3.00 76	8.25 210	54.70 1389	63.19 1605	58.38 1483
16" 400mm	11.75 298	3.50 89	8.69 221	58.40 1483	70.63 1794	65.82 1672

Inches  
Millimeters

2" [51]  
SQUARE NUT



Ø 1.25  
[31.8]

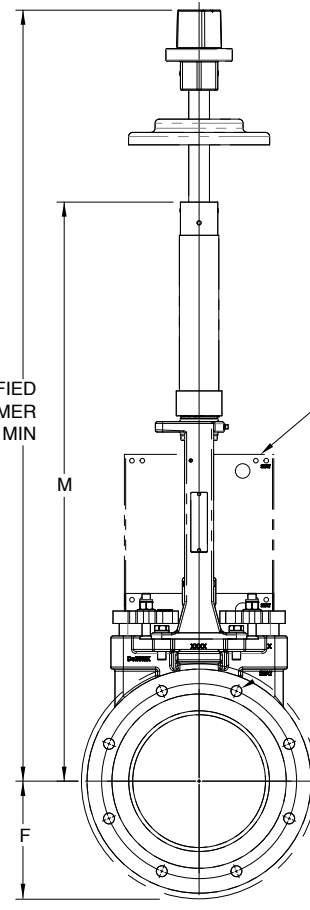
CUSTOMER  
TO PROVIDE  
SUPPORT BEARING  
PLATE FURNISHED  
WHEN ORDERED

H

SEAT SIDE  
OF VALVE

G

AS SPECIFIED  
BY CUSTOMER  
"L" MIN



GATE IN  
OPEN  
POSITION

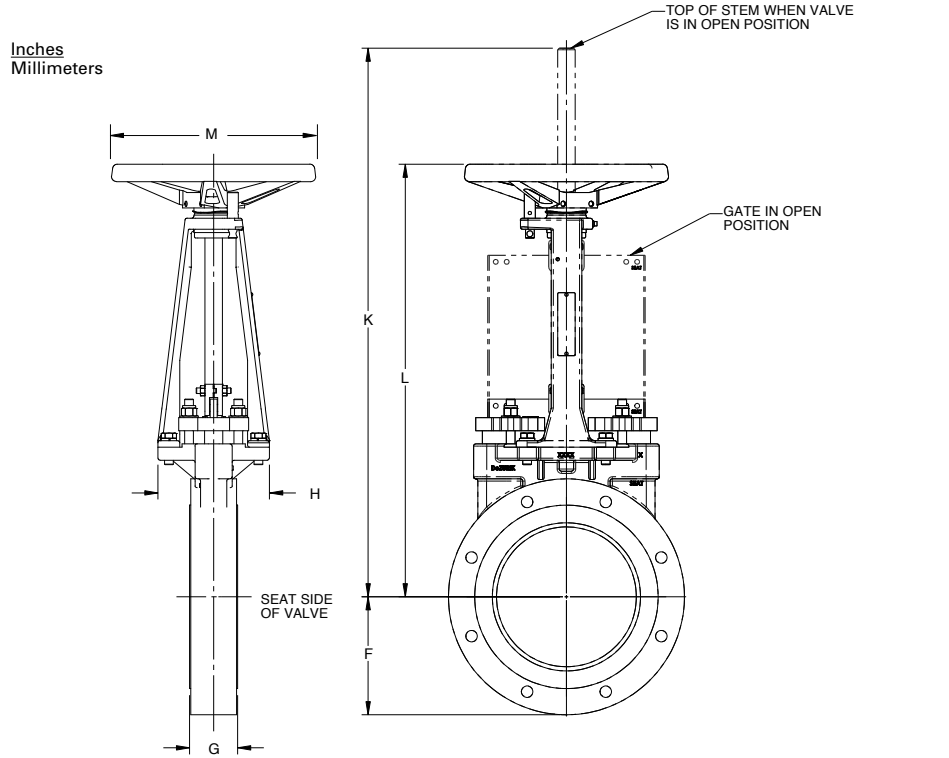
M

F

# Dimensions

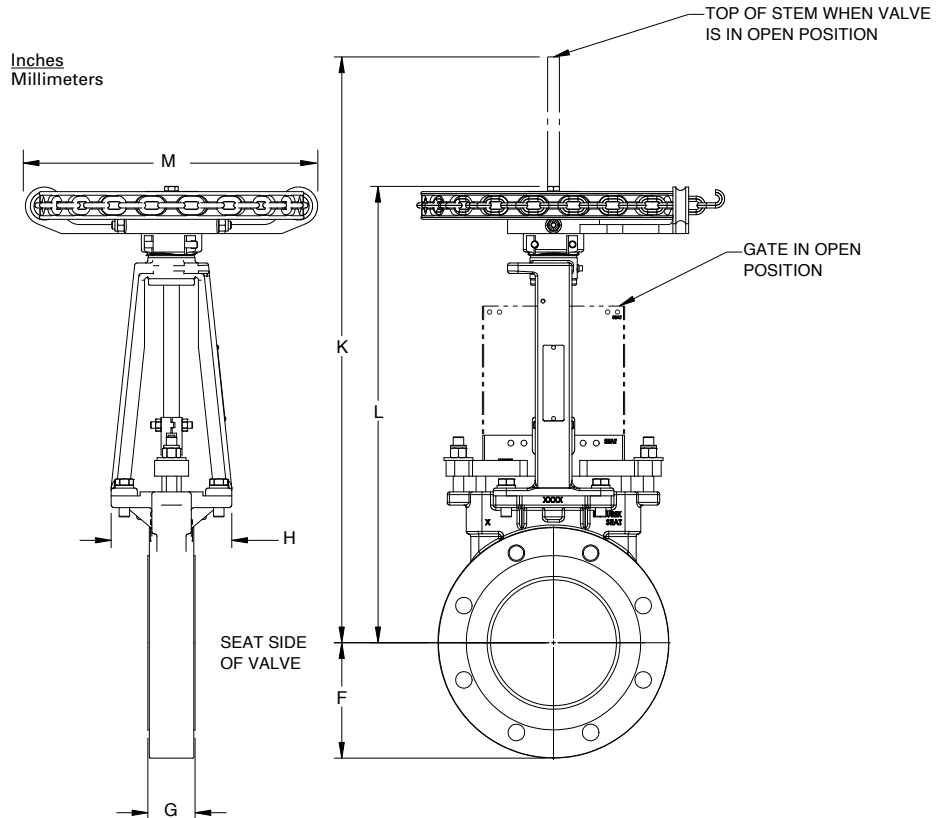
## Valve and Handwheel

Valve Size	Dimensions					
	F	G	H	K	L	M
2" 50mm	3.25 83	1.88 48	4.00 102	14.93 379	13.25 337	8.00 203
3" 80mm	3.75 95	2.00 51	4.75 121	16.62 422	14.74 374	8.00 203
4" 100mm	4.50 114	2.00 51	5.00 127	19.94 506	17.27 439	8.00 203
5" 125mm	5.00 127	2.25 57	5.75 146	24.35 618	19.71 501	12.00 305
	5.00 127	2.25 57	5.75 146	24.35 618	19.58 497	16.00 406
6" 150mm	5.50 140	2.25 57	5.75 146	26.04 661	21.22 539	12.00 305
	5.50 140	2.25 57	5.75 146	26.04 661	21.14 537	16.00 406
8" 200mm	6.75 171	2.75 70	6.38 162	31.54 801	24.63 626	16.00 406
10" 250mm	8.00 203	2.75 70	8.25 210	39.05 992	30.10 765	16.00 406
12" 300mm	9.50 241	3.00 76	8.25 210	44.75 1137	33.79 858	16.00 406
14" 350mm	10.50 267	3.00 76	8.30 211	53.66 1363	36.53 928	20.00 508
16" 400mm	11.75 298	3.50 89	8.70 221	57.23 1454	40.23 1022	20.00 508



## Valve and Chainwheel

Valve Size	Dimensions					
	F	G	H	K	L	M
2" 50mm	3.25 83	1.88 48	4.00 102	15.94 405	13.83 351	8.00 203
3" 80mm	3.75 95	2.00 51	4.75 121	18.44 468	15.30 389	8.00 203
4" 100mm	4.50 114	2.00 51	5.00 127	21.74 552	17.60 447	12.00 305
5" 125mm	5.00 127	2.25 57	5.75 146	25.17 639	20.03 509	12.00 305
	5.00 127	2.25 57	5.75 146	25.17 639	20.03 509	20.00 508
6" 150mm	5.50 140	2.25 57	5.75 146	27.74 705	21.58 548	12.00 305
	5.50 140	2.25 57	5.75 146	27.74 705	21.58 548	20.00 508
8" 200mm	6.75 171	2.75 70	6.38 162	33.31 846	25.07 637	12.00 305
	6.75 171	2.75 70	6.38 162	33.31 846	25.07 637	20.00 508
10" 250mm	8.00 203	2.75 70	8.25 210	40.86 1038	30.57 776	20.00 508
12" 300mm	9.50 241	3.00 76	8.25 210	46.94 1192	34.58 878	20.00 508
14" 350mm	10.50 267	3.00 76	8.25 210	53.56 1360	41.09 1044	20.00 508
	10.50 267	3.00 76	8.25 210	53.56 1360	41.09 1044	30.00 762
16" 400mm	11.75 298	3.50 89	8.69 221	57.23 1454	42.69 1084	30.00 762

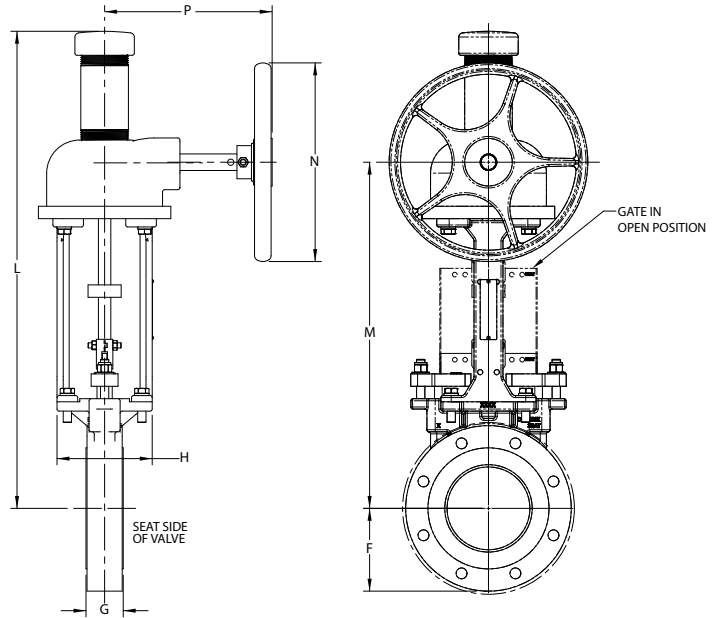


# Dimensions

## Valve and Bevel Gear Handwheel 3-8" MU & HP Body Styles

Valve Size	Dimensions							
	F	G	H	L	M	N	P	
							Standard & 180 Mounting	90 & 270 Mounting
3" 80mm	3.75 95	2.00 51	4.75 121	22.12 562	16.19 411	12.00 305	10.12 257	10.12 257
4" 100mm	4.50 114	2.00 51	5.00 127	24.38 619	18.47 469	12.00 305	10.12 257	10.12 257
5" 125mm	5.80 147	2.25 57	5.75 146	28.82 732	20.91 531	12.00 305	10.12 257	10.12 257
6" 150mm	5.48 139	2.25 57	5.75 146	30.39 772	22.47 571	12.00 305	10.12 257	10.12 257
8" 200mm	6.75 171	2.75 70	6.38 162	35.89 912	25.97 660	12.00 305	10.12 257	10.12 257

Inches  
Millimeters



## 10" & Larger, MU Body Style

Valve Size	Dimensions							
	F	G	H	L	M	N	P	
							Standard & 180 Mounting	90 & 270 Mounting
10" 250mm	8.00 203	2.75 70	8.24 209	46.57 1183	31.66 804	12.00 305	10.12 257	10.12 257
12" 300mm	9.50 241	3.00 76	8.25 210	50.26 1277	35.35 898	12.00 305	10.12 257	10.12 257
14" 350mm	10.50 267	3.00 76	8.25 210	56.82 1443	37.91 963	12.00 305	10.12 257	24.13 613
16" 400mm	11.75 298	3.50 89	8.69 221	60.51 1537	41.60 1057	16.00 406	17.62 448	24.13 613
18" 450mm	12.50 318	3.50 89	9.31 236	69.95 1777	47.04 1195	24.00 610	17.62 448	32.88 835
20" 500mm	13.75 349	4.50 114	9.42 239	73.63 1870	50.72 1288	24.00 610	17.62 448	32.88 835
24" 600mm	16.00 406	4.50 114	9.42 239	81.20 2062	61.58 1564	24.00 610	23.75 603	33.75 857
30" 750mm	19.38 492	5.50 140	11.25 286	109.58 2783	76.00 1930	24.00 610	23.75 603	33.75 857
36" 900mm	23.00 584	6.00 152	12.00 305	121.46 3085	87.49 2222	24.00 610	23.75 603	32.87 835
42" 1050mm	26.50 673	6.50 165	13.50 343	150.30 3818	103.51 2629	24.00 610	25.55 649	36.57 929
48" 1200mm	29.75 756	7.00 178	18.50 470	163.64 4156	116.85 2968	24.00 610	25.55 649	36.57 929

## 10" & Larger, HP Body Style

Valve Size	Dimensions								
	F	G	H	L	M	N	P		
							Standard & 180 Mounting	90 & 270 Mounting	
10" 250mm	8.00 203	2.75 70	8.24 209	46.57 1183	31.66 804	16.00 406	10.50 267	10.50 267	10.50 267
12" 300mm	9.50 241	3.00 76	8.25 210	50.26 1277	35.35 898	16.00 406	10.50 267	10.50 267	10.50 267
14" 350mm	10.50 267	3.00 76	8.25 210	56.82 1443	37.91 963	16.00 406	10.50 267	24.15 613	24.15 613
16" 400mm	11.75 298	3.50 89	8.69 221	60.51 1537	41.60 1057	24.00 610	17.62 448	32.88 835	32.88 835
18" 450mm	12.50 318	3.50 89	9.31 236	69.95 1777	47.04 1195	30.00 762	9.75 248	24.13 613	24.13 613
20" 500mm	13.75 349	4.50 114	9.42 239	73.63 1870	53.61 1362	36.00 914	23.15 588	38.40 975	38.40 975
24" 600mm	16.00 406	4.50 114	9.42 239	81.20 2062	61.58 1564	24.00 610	23.75 603	33.75 857	33.75 857
30" 750mm	19.38 492	5.50 140	11.25 286	111.95 2844	77.16 1960	24.00 610	26.57 675	36.57 929	36.57 929
36" 900mm	23.00 584	6.00 152	12.00 305	123.45 3136	88.66 2252	24.00 610	26.57 675	36.57 929	36.57 929
42" 1050mm	26.50 673	6.50 165	13.50 343	150.30 3818	103.51 2629	30.00 762	17.68 449	28.72 729	28.72 729
48" 1200mm	29.75 756	7.00 178	18.50 470	163.64 4156	116.85 2968	30.00 762	17.68 449	28.72 729	28.72 729

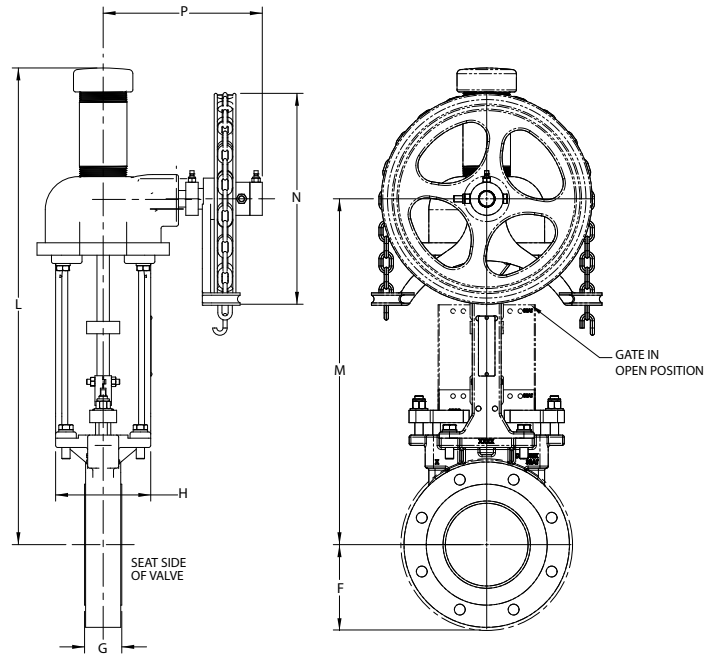
# Dimensions

## Valve and Bevel Gear Chainwheel

### 3-8" MU & HP Body Styles

Valve Size	Dimensions							
	F	G	H	L	M	N	P	
							Standard & 180 Mounting	90 & 270 Mounting
3" 80mm	3.75 95	2.00 51	4.75 121	22.12 562	16.19 411	12.75 324	9.62 244	9.62 244
4" 100mm	4.50 114	2.00 51	5.00 127	24.39 620	18.47 469	12.75 324	9.62 244	9.62 244
5" 125mm	5.80 147	2.25 57	5.75 146	28.83 732	20.89 531	12.75 324	9.62 244	9.62 244
6" 150mm	5.48 139	2.25 57	5.75 146	30.41 772	22.47 571	12.75 324	9.62 244	9.62 244
8" 200mm	6.75 171	2.75 70	6.38 162	34.90 886	25.97 660	12.75 324	9.62 244	9.62 244

Inches  
Millimeters



### 10" & Larger, MU Body Style

Valve Size	Dimensions							
	F	G	H	L	M	N	P	
							Standard & 180 Mounting	90 & 270 Mounting
10" 250mm	8.00 203	2.75 70	8.24 209	46.57 1183	31.66 804	12.00 305	9.62 244	9.62 244
12" 300mm	9.50 241	3.00 76	8.25 210	50.26 1277	35.35 898	12.00 305	9.62 244	9.62 244
14" 350mm	10.50 267	3.00 76	8.25 210	56.82 1443	37.91 963	12.75 324	9.62 244	24.12 613
16" 400mm	11.75 298	3.50 89	8.69 221	60.51 1537	41.60 1057	20.00 508	9.62 244	24.12 613
18" 450mm	12.50 318	3.50 89	9.31 236	69.95 1777	47.04 1195	30.00 762	9.62 244	24.12 613
20" 500mm	13.75 349	4.50 114	9.42 239	73.63 1870	50.72 1288	30.00 762	9.62 244	24.12 613
24" 600mm	16.19 411	4.50 114	9.42 239	81.20 2062	61.58 1564	20.00 508	15.00 381	25.00 635
30" 750mm	19.38 492	5.50 140	11.25 286	109.58 2783	76.00 1930	20.00 508	15.00 381	25.00 635
36" 900mm	23.00 584	6.00 152	12.00 305	121.46 3085	87.49 2222	30.00 762	15.00 381	25.00 635
42" 1050mm	26.50 673	6.50 165	13.50 343	150.30 3818	103.51 2629	30.00 762	17.82 453	27.82 707
48" 1200mm	29.75 756	7.00 178	18.50 470	163.64 4156	116.85 2968	30.00 762	17.82 453	27.82 707

### 10" & Larger, HP Body Style

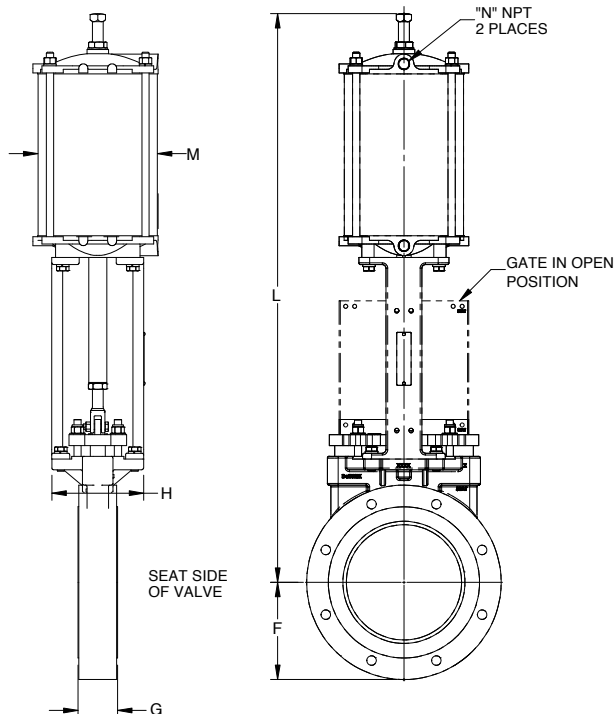
Valve Size	Dimensions							
	F	G	H	L	M	N	P	
							Standard & 180 Mounting	90 & 270 Mounting
10" 250mm	8.00 203	2.75 70	8.24 209	46.57 1183	31.66 804	20.00 508	9.62 244	9.62 244
12" 300mm	9.50 241	3.00 76	8.25 210	50.26 1277	35.35 898	20.00 508	9.62 244	9.62 244
14" 350mm	10.50 267	3.00 76	8.25 210	56.82 1443	37.91 963	20.00 508	9.62 244	24.12 613
16" 400mm	11.75 298	3.50 89	8.69 221	60.51 1537	41.60 1057	30.00 762	9.62 244	24.12 613
18" 450mm	12.50 318	3.50 89	9.31 236	69.95 1777	47.04 1195	30.00 762	9.62 244	24.12 613
20" 500mm	13.75 349	4.50 114	9.42 239	73.63 1870	53.61 1362	30.00 762	15.00 381	25.00 635
24" 600mm	16.19 411	4.50 114	9.42 239	81.20 2062	61.58 1564	30.00 762	15.00 381	25.00 635
30" 750mm	19.38 492	5.50 140	11.25 286	111.95 2844	77.16 1960	30.00 762	17.82 453	25.00 635
36" 900mm	23.00 584	6.00 152	12.00 305	123.45 3136	88.65 2252	30.00 762	17.82 453	27.82 707
42" 1050mm	26.50 673	6.50 165	13.50 343	150.30 3818	103.51 2629	30.00 762	17.82 453	27.82 707
48" 1200mm	29.75 756	7.00 178	18.50 470	163.64 4156	116.85 2968	30.00 762	17.82 453	27.82 707

# Dimensions

## Valve and Cylinder Actuator

Valve Size	Dimensions		
	F	G	H
2"	3.25	1.88	4.00
50mm	83	48	102
3"	3.75	2.00	4.75
80mm	95	51	121
4"	4.50	2.00	5.00
100mm	114	51	127
5"	5.00	2.25	5.75
125mm	127	57	146
6"	5.50	2.25	5.75
150mm	140	57	146
8"	6.75	2.75	6.38
200mm	171	70	162
10"	8.00	2.75	8.25
250mm	203	70	210
12"	9.50	3.00	8.25
300mm	241	76	210
14"	10.50	3.00	8.25
350mm	267	76	210
16"	11.75	3.50	8.69
400mm	298	89	221
18"	12.50	3.50	9.31
450mm	318	89	237
20"	13.75	4.50	9.42
500mm	349	114	239
24"	16.00	4.50	9.42
600mm	406	114	239

Inches  
Millimeters



## Cylinder Actuator

Actuator Code	Dimensions														M	N
	L															
	2" 50mm	3" 80mm	4" 100mm	5" 125mm	6" 150mm	8" 200mm	10" 250mm	12" 300mm	14" 350mm	16" 400mm	18" 450mm	20" 500mm	24" 600mm			
CY-PC4	22.18 563	23.84 606	26.12 663	30.47 774	32.09 815	—	—	—	—	—	—	—	—	5.38 137	1/4	
CY-PC6	—	—	29.45 748	32.13 816	33.48 850	39.25 997	—	—	—	—	—	—	—	7.88 200	1/4	
CY-PC8	—	—	—	32.50 826	34.13 867	39.63 1007	49.16 1249	53.18 1351	—	—	—	—	—	10.50* 267	1/2	
CY-PC10	—	—	—	—	—	—	50.66 1287	54.35 1380	60.56 1538	64.25 1632	—	—	—	10.88 276	1/2	
CY-PC12	—	—	—	—	—	—	50.74 1289	54.55 1386	60.68 1541	64.37 1635	73.81 1875	77.50 1969	89.46 2272	12.94 329	1/2	
CY-PC14	—	—	—	—	—	—	—	—	—	64.31 1633	74.15 1883	77.84 1977	89.81 2281	15.13 384	1/2	
CY-PC16	—	—	—	—	—	—	—	—	—	—	70.25 1784	75.94 1929	87.91 2233	17.00 432	1/2	
CY-PC18	—	—	—	—	—	—	—	—	—	—	—	—	88.28 2242	19.00 483	3/4	

Inches  
Millimeters

\* M Dimension on 10" & 12" valve sizes is 8.69  
271

### Sales and Service

For information about our worldwide locations, approvals, certifications and local representative:

Web Site: [www.dezurik.com](http://www.dezurik.com) E-Mail: [info@dezurik.com](mailto:info@dezurik.com)



# DeZURIK

## APCO | HILTON

250 Riverside Ave. N. Sartell, Minnesota 56377 • Phone: 320-259-2000 • Fax: 320-259-2227

DeZURIK, Inc. reserves the right to incorporate our latest design and material changes without notice or obligation. Design features, materials of construction and dimensional data, as described in this bulletin, are provided for your information only and should not be relied upon unless confirmed in writing by DeZURIK, Inc. Certified drawings are available upon request.