



# FITTINGS AND TEES

## Saddles, Tees & Weld/Braze Fittings for Series EFS2



EFF-S-PXX



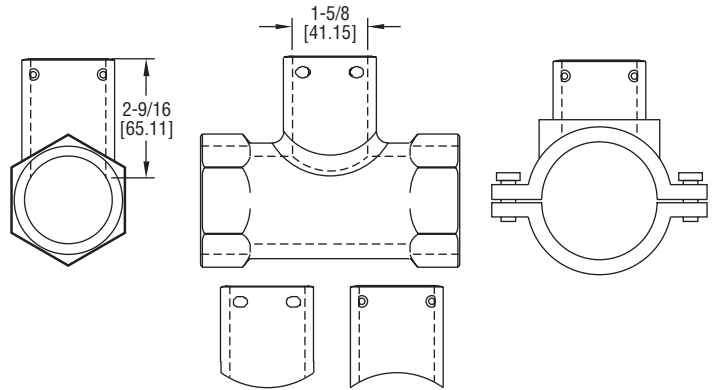
EFF-S-BXX



EFF-S-DXX



EFF-T-SFT-SS



The **SERIES EFF** Fittings & Tees is to be used with the Series EFS2 Insertion Electromagnetic Flow Sensors. The Series EFF allows for accurate sensor insertion of the Series EFF in a wide range of pipe sizes. These fittings and tees are available in bronze, 304 SS, 316 SS, and PVC, further expanding application prospects.

**FEATURES/BENEFITS**

- Multiple end connections are available to allow for easy installation in a variety of applications

**APPLICATIONS**

- Contaminated liquid flow monitoring
- Flow of conductive liquids
- Water & wastewater treatment
- Industrial systems
- Irrigation applications
- Telemetry applications

**SPECIFICATIONS**

**Service:** Compatible liquids.  
**Wetted Materials:** See model chart.  
**Temperature Limits:** Flow meter dependent.  
**Pressure Limits:** Flow meter dependent.  
**Connections:** 1/2 to 12".  
**Weight:** Consult factory.

Flow Transmitters, Electromagnetic, Fixed Insertion

MODEL CHART - TEE FITTING		EFS2-1XX				
Model	Description	1"	1-1/2"	2"	3"	4"
		-0100	-0150	-0200	-0300	-0400
EFF-T-BFT	Bronze/female thread	X	X	X	X	X
EFF-T-BFS	Bronze/female sweat (for copper tubing)	X	X	X	X	X
EFF-T-PME	PVC/male stub end	X	X	X		
EFF-T-CFT	Carbon steel/female thread	X	X	X		
EFF-T-SFT	304 SS/female thread	X	X	X		
-SS	All 316 SS option	X	X	X		

MODEL CHART - SADDLE FITTING		EFS2-1XX		EFS2-2XX			EFS2-3XX
Model	Description	3"	4"	6"	8"	10"	12"
		-0300	-0400	-0600	-0800	-1000	-1200
EFF-S-DXX	Ductile iron	X	X	X	X	X	X
EFF-S-PXX	PVC (See note 2)	X	X	X	X		
EFF-S-BXX	Bronze	X	X				
-LPS	Installed on 16" long pipe stub option (PVC only)	X	X	X	X		

MODEL CHART - WELD/BRAZE FITTING		EFS2-1XX		EFS2-2XX			EFS2-3XX
Model	Description	3"	4"	6"	8"	10"	12"
		-0300	-0400	-0600	-0800	-1000	-1200
EFF-W-BXX	Bronze	X	X	X	X	X	X
EFF-W-CXX	Carbon steel	X	X	X	X	X	X
EFF-W-SXX	316 SS	X	X	X	X	X	X

**Example:** EFF-T-CFT-0100-SS

To order an all 316 SS female thread 1" tee for Series EFS2-1XX Electromagnetic Flow Sensor.