



SERIES DX | WET/WET DIFFERENTIAL PRESSURE SWITCH

FEATURES/BENEFITS

- Differential pressure switch that is suitable for most gas and water-based applications allows multiple uses in the most sophisticated designs
- Weatherproof housing provides protection in the harsh, wet or dirty environments ensuring switch's long-service life
- Removable terminal block reduces installation time

APPLICATIONS

- Indicating filter condition
- Proof of flow indicator monitoring
- Proving flow through a pump
- Proving flow through a chiller
- Proving flow through a heat pump or AC Unit

DESCRIPTION

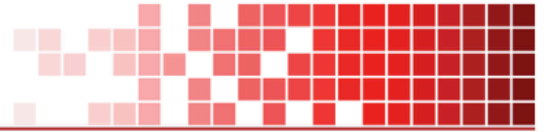
The **SERIES DX** is a differential pressure switch that makes a contact output based on the differential between two pressure sources. Wetted materials of brass and fluoroelastomer are suitable for use with most gases and water based solutions. The switch can be used for low differential pressure indication with set point on a decrease of pressure as low as 1 psid (0.07 bar). Differential set point ranges are available from 2.5 to 75 psid (0.17 to 5.17 bar) on increasing differential pressure and 1.0 to 67 psid (0.07 to 4.62 bar) on decreasing differential pressure. Unit features a high static pressure rating of 200 psig (13.8 bar). Weatherproof, UL type 4X, enclosure for dust laden, outdoor, or wash-down installation environments. Externally adjustable set point, integral mounting flange and a removable electrical terminal block for quick and easy installation.



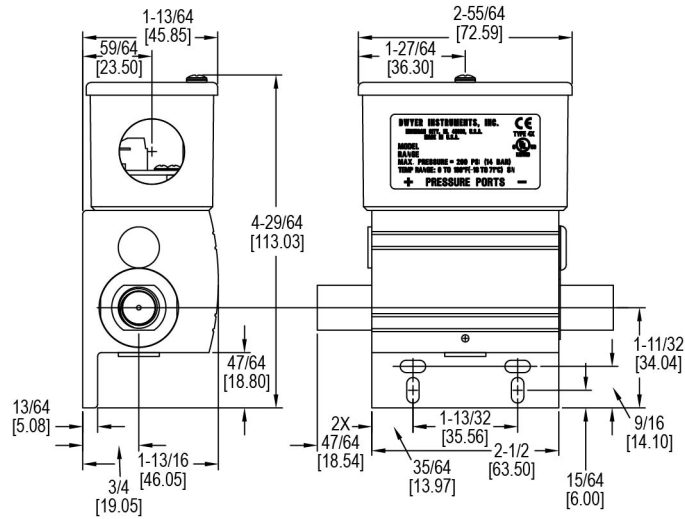
SPECIFICATIONS

Service	Compatible gases and liquids.
Wetted Materials	Connection: Brass; Diaphragm: Fluoroelastomer.
Temperature Limits	30 to 140 °F (-1 to 60 °C).
Pressure Limits	200 psig (13.8 bar). Continuous single side only pressure should not exceed 1.25 x full differential pressure range.
Enclosure Rating	Weatherproof UL type 4X (IP65).
Repeatability	±2% of full range.
Switch Type	SPDT snap switch.
Electrical Rating	5 A @ 125/250 VAC, 5 A res. @ 30 VDC.
Electrical Connection	Removable terminal block.
Conduit Connection	0.871" diameter hole for 1/2" conduit fitting.
Process Connection	1/4" NPT female.
Mounting Orientation	Ports on horizontal plane, ±10°.
Set Point Adjustment	External Screw.
Housing Materials	Body: Aluminum; Housing: Polycarbonate; Cover: 300 SS.
Vibration and Shock	Set point repeats after 2.5 Gs, 5 to 500 Hz, Set point repeats after a 15 Gs, 10 millisecond duration.
Humidity Limit	80% (non-condensing).
Pollution Degree	2.
Environment	Intended for indoor and outdoor use.
Weight	1 lb, 3 oz (0.54 kg).
Agency Approvals	CE, cULus.

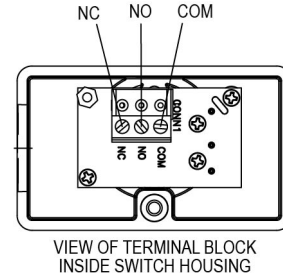




DIMENSIONS

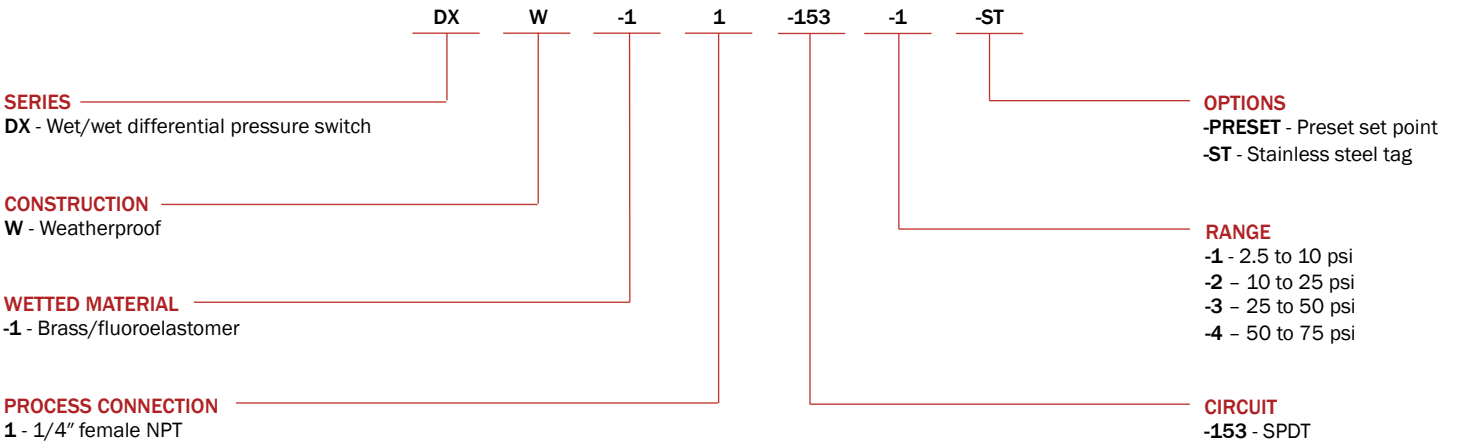


WIRING DIAGRAM



HOW TO ORDER

Use the **bold** characters from the chart below to construct a product code



ACCESSORIES

Model	Description
A-590	1/2" conduit plug, watertight

Important Notice: Dwyer Instruments, Inc. reserves the right to make changes to or discontinue any product or service identified in this publication without notice. Dwyer advises its customers to obtain the latest version of the relevant information to verify, before placing any orders, that the information being relied upon is current.

