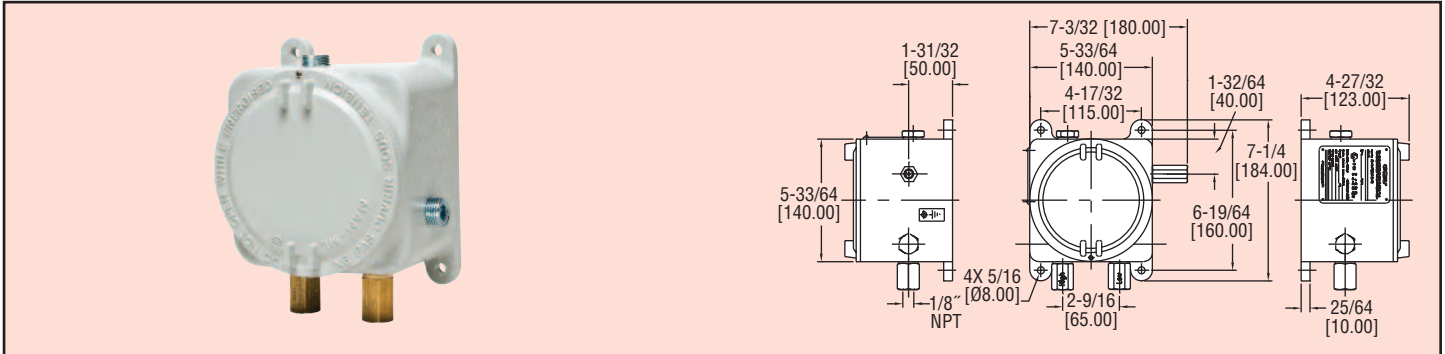




Series
AT1
ADPS

ATEX Approved ADPS Adjustable Differential Pressure Switch

The ADPS in Flame-Proof ATEX Enclosure



The ATEX approved **Series AT1ADPS Adjustable Differential Pressure Switch** is designed for pressure, vacuum, and differential pressure applications in hazardous areas. The dual scaled adjustment knob in inches water column and pascals allows changes to the switching pressure to be made without a pressure gage. The switch is available with settings from 0.08 in w.c. (20 Pa) up to 16 in w.c. (4000 Pa). The silicone diaphragm makes this series ideal for use with air and other noncombustible gases. Flame-proof ATEX enclosures are available in aluminum and can include a glass window for viewing set point status on adjustment knob.

Important notes for installation:

- Cables must be fitted through 1/2" NPT cable gland or ATEX conduit (not supplied with instrument).
- Make sure after cabling to close tight cover and cable gland, in order to keep IP66 rating (IP65 with option OPV, overpressure relief valve).
- Open cover only after de-energizing instrument.
- **Attention:** Check local safety rules and warnings on unit and manual for a correct use of the instrument in hazardous area.

SPECIFICATIONS

- Service:** Air and non-combustible, compatible gases.
- Wetted Materials:** Diaphragm material: Silicone; Housing material: Switch body: PA 6.6 and POM; Cover: Polystyrene; Brass or SS depending on pressure connections chosen.
- Temperature Limits:** Process and ambient temperature from -4 to 185°F (-20 to 85°C); Case: -76 to 140°F (-60 to 60°C) (**Note:** Product temperature limits differ from case).
- Pressure Limits:** 40 in w.c. (10 kPa).
- Switch Type:** SPDT.
- Electrical Rating:** Standard: Max. 1.5 A @ 250 VAC, max. switching rate: 6 cycles/min.
- Set Point Adjustment:** Hand knob on pressure switch inside case. (De-energize before opening case).
- Mounting Orientation:** Vertically, with pressure connections pointing downwards.
- Mechanical Working Life:** Over 10⁶ switching operations.
- Enclosure Rating:** IP66. IP65 with option OPV, overpressure relief valve.
- Housing Material:** Aluminum.
- Finishing:** Texture epoxy coat RAL7038.
- Process Connections:** 1/8" NPT female brass (SS optional). In presence of acetylene it is necessary to use SS.
- Electrical Connections:** Two 1/2" NPT female. Cable gland not included.
- Weight:** 7 lb (3.2 kg).
- ATEX Approved Products from Comhas with ECN:** BVI 14ATEX0072.
- Agency Approvals:** CE 1370 Ex II2 GD Ex d IIC Gb T6; -60°C ≤ Ta ≤ +60°C Ex tb IIIC Db T 85°C.

Series	AT1ADPS									
Range		-08								.08 to 1.2 in w.c. (20 to 300 Pa)
		-04								.12 to 1.6 in w.c. (30 to 400 Pa)
		-03								.2 to 2 in w.c. (50 to 500 Pa)
		-05								.8 to 4 in w.c. (200 to 1000 Pa)
		-06								2 to 10 in w.c. (500 to 2500 Pa)
		-07								4 to 20 in w.c. (1000 to 5000 Pa)
			-2							Internal cable gland
Switch				-N						1.5 A @ 250 VAC
Housing Material					-A					Aluminum
Cover						B				Blind
						O				Glass top cover
Process Connections								1		1/8" NPT female brass ports
								2		1/8" NPT female SS ports
Overpressure Plug									X	Standard without overpressure relief valve
									OPV	Overpressure relief valve
										Material same as ports
Tag										T2
										SS information label