

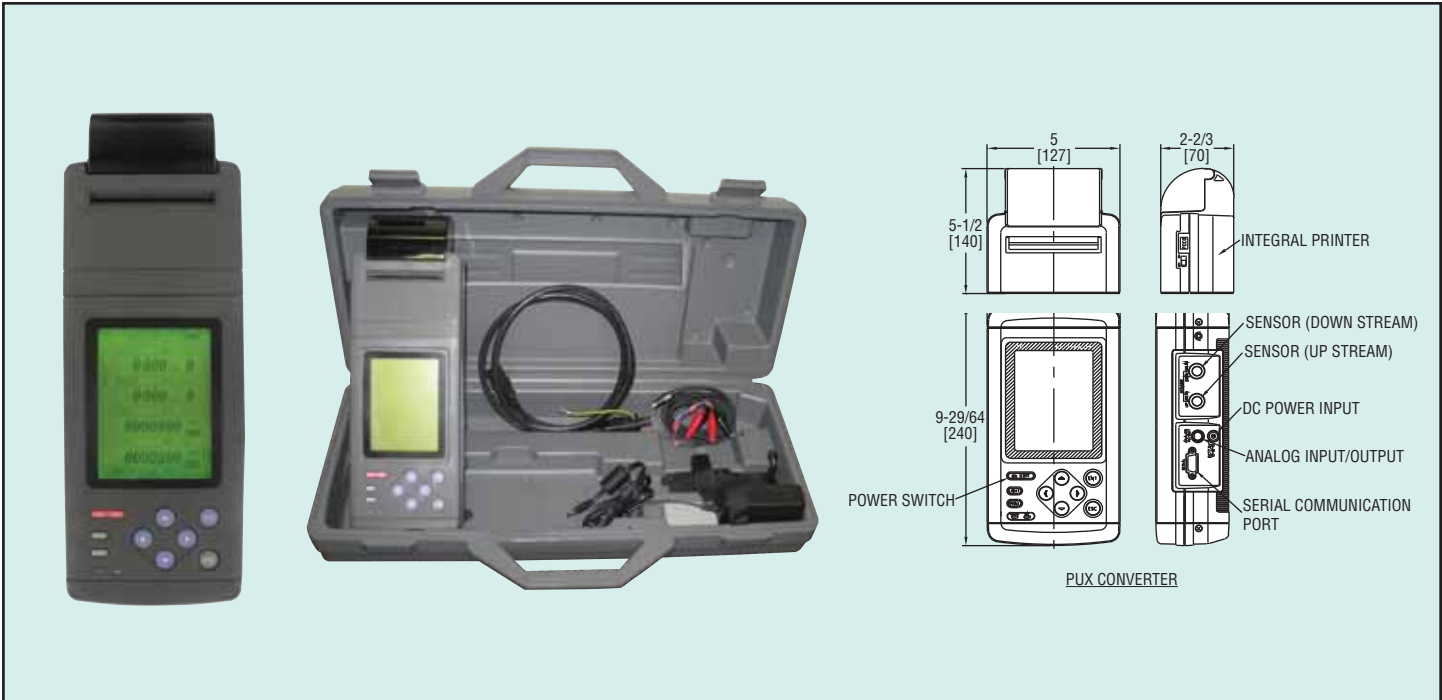


Series
PUX

Portable Ultrasonic Flowmeter Converter

Compact and Lightweight

Flow



Series PUX Portable Ultrasonic Flowmeter Converters are paired with Series PSX2 sensors in order to utilize the transit-time difference for measuring flow rates in pipes from the outside. It is a compact and lightweight instrument incorporating the latest electronics and digital signal processing technologies, realizing high performance and easy operation. This portable unit is designed for 5 hours of continuous operation with its built-in battery, which only requires 3 hours to recharge.

Series PUX Portable Ultrasonic Flowmeter Converters:

- Reduced size and weight
- Compatible with a wide range of sensors
- Quick response with high-speed microprocessor
- Large type graphic LCD

Model No.	Portable Ultrasonic Flowmeter Converter
PUX	Converter
PUX-PR	Converter with Printer

SPECIFICATIONS

Service: Homogeneous liquids (water, sea water, oil, and fluid of unknown velocity) capable of ultrasonic wave propagation.

Input: BNC connector, coaxial cable from sensor.

Range: 0 to ± 105 fps (0 to ± 32 m/s).

Display: LCD, 240 x 320 dot (with back light).

Accuracy: $\pm 1.0\%$ of rate.

Power Requirement: Built in special type Ni-Cad battery (Continuous operation time: 5 hours without printer and back light off) (Recharging time: 3 hours, power adapter used).

Power Consumption: 12 W or less.

Power Adapter: Special type power adapter 90 to 264 VAC, 47/63Hz.

Power Failure Backup: Memory backup with lithium battery (effective term, 5 years).

Temperature Limits: Ambient 131°F (55°C) without printer; 113°F (45°C) with printer.

Output: 4 to 20 mA DC, 1 point (load resistance, 0 to 1 kohms).

Serial Communications: RS-232C (not isolated), 1 point.

Enclosure Rating: Dust-proof, IP50.

Materials: Plastic case.

Weight: 3.3 lb (1.5 kg) without printer; 4.4 lb (2.0 kg) with printer.