

SLM Metal Slot Sensors

Fixed-distance slot sensors for a wide variety of industrial applications



Available in six slot widths from 10 to 220 mm



Solves the most applications

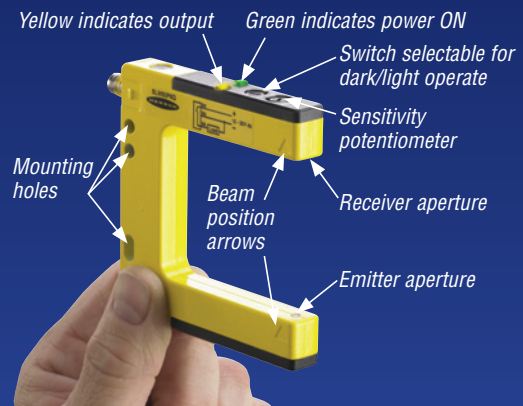
- ▶ Senses parts on conveyor rails and belts
- ▶ Detects object edges and protruding features
- ▶ Verifies position, orientation and dimensions of components
- ▶ Monitors container fill levels
- ▶ Counts gear teeth
- ▶ Checks tools for breakage



Self-contained, U-shaped housing allows easy setup and operation

Rugged metal sensor detects objects that pass between the opposed-mode emitter and receiver

- Provides fast 500-microsecond response time
- Offers one-piece, fixed-distance emitter and receiver design
- Requires no alignment or fibers
- Detects object as small as 0.30 mm
- Includes single-turn potentiometer sensitivity adjustment and visible red beam
- Offers sealed selection switch for light/dark operate
- Includes M4 threaded holes for easy mounting without brackets
- Available in nickel-plated brass housing for increased protection against corrosion in harsh environments
- Offered with current sourcing (PNP), current sinking (NPN) or bipolar (one NPN and one PNP) output
- Includes 3- or 4-pin quick disconnects; 3-pin offers drop-in replacement for existing applications



www.bannerengineering.com/slm

1.866.816.5174



more sensors, more solutions

bannerengineering.com

SLM Metal Slot Sensors

SLM Models, 10-30V dc



Models†	Sensing Mode/LED*	Slot Width/Depth	Overall Width	Overall Depth	Cable**	Output Type	Response	Repeatability	Data Sheet	
SLM10B6		10 mm/ 60.8 mm	42 mm	80 mm	2 m	Bipolar NPN/PNP	500 µs	95 µs	122703	
SLM10B6QPMA					4-Pin Euro Pigtail QD	PNP				
SLM10P6Q					3-Pin Pico QD					NPN
SLM10N6Q					3-Pin Pico QD					
SLM30B6		30 mm/ 60.8 mm	62 mm	80 mm	2 m	Bipolar NPN/PNP				
SLM30B6QPMA					4-Pin Euro Pigtail QD	PNP				
SLM30P6Q					3-Pin Pico QD					NPN
SLM30N6Q		3-Pin Pico QD								
SLM50B6		50 mm/ 60.8 mm	82 mm	80 mm	2 m	Bipolar NPN/PNP				
SLM50B6QPMA					4-Pin Euro Pigtail QD	PNP				
SLM50P6Q					3-Pin Pico QD					NPN
SLM50N6Q					3-Pin Pico QD					
SLM80B6		80 mm/ 60.8 mm	112 mm	80 mm	2 m	Bipolar NPN/PNP				
SLM80B6QPMA					4-Pin Euro Pigtail QD	PNP				
SLM80P6Q					3-Pin Pico QD					NPN
SLM80N6Q					3-Pin Pico QD					
SLM120B6		120 mm/ 120.7 mm	152 mm	140 mm	2 m	Bipolar NPN/PNP				
SLM120B6QPMA					4-Pin Euro Pigtail QD	PNP				
SLM120P6Q					3-Pin Pico QD					NPN
SLM120N6Q					3-Pin Pico QD					
SLM220B6	220 mm/ 120.7 mm	252 mm	140 mm	2 m	Bipolar NPN/PNP					
SLM220B6QPMA				4-Pin Euro Pigtail QD	PNP					
SLM220P6Q				3-Pin Pico QD		NPN				
SLM220N6Q				3-Pin Pico QD						

* Visible Red LED

** For 9 m cable, add suffix **W/30** to the 2 m model number (example, **SLM10B6 W/30**). A model with a QD requires a mating cable.

† Standard models have yellow painted surface. For models with nickel-plated surface, add the suffix **N** to the model number (example, **SLM10P6QN**).

4-pin Euro-Style Quick-Disconnect (QD) Cables



Style	Model	Length	Dimensions	Female Pinout
4-pin Euro-style straight	MQDC-406 MQDC-415 MQDC-430	2 m 5 m 9 m		
4-pin Euro-style right-angle	MQDC-406RA MQDC-415RA MQDC-430RA	2 m 5 m 9 m		1 = Brown 2 = White 3 = Blue 4 = Black

3-pin Pico-Style Quick-Disconnect (QD) Cables



Style	Model	Length	Dimensions	Female Pinout
3-pin Pico-style straight	PKG3M-2 PKG3M-9	2 m 9 m		
3-pin Pico-style right-angle	PKW3M-2 PKW3M-9	2 m 9 m		1 = Brown 3 = Blue 4 = Black



www.bannerengineering.com/slm

Banner Engineering Corp.

9714 Tenth Avenue North • Minneapolis, Minnesota 55441 • (763) 544-3164 • Fax: (763) 544-3213
Toll Free 888-373-6767 www.bannerengineering.com • e-mail: sensors@bannerengineering.com

P/N 128093



more sensors, more solutions

Printed in USA