

QMT42 Series Long-Range Diffuse Sensors



Datasheet

Adjustable sensing distance up to 6 meters (20 inches)



- Powerful, collimated infrared light source and special lensing for reliable long-range detection of even the darkest objects
- Low-cost, compact, rugged sensors in metal die-cast housings
- Leakproof IP67 (NEMA 6) construction for reliable sensing in harsh environments
- Outstanding electrical noise immunity
- Dual LED system indicates sensor performance
- Choice of unterminated cable or quick-disconnect connector



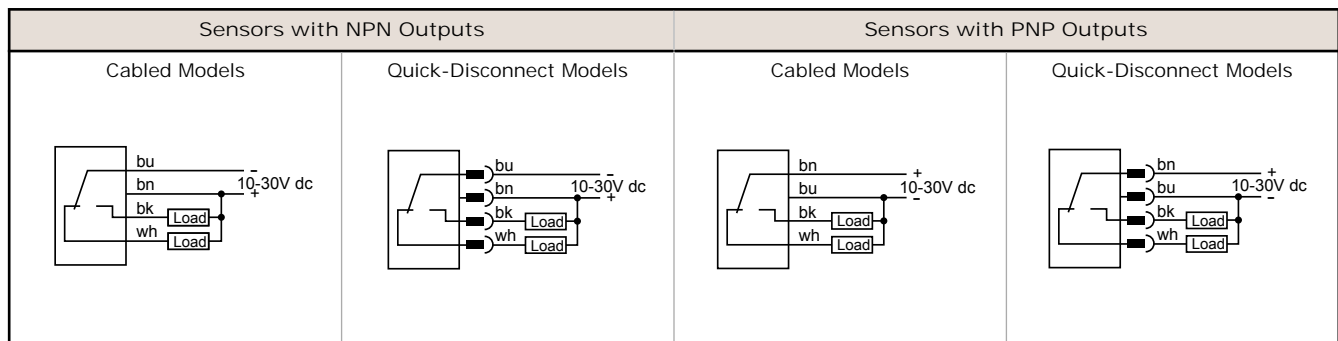
WARNING: Not To Be Used for Personnel Protection

Never use this device as a sensing device for personnel protection. Doing so could lead to serious injury or death. This device does not include the self-checking redundant circuitry necessary to allow its use in personnel safety applications. A sensor failure or malfunction can cause either an energized or de-energized sensor output condition.

Models

Models	Range	Cable	Supply Voltage	Output Type
QMT42VN6DX	10 mm (0.4 in) to 6 m (20 ft)	2 m (6.5 ft)	10 V dc to 30 V dc	NPN
QMT42VN6DXQ		4-pin Euro QD		
QMT42VP6DX		2 m (6.5 ft)		PNP
QMT42VP6DXQ		4-pin Euro QD		

Wiring



Specifications

- Sensing Beam**
Infrared, 880 nm
- Supply Voltage and Current**
10 to 30 V dc (10% max. ripple) at less than 40 mA
- Supply Protection Circuitry**
Protected against reverse polarity and transient voltages
- Output Configuration**
SPDT (complementary) solid-state dc switch; choose NPN or PNP models
Light operate: N.O. output conducts when the sensor sees its own modulated light
Dark operate: N.C. output conducts when the sensor sees dark
- Output Rating**
100 mA maximum (each output)
OFF-state leakage current: < 5 microamps at 30 V dc
ON-state saturation voltage: < 1 V at 10 mA dc; < 1.5 V at 100 mA dc
- Output Protection Circuitry**
Protected against false pulse on power-up and continuous overload or short-circuit of outputs
Overload trip point \geq 130 mA, typical, at 20 °C
- Output Response Time**
1 millisecond on and off



NOTE: 100 millisecond delay on power-up; outputs are non-conducting during this time

- Repeatability of Response**
250 microseconds
- Sensing Hysteresis**
Less than 20% of set sensing distance

- Adjustments**
4-turn slotted Gain (sensitivity) adjustment potentiometer (clutched at both ends of travel)
- Range**
10 mm (0.4 in) to 6 m (20 ft)
- Indicators**
Two LEDs: Green and Amber
Green on steady = power to sensor is ON
Green flashing = output is overloaded
Amber on steady = light is sensed; normally open output ON
Amber flashing = marginal excess gain (1-1.5x) in light condition
- Construction**
Housings are die-cast zinc alloy with black acrylic polyurethane finish; lenses are acrylic
- Environmental Rating**
IEC IP67
NEMA 6
- Connections**
2 m (6.5 ft) or 9 m (30 ft) attached cable, or 4-pin M12/Euro-style quick-disconnect fitting; cables for QD models are purchased separately
- Operating Conditions**
-20 °C to +55 °C (-4 °F to +131°F)
90% at +50 °C maximum relative humidity (non-condensing)
- Certification**



Performance

The performance is based on a 90% reflective white test card.

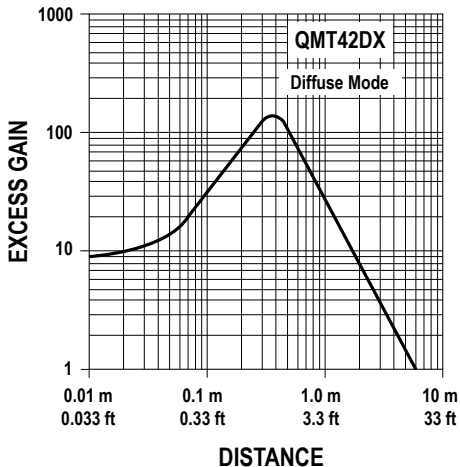


Figure 1. Excess Gain

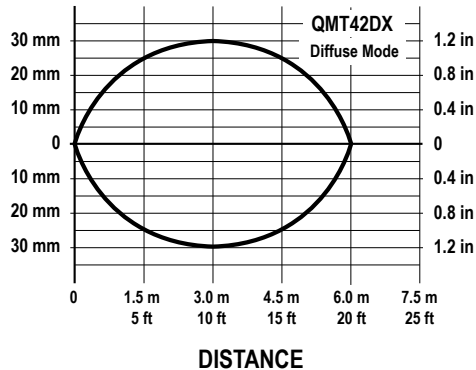


Figure 2. Beam Pattern

Dimensions

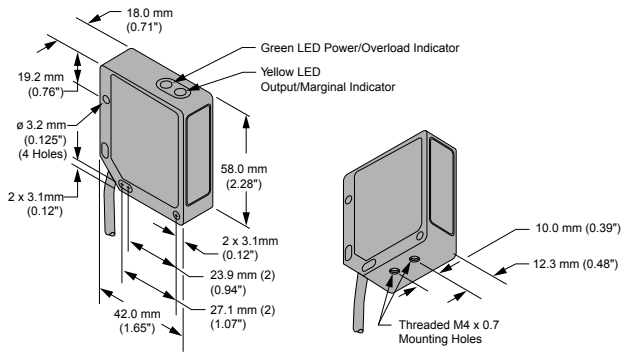


Figure 3. Cabled Models

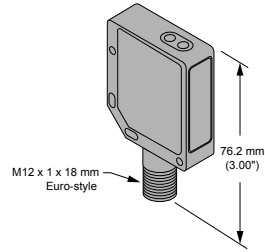


Figure 4. Quick-Disconnect Models



Figure 5. Sensitivity Control

All measurements are listed in millimeters (inches), unless noted otherwise.

Accessories

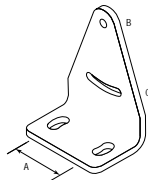
Quick-Disconnect (QD) Cables

4-Pin Threaded M12/Euro-Style Cordsets				
Model	Length	Style	Dimensions	Pinout (Female)
MQDC-406	1.83 m (6 ft)	Straight		<p>1 = Brown 2 = White 3 = Blue 4 = Black</p>
MQDC-415	4.57 m (15 ft)			
MQDC-430	9.14 m (30 ft)			
MQDC-450	15.2 m (50 ft)			
MQDC-406RA	1.83 m (6 ft)	Right-Angle		
MQDC-415RA	4.57 m (15 ft)			
MQDC-430RA	9.14 m (30 ft)			
MQDC-450RA	15.2 m (50 ft)			

Mounting Brackets

SMB42T

- Stainless steel 2-axis side-mounting bracket
- Nut strap included for replacing two M3 mounting nuts

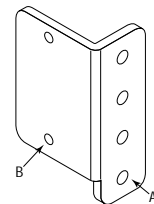


Hole center spacing: A = 20.3, B to C = 24.1

Hole size: A = \varnothing 4.3 \times 20°, B = \varnothing 3.0, C = \varnothing 3.0 \times 30°

SMB42L

- 13-ga. stainless steel
- Hardware included

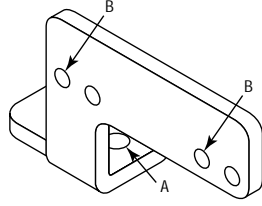


Hole center spacing: A = 10.0, B = 25.4

Hole size: A = \varnothing 3.4, B = \varnothing 2.5

SMB42F

- 13-ga. stainless steel
- Hardware included

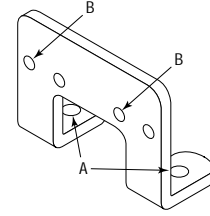


Hole center spacing: A = 10.0, B = 25.4

Hole size: A = \varnothing 3.4, B = \varnothing 2.5

SMB42U

- 13-ga. stainless steel
- Hardware included



Hole center spacing: A = 30.0, B = 25.4

Hole size: A = \varnothing 3.4, B = \varnothing 2.5

Banner Engineering Corp. Limited Warranty

Banner Engineering Corp. warrants its products to be free from defects in material and workmanship for one year following the date of shipment. Banner Engineering Corp. will repair or replace, free of charge, any product of its manufacture which, at the time it is returned to the factory, is found to have been defective during the warranty period. This warranty does not cover damage or liability for misuse, abuse, or the improper application or installation of the Banner product.

THIS LIMITED WARRANTY IS EXCLUSIVE AND IN LIEU OF ALL OTHER WARRANTIES WHETHER EXPRESS OR IMPLIED (INCLUDING, WITHOUT LIMITATION, ANY WARRANTY OF MERCHANTABILITY OR FITNESS FOR A PARTICULAR PURPOSE), AND WHETHER ARISING UNDER COURSE OF PERFORMANCE, COURSE OF DEALING OR TRADE USAGE.

This Warranty is exclusive and limited to repair or, at the discretion of Banner Engineering Corp., replacement. IN NO EVENT SHALL BANNER ENGINEERING CORP. BE LIABLE TO BUYER OR ANY OTHER PERSON OR ENTITY FOR ANY EXTRA COSTS, EXPENSES, LOSSES, LOSS OF PROFITS, OR ANY INCIDENTAL, CONSEQUENTIAL OR SPECIAL DAMAGES RESULTING FROM ANY PRODUCT DEFECT OR FROM THE USE OR INABILITY TO USE THE PRODUCT, WHETHER ARISING IN CONTRACT OR WARRANTY, STATUTE, TORT, STRICT LIABILITY, NEGLIGENCE, OR OTHERWISE.

Banner Engineering Corp. reserves the right to change, modify or improve the design of the product without assuming any obligations or liabilities relating to any product previously manufactured by Banner Engineering Corp.

Copyright Notice

Any misuse, abuse, or improper application or installation of this product or use of the product for personal protection applications when the product is identified as not intended for such purposes will void the product warranty. Any modifications to this product without prior express approval by Banner Engineering Corp will void the product warranties. All specifications published in this document are subject to change: Banner reserves the right to modify product specifications or update documentation at any time. For the most recent version of any documentation, refer to: www.bannerengineering.com. © Banner Engineering Corp. All rights reserved.