

## Hand & Gauge Isolation Valves

Needle Valves

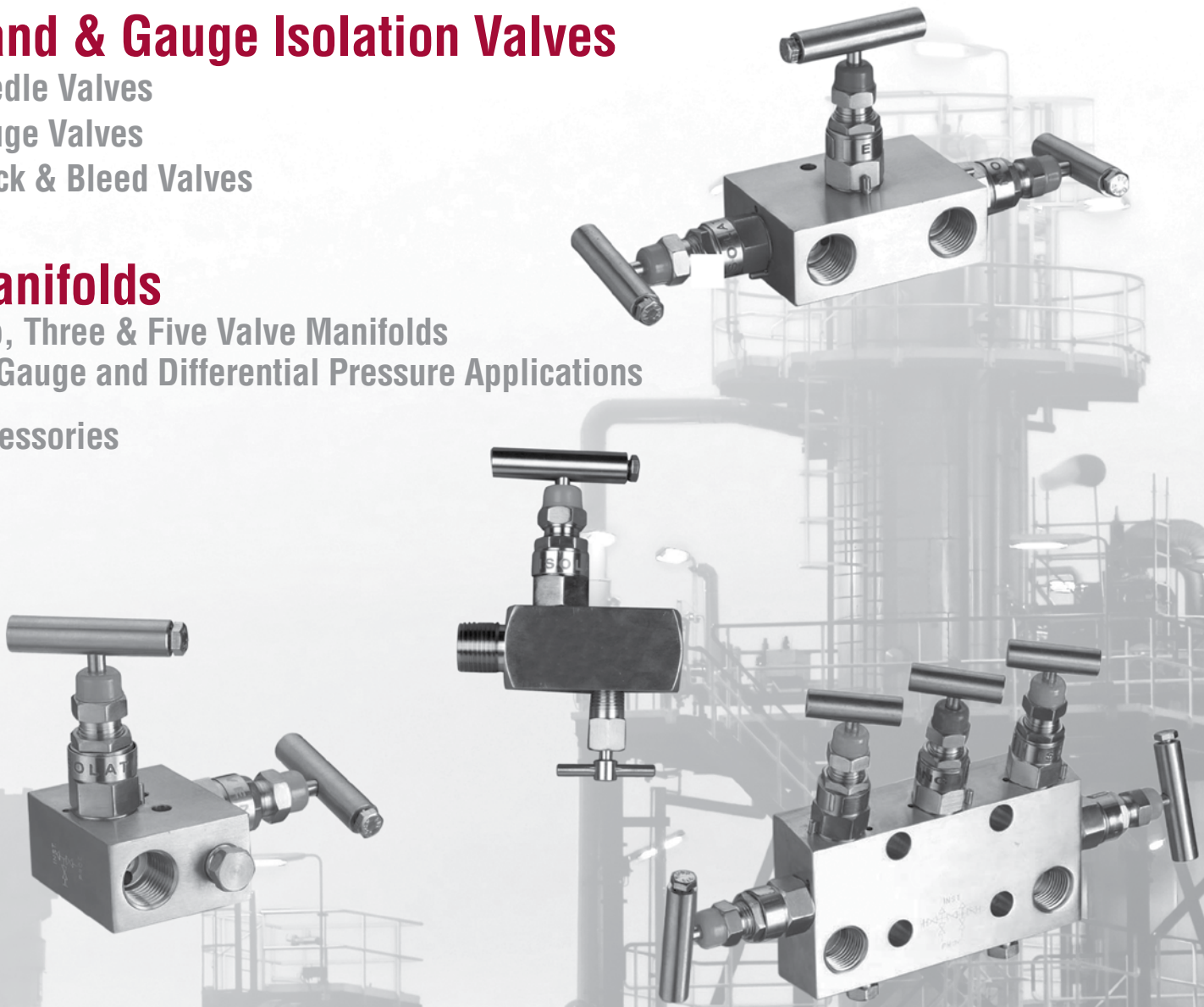
Gauge Valves

Block & Bleed Valves

## Manifolds

Two, Three & Five Valve Manifolds  
for Gauge and Differential Pressure Applications

Accessories



Built Hex tough for a lifetime of use. See how inside . . .

### HEXVALVE

A Division of  
Richards Industries  
3170 Wasson Road  
Cincinnati, OH 45209

toll free. 800.543.7311  
local. 513.533.5600  
fax. 513.871.0105

[www.hexvalve.com](http://www.hexvalve.com)

## Hex Valve History

Most Petrochemical, Refining and Upstream Oil & Gas professionals know a "Hex Valve" as a Generic description for bar stock instrument, gauge and orifice valves. That didn't happen by accident. These valves were originally developed and marketed by us decades ago as a means to simplify the piping associated with gauge and differential pressure transmitter applications.

Hex Valve has repeatedly demonstrated innovation since the company's inception. We were the first company to introduce the Non-Rotating Tip (NRT) stem technology to our industry with our conical NRT stem. The rotating conical tip end forms a lapped mate with the seat preventing galling, and the cross-section scoring that is endemic of ball tip stems.

Since our acquisition in 1985 by Richards Industries, our product line has expanded to cover almost every conceivable primary and secondary valve application for a variety of automated process industries. From small 1/4" needle valves and patented stabilized instrument platforms for the Natural Gas Industry to 2, 3, and 5 valve manifolds and high temperature primary valves and hydrocarbon sampling valves for Oil and Gas Production, Refineries and Power plants. See our website at [www.hexvalve.com](http://www.hexvalve.com) for our complete product line.

Manifold valves used in Europe have traditionally been of a more efficient design and shape, minimizing space, weight and cost.

Hex Valve's new offering continues that excellent tradition with the offerings on the following pages.

Hex does it all with one simple objective in mind . . . "Create value for the customer by simplifying the piping associated with instrumentation, and the distribution of process and utility fluids".

### Hex Value Proposition

- **Hex Valves reduce customer Capex cost by:**
  - **Reducing installation size, material, weight and installation labor**
- **Hex Valves reduce customer SH&E cost by:**
  - **Reducing the number of potential installation leak points**
  - **Reducing total installation weight and moment arm**
- **Hex Valves reduce O & M costs by:**
  - **Creating time saving and unique instrument valve vent and calibration access**

## Table of Contents

Handle - Needle Valves	
EN39 .....	4-5
Block & Bleed Valves	
EB51 .....	6-7
Gauge Valves	
EG35 .....	8-9
EG48 .....	10-11
Manifold Valves	
Gauge Pressure	
EM59 .....	12-13
EM50 .....	14-15
EH72 .....	16-17
EH74 .....	18-19
EH79 .....	20-21
Differential Pressure	
EM53 .....	22-23
EM54 .....	24-25
EM45 .....	26-27
EH33 .....	28-29
EH34 .....	30-31
EH35 .....	32-33
EM57 .....	34-35
EM74 .....	36-37
EH37 .....	38-39
EH38 .....	40-41
EH39 .....	42-43
Accessories	
Manifold Mounting Bracket .....	44
Oval Flange Adaptor .....	44

## Hand - Needle Valves - EN39

### HAND/NEEDLE VALVES

The EN39 Instrument Valves are compact and economical high pressure instrument block valves.

Stem tip is non-rotating tip (NRT) style, standard.

### Product Availability

All valves are available with integral hard seats, 316-NACE stainless steel body and trim and Teflon or Graphite packing.

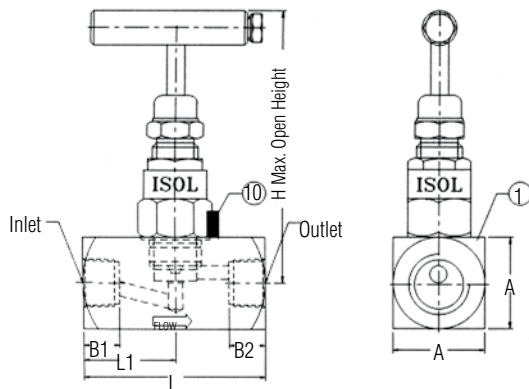
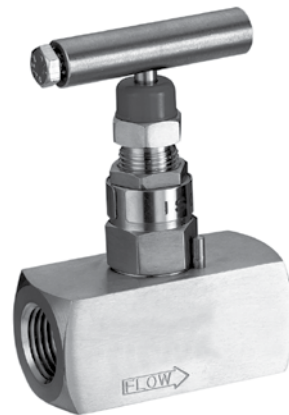
Hastelloy C, Monel models (see order grid) available upon request.

### Ratings

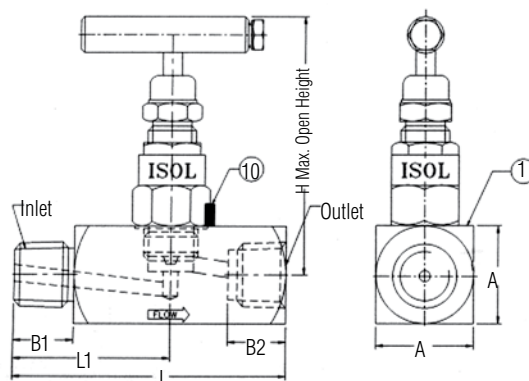
Stainless Steel with TFE Packing:

6000 psig @ 100°F (414 bar @ 38°C)

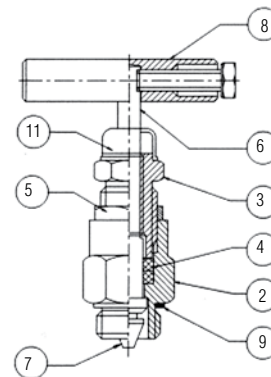
4200 psig @ 400°F (290 bar @ 204°C)



Inlet	Outlet	A	B1	B2	L	L1	H
1/2" NPT (F)	1/2" NPT (F)	32 (1.26)	19 (0.75)	19 (0.75)	68 (2.68)	34 (1.34)	89 (3.50)



Inlet	Outlet	A	B1	B2	L	L1	H
1/2" NPT (M)	1/2" NPT (F)	32 (1.26)	19 (0.75)	19 (0.75)	88 (3.46)	56 (2.20)	89 (3.50)



No.	Description	Material	Qty
1	Body	SS316/NACE	1
2	Gland Body	SS316/NACE	1
3	Gland Retainer	SS304	1
4	Gland Seal	PTFE	2
5	Check Nut	SS304	1
6	Spindle	SS316/NACE	1
7	Trim	SS316/NACE	1
8	Handle	SS304	1
9	Washer	SS	1
10	Lock Pin	SS304	1
11	Dust Cap	PVC	1

Note: Other materials and options available.

MODEL	BODY CONFIG.	BODY MAT'L	INLET SIZE	INLET TYPE	OUTLET SIZE	OUTLET TYPE	STEM/TIP	SEAT MAT'L	PACKING
EN39	1	D	1	3	1	1	3	1	2

MODEL	TYPE
EN39	Standard

10	OUTLET TYPE
1	FNPT

5	BODY
1	Hard Seat

11	STEM/TIP
3	316-NACE/316-NACE
B	Monel/Monel
D	Hastelloy C/Hastelloy C

6	BODY MATERIAL
D	316SS NACE
H	Hastelloy C
M	Monel

12	SEAT MATERIAL
1	Integral Seat

7	INLET SIZE
1	1/4"
3	1/2"

13	PACKING
2	TFE
3	Graphite

8	INLET TYPE
1	MNPT
3	FNPT

9	OUTLET SIZE
1	1/4"
3	1/2"

Note: Inlet and Outlet must be same size

## Flow Schematic



## Block & Bleed Valves - EB51

### BLOCK & VENT VALVES

The economical EB51 features a fully packed and backseated block valve along with a bleed/plug. With a gauge or transmitter threaded in its outlet, the EB51 will allow pressure to be blocked and bled for convenient instrument removal. The EB51 can also be threaded into a Hex Primary Block Valve to provide secondary block and bleed functions.

### Product Availability

All valves are available with integral hard seats, 316-NACE stainless steel body and trim and Teflon or Graphite packing.

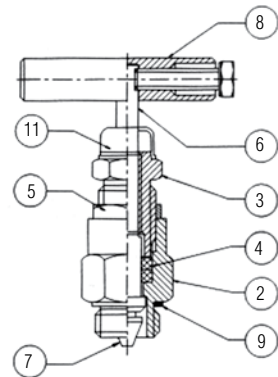
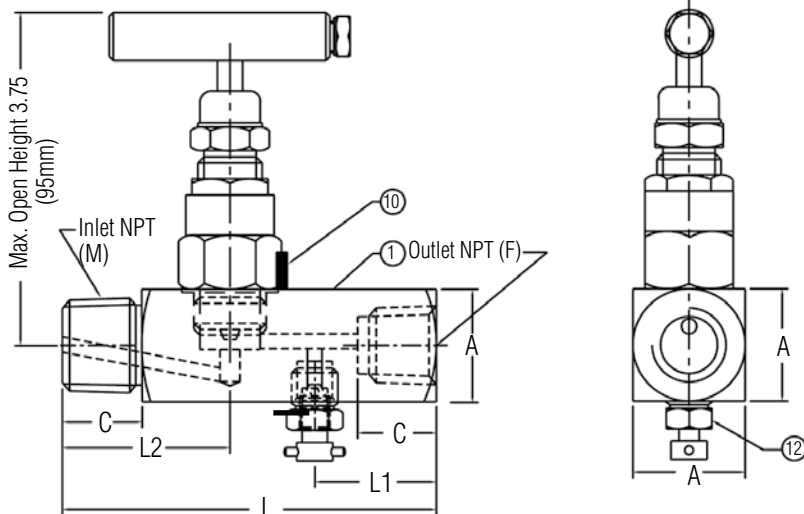
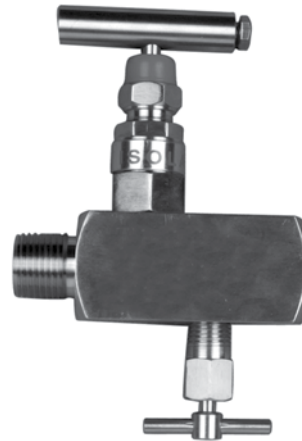
Hastelloy C, Monel models (see order grid) available upon request.

### Ratings

Stainless Steel with TFE Packing:

6000 psig @ 100°F (414 bar @ 38°C)

4200 psig @ 400°F (290 bar @ 204°C)



No.	Description	Material	Qty
1	Body	SS316/NACE	1
2	Gland Body	SS316/NACE	1
3	Gland Retainer	SS304	1
4	Gland Seal	PTFE	2
5	Check Nut	SS304	1
6	Spindle	SS316/NACE	1
7	Trim	SS316/NACE	1
8	Handle	SS304	1
9	Washer	SS	1
10	Lock Pin	SS304	1
11	Dust Cap	PVC	1
12	1/4" NPT Bleed Plug	SS316/NACE	1

Note: Other materials and options available.

Size	L	L1	L2	C	A	Test Pressure Hydro. at Room Temp
1/2" NPT (M) x 1/2" NPT (F)	88 (3.46)	30 (1.18)	40 (1.57)	19 (0.75)	32 (1.26)	6000 psi

MODEL	BODY CONFIG.	BODY MAT'L	INLET SIZE	INLET TYPE	OUTLET SIZE	OUTLET TYPE	STEM/TIP	SEAT MAT'L	PACKING
EB51	1	D	3	1	3	1	3	1	2

MODEL	TYPE
EB51	Standard

10	OUTLET TYPE
1	FNPT

5	BODY
1	Hard Seat

11	STEM/TIP
3	316-NACE/316-NACE
B	Monel/Monel
D	Hastelloy C/Hastelloy C

6	BODY MATERIAL
D	316SS-NACE
H	Hastelloy C
M	Monel

12	SEAT MATERIAL
1	Integral Seat

7	INLET SIZE
3	1/2"

13	PACKING
2	TFE
3	Graphite

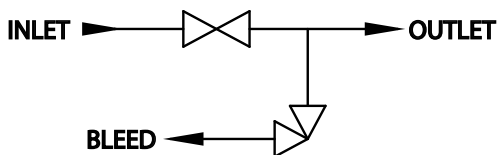
8	INLET TYPE
1	MNPT
3	FNPT

Note: Inlet and Outlet must be same size

9	OUTLET SIZE
3	1/2"

\*Available in 1/2" MNPT x 1/2" FNPT or 1/2" FNPT x 1/2" FNPT

## Flow Schematic



## Gauge Valves - EG35

### GAUGE VALVES

The EG35 gauge valve, with a female or male inlet, female or male outlet and integral vent valve, meets the application requirement for a block and bleed valve without the need for a close nipple when connecting to a female port on a gauge pressure transmitter. The male outlet configuration provides one less threaded connection and therefore one less potential leak point.

Other manufacturers generally supply 1/2" NPT female instrument connections on gauge valve installations. This usually requires the installation of a 1/2" stainless steel close nipple with each gauge or pressure transmitter.

### Product Availability

All valves are available with integral hard seats, 316-NACE stainless steel body and trim and Teflon or Graphite packing.

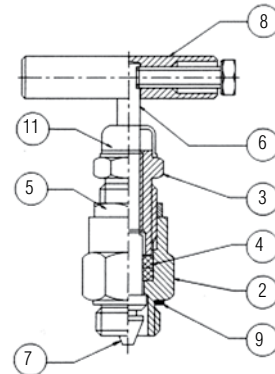
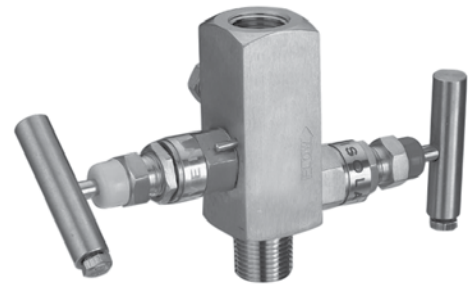
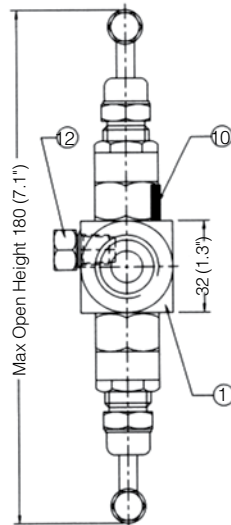
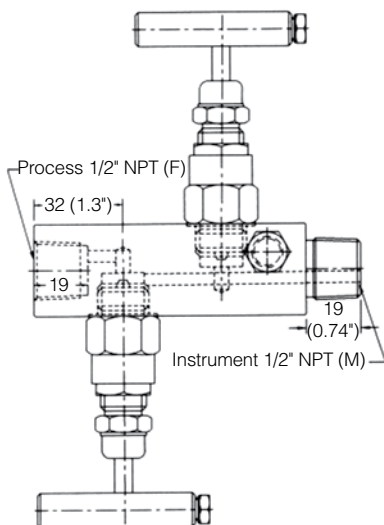
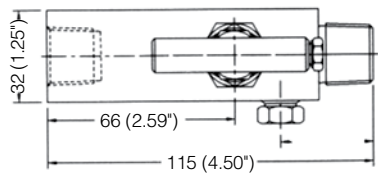
Hastelloy C, Monel models (see order grid) available upon request.

### Ratings

Stainless Steel with TFE Packing:

6000 psig @ 100°F (414 bar @ 38°C)

4200 psig @ 400°F (290 bar @ 204°C)



No.	Description	Material	Qty
1	Body	SS316/NACE	1
2	Gland Body	SS316/NACE	2
3	Gland Retainer	SS304	2
4	Gland Seal	PTFE	4
5	Check Nut	SS304	2
6	Spindle	SS316/NACE	2
7	Trim	SS316/NACE	2
8	Handle	SS304	2
9	Washer	SS	2
10	Lock Pin	SS304	2
11	Dust Cap	PVC	2
12	1/4" NPT Plug	SS316/NACE	1

Note: Other materials and options available



MODEL	BODY CONFIG.	BODY MAT'L	INLET SIZE	INLET TYPE	OUTLET SIZE	OUTLET TYPE	STEM/TIP	SEAT MAT'L	PACKING
EG35	1	D	3	1	3	7	3	1	2

MODEL	TYPE
EG35	Standard

5	BODY
1	Hard Seat

6	BODY MATERIAL
D	316-NACE
H	Hastelloy C
M	Monel

7	INLET SIZE
3	1/2"

8	INLET TYPE
1	MNPT
3	FNPT

9	OUTLET SIZE
3	1/2"

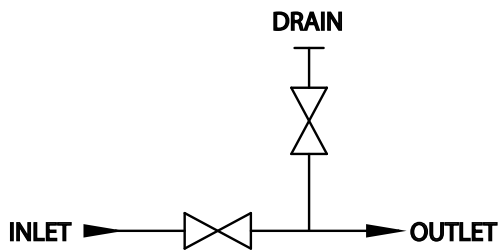
10	OUTLET TYPE
1	FNPT
7	MNPT

11	STEM/TIP
3	316-NACE/316-NACE
B	Monel/Monel
D	Hastelloy C/Hastelloy C

12	SEAT MATERIAL
1	Integral Seat

13	PACKING
2	TFE
3	Graphite

## Flow Schematic



## Gauge and Block & Vent Valves - EG48

### GAUGE VALVES

The EG48 gauge valve provides three outlet connections to facilitate the mounting of gauges and other gauge pressure instruments in a variety of positions. The design creates a compact installation with fewer leak points compared to conventional pipe nipple and Tee arrangements. The EG48 has an integral hard seat which matches the body material. Hand - Needle Valves can be installed in one of the three outlets to act as integral vent valves.

### Product Availability

All valves are available with integral hard seats, 316-NACE stainless steel body and trim and Teflon or Graphite packing.

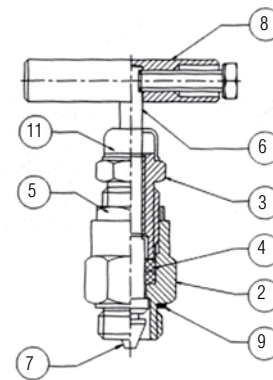
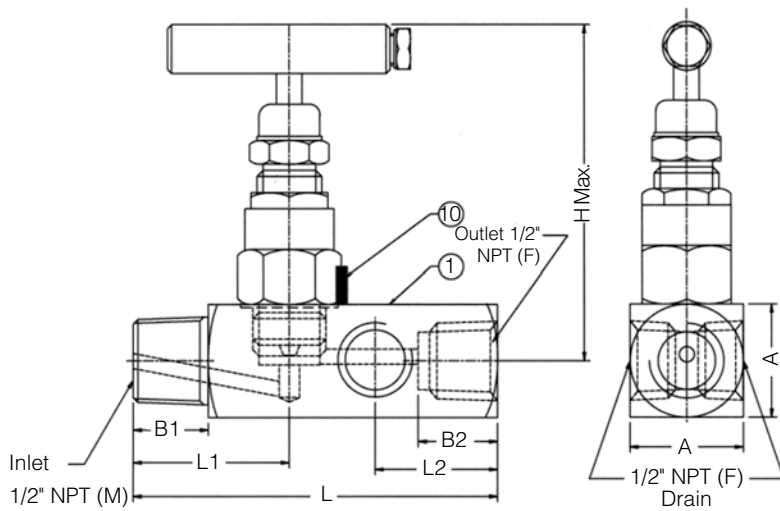
Hastelloy C, Monel models (see order grid) available upon request.

### Ratings

Stainless Steel with TFE Packing:

6000 psig @ 100°F (414 bar @ 38°C)

4200 psig @ 400°F (290 bar @ 204°C)



Inlet	Outlet	A	B1	B2	L	L1	L2	H
1/2" NPT (M)	1/2" NPT (F)	32 (1.26)	19 (0.75)	19 (0.75)	110 (4.33)	51 (2.0)	32 (1.26)	89 (3.50)

No.	Description	Material	Qty
1	Body	SS316/NACE	1
2	Gland Body	SS316/NACE	1
3	Gland Retainer	SS304	1
4	Gland Seal	PTFE	2
5	Check Nut	SS304	1
6	Spindle	SS316/NACE	1
7	Trim	SS316/NACE	1
8	Handle	SS304	1
9	Washer	SS	1
10	Lock Pin	SS304	1
11	Dust Cap	PVC	1

Note: Other materials and options available.

MODEL	BODY CONFIG.	BODY MAT'L	INLET SIZE	INLET TYPE	OUTLET SIZE	OUTLET TYPE	STEM/TIP	SEAT MAT'L	PACKING
EG48	1	D	3	1	3	1	3	1	2

MODEL	TYPE
EG48	Standard

5	BODY
1	Hard Seat

6	BODY MATERIAL
D	316-NACE
H	Hastelloy C
M	Monel

7	INLET SIZE
3	1/2"

8	INLET TYPE
1	MNPT

9	OUTLET SIZE
3	1/2"

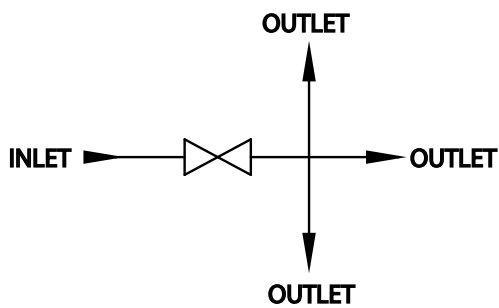
10	OUTLET TYPE
1	FNPT
7	MNPT

11	STEM/TIP
3	316-NACE/316-NACE
B	Monel/Monel
D	Hastelloy C/Hastelloy C

12	SEAT MATERIAL
1	Integral Seat

13	PACKING
2	TFE
3	Graphite

## Flow Schematic



## Gauge Pressure Manifold Valves - EM59

### TWO VALVE MANIFOLD: REMOTE MOUNT

The EM59 is a compact remote mounted two valve manifold that functions as a shutoff and vent valve for static pressure instrumentation. Compared to traditional piping methods that use an arrangement of pipe nipples or tubing, Tees and hand valves, the EM59 Series provides an easy-to-install unit that performs the same function for less material and labor cost. The EM59 also reduces the number of threaded connections, resulting in fewer potential leak points.

### Product Availability

All valves are available with integral hard seats, 316-NACE stainless steel body and trim and Teflon or Graphite packing.

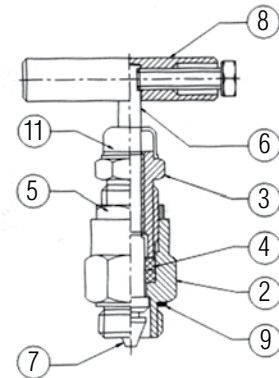
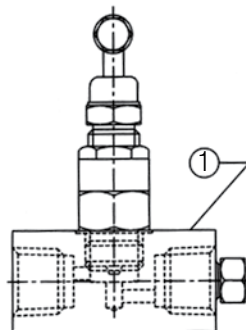
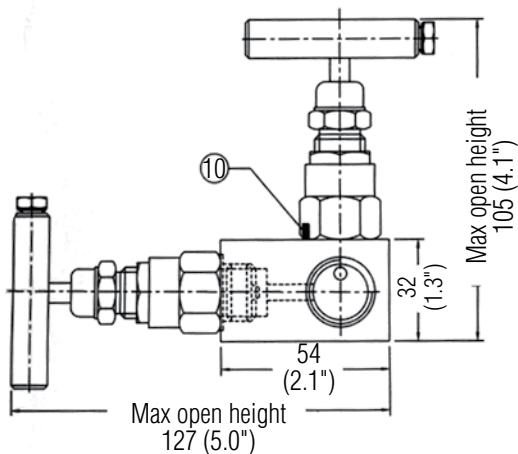
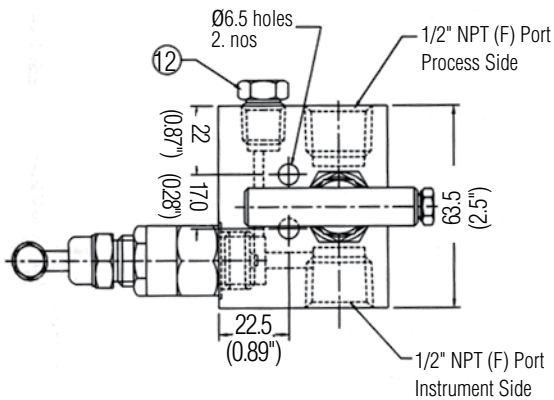
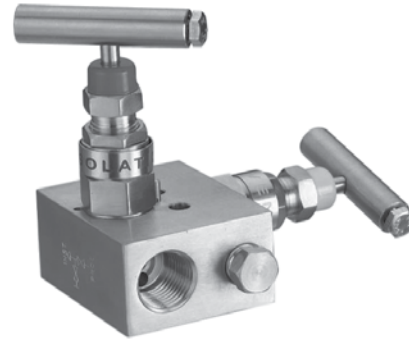
Hastelloy C, Monel models (see order grid) available upon request.

### Ratings

Stainless Steel with TFE Packing:

6000 psig @ 100°F (414 bar @ 38°C)

4200 psig @ 400°F (290 bar @ 204°C)



No.	Description	Material	Qty
1	Body	SS316/NACE	1
2	Gland Body	SS316/NACE	2
3	Gland Retainer	SS304	2
4	Gland Seal	PTFE	4
5	Check Nut	SS304	2
6	Spindle	SS316/NACE	2
7	Trim	SS316/NACE	2
8	Handle	SS304	2
9	Washer	SS	2
10	Lock Pin	SS304	2
11	Dust Cap	PVC	2
12	1/4" NPT Drain Plug	SS316/NACE	1

Note: Other materials and options available.

MODEL	BODY CONFIG.	BODY MAT'L	INLET SIZE	INLET TYPE	OUTLET SIZE	OUTLET TYPE	STEM/TIP	SEAT MAT'L	PACKING
EM59	1	D	3	3	3	1	3	1	2

MODEL	TYPE
EM59	Standard

5	BODY
1	Hard Seat

6	BODY MATERIAL
D	316SS NACE
H	Hastelloy C
M	Monel

7	INLET SIZE
3	1/2"

8	INLET TYPE
3	FNPT

9	OUTLET SIZE
3	1/2"

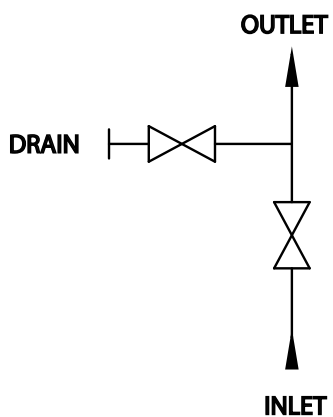
10	OUTLET TYPE
1	FNPT

11	STEM/TIP
3	316-NACE/316-NACE
B	Monel/Monel
D	Hastelloy C/Hastelloy C

12	SEAT MATERIAL
1	Integral Seat

13	PACKING
2	TFE
3	Graphite

## Flow Schematic



## Guage Pressure Manifold Valves - EM50

### TWO VALVE MANIFOLD: DIRECT MOUNT

The EM50 is a single flanged, static pressure manifold that incorporates a block valve and a vent valve into a single valve assembly. The side vent outlet (not shown in photo) is plugged, allowing removal during maintenance, or the installation of a calibration fitting.

The compact and economical EM50 features a threaded inlet and flanged outlet, allowing the transmitter to bolt directly to the manifold. The lightweight design requires two transmitter bolts permitting rapid assembly to the transmitter.

### Product Availability

All valves are available with integral hard seats, 316-NACE stainless steel body and trim and Teflon or Graphite packing.

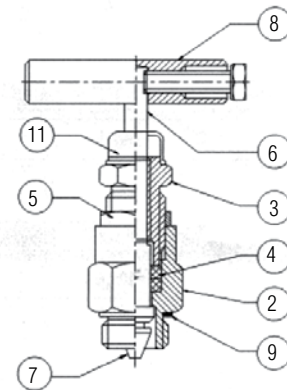
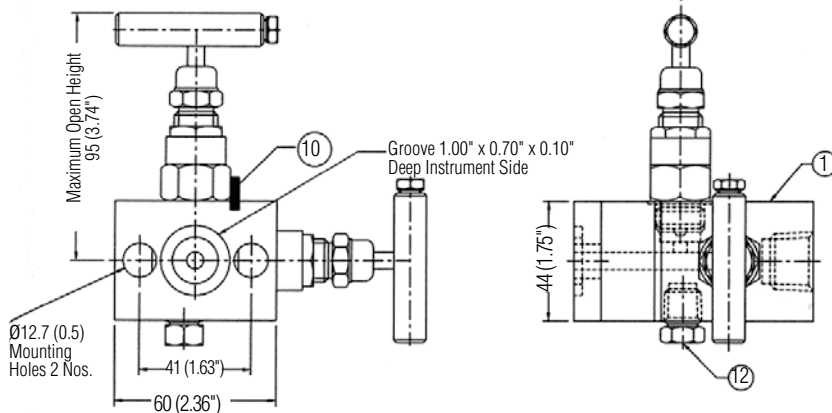
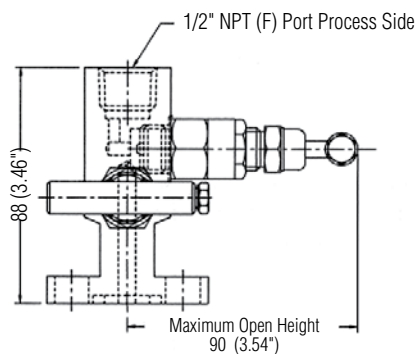
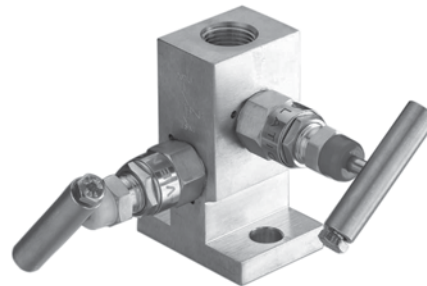
Hastelloy C, Monel models (see order grid) available upon request.

### Ratings

Stainless Steel with TFE Packing:

6000 psig @ 100°F (414 bar @ 38°C)

4200 psig @ 400°F (290 bar @ 204°C)



No.	Description	Material	Qty
1	Body	SS316/SS316 NACE	1
2	Gland Body	SS316/SS316 NACE	2
3	Gland Retainer	SS304	2
4	Gland Seal	PTFE	4
5	Check Nut	SS304	2
6	Spindle	SS316/SS316 NACE	2
7	Trim	SS316/SS316 NACE	2
8	Handle	SS304	2
9	Washer	SS	2
10	Lock Pin	SS304	2
11	Dust Cap	PVC	2
12	1/4" NPT Drain Plug	SS316/SS316 NACE	1

Note: Other materials and options available

MODEL	BODY CONFIG.	BODY MAT'L	INLET SIZE	INLET TYPE	OUTLET SIZE	OUTLET TYPE	STEM/TIP	SEAT MAT'L	PACKING
EM50	1	D	3	3	9	9	3	1	2

MODEL	TYPE
EM50	Standard

10	OUTLET TYPE
9	Flanged

5	BODY
1	Hard Seat

11	STEM/TIP
3	316-NACE/316-NACE
B	Monel/Monel
D	Hastelloy C/Hastelloy C

6	BODY MATERIAL
D	316SS-NACE
H	Hastelloy C
M	Monel

12	SEAT MATERIAL
1	Integral Seat

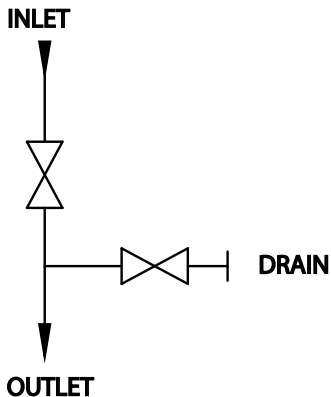
7	INLET SIZE
3	1/2"

13	PACKING
2	TFE
3	Graphite

8	INLET TYPE
3	FNPT

9	OUTLET SIZE
9	Flanged

## Flow Schematic



## Guage Pressure Manifold Valves - EH72

### TWO VALVE MANIFOLD: REMOTE MOUNT

The EH72 is a compact remote mounted two valve manifold that functions as a shutoff and vent valve for static pressure instrumentation. Compared to traditional piping methods that use an arrangement of pipe nipples or tubing, Tees and hand valves, the EH72 Series provides an easy-to-install unit that performs the same function for less material and labor cost. The EH72 also reduces the number of threaded connections, resulting in fewer potential leak points.

### Product Availability

All valves are available with integral hard seats, 316-NACE stainless steel body and trim and Teflon or Graphite packing.

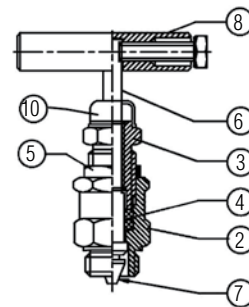
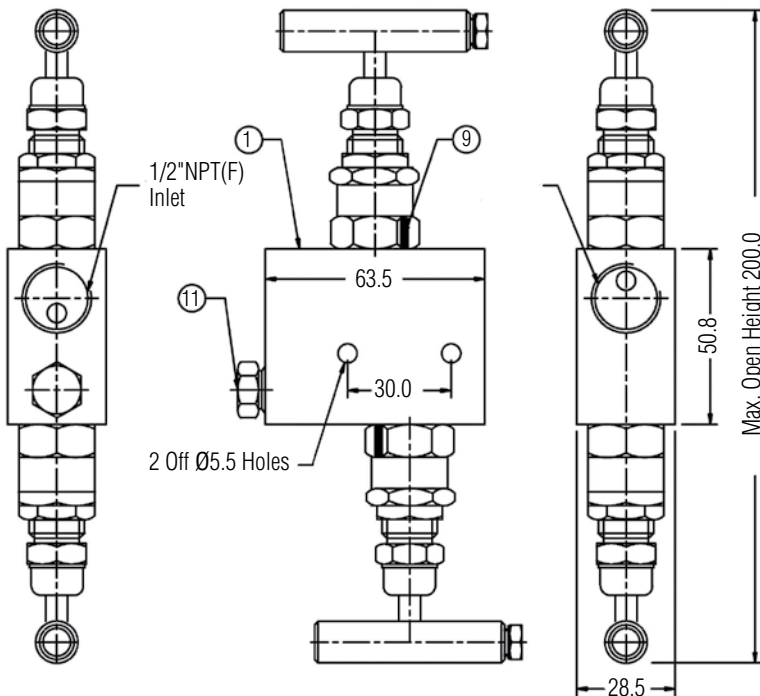
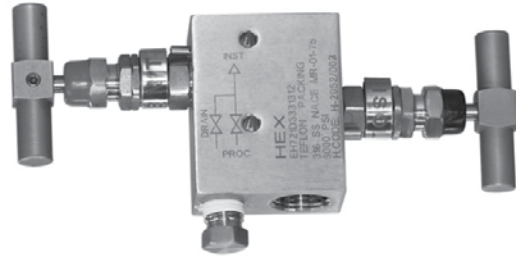
Hastelloy C, Monel models (see order grid) available upon request.

### Ratings

Stainless Steel with TFE Packing:

6000 psig @ 100°F (414 bar @ 38°C)

4200 psig @ 400°F (290 bar @ 204°C)



No.	Description	Material	Qty
1	Body	SS316/SS316 NACE	1
2	Gland Body	SS316/SS316 NACE	2
3	Gland Retainer	SS304	2
4	Gland Seal	PTFE	4
5	Check Nut	SS304	2
6	Spindle	SS316/SS316 NACE	2
7	Trim	SS316/SS316 NACE	2
8	Handle	SS304	2
9	Washer	SS	2
10	Lock Pin	SS304	2
11	Dust Cap	PVC	2
12	1/4\" NPT Drain Plug	SS316/SS316 NACE	1

Note: Other materials and options available.



MODEL	BODY CONFIG.	BODY MAT'L	INLET SIZE	INLET TYPE	OUTLET SIZE	OUTLET TYPE	STEM/TIP	SEAT MAT'L	PACKING
EH72	1	D	3	3	9	9	3	1	2

MODEL	TYPE
EH72	Standard

10	OUTLET TYPE
1	FNPT
7	MNPT*

5	BODY
1	Hard Seat

11	STEM/TIP
3	316-NACE/316-NACE
B	Monel/Monel
D	Hastelloy C/Hastelloy C

6	BODY MATERIAL
D	316SS-NACE
H	Hastelloy C
M	Monel

12	SEAT MATERIAL
1	Integral Seat

7	INLET SIZE
3	1/2"

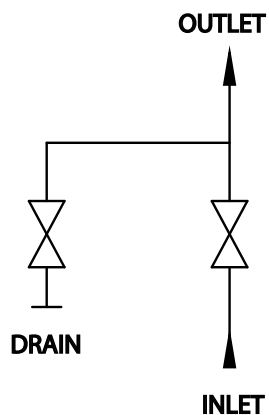
13	PACKING
2	TFE
3	Graphite

8	INLET TYPE
3	FNPT
1	MNPT*

9	OUTLET SIZE
3	1/2"

\*Consult factory for MNPT Dimensions

## Flow Schematic



## Guage Pressure Manifold Valves - EH74

### TWO VALVE MANIFOLD: DIRECT MOUNT

The EH74 offers the same function as the EM50 but in a more compact, lighter weight package for your flanged gauge pressure transmitter installations. The EH74 is made from barstock with a 1/2" FNPT inlet connection and a single instrument flange outlet. Like it's three valve barstock cousin the EM53, this lighter weight valve is an ideal candidate for use on weight sensitive offshore production platforms, or FPSO installations.

### Product Availability

All valves are available with integral hard seats, 316-NACE stainless steel body and trim and Teflon or Graphite packing.

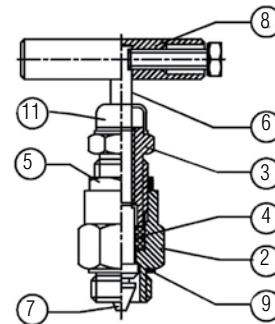
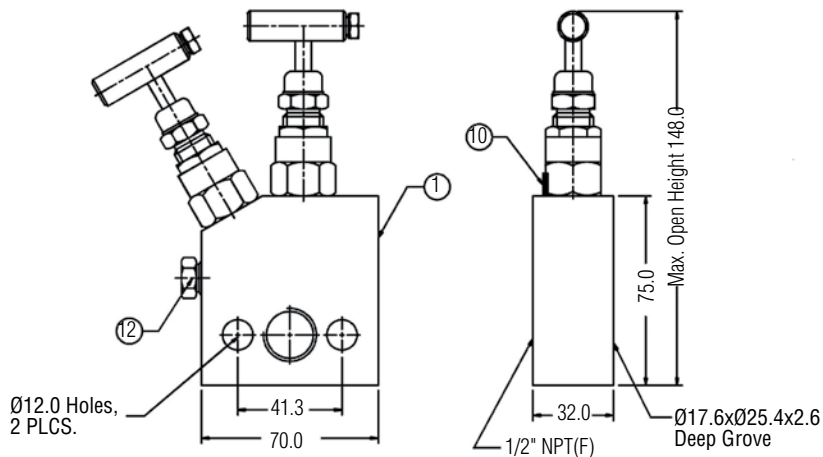
Hastelloy C, Monel models (see order grid) available upon request.

### Ratings

Stainless Steel with TFE Packing:

6000 psig @ 100°F (414 bar @ 38°C)

4200 psig @ 400°F (290 bar @ 204°C)



No.	Description	Material	Qty
1	Body	SS316/SS316 NACE	1
2	Gland Body	SS316/SS316 NACE	2
3	Gland Retainer	SS304	2
4	Gland Seal	PTFE	4
5	Check Nut	SS304	2
6	Spindle	SS316/SS316 NACE	2
7	Trim	SS316/SS316 NACE	2
8	Handle	SS304	2
9	Washer	SS	2
10	Lock Pin	SS304	2
11	Dust Cap	PVC	2
12	1/4" NPT Drain Plug	SS316/SS316 NACE	1

Note: Other materials and options available

MODEL	BODY CONFIG.	BODY MAT'L	INLET SIZE	INLET TYPE	OUTLET SIZE	OUTLET TYPE	STEM/TIP	SEAT MAT'L	PACKING
EH74	1	D	3	3	9	9	3	1	2

MODEL	TYPE
EH74	Standard

10	OUTLET TYPE
9	Flanged

5	BODY
1	Hard Seat

11	STEM/TIP
3	316-NACE/316-NACE
B	Monel/Monel
D	Hastelloy C/Hastelloy C

6	BODY MATERIAL
D	316SS-NACE
H	Hastelloy C
M	Monel

12	SEAT MATERIAL
1	Integral Seat

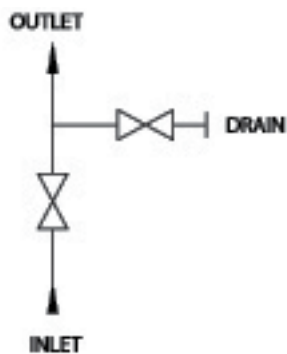
7	INLET SIZE
3	1/2"

13	PACKING
2	TFE
3	Graphite

8	INLET TYPE
3	FNPT

9	OUTLET SIZE
9	Flanged

## Flow Schematic



## Gauge Pressure Manifold Valves - EH79

### TWO VALVE MANIFOLD: DIRECT MOUNT

The EH79 offers the same function as the EM50 but in a more compact, lighter weight package for your flanged gauge pressure transmitter installations. The EH79 is made from barstock with a 1/2" FNPT inlet connection and a single instrument flange outlet. Like it's three valve barstock cousin the EM53, this lighter weight valve is an ideal candidate for use on weight sensitive offshore production platforms, or FPSO installations.

### Product Availability

All valves are available with integral hard seats, 316-NACE stainless steel body and trim and Teflon or Graphite packing.

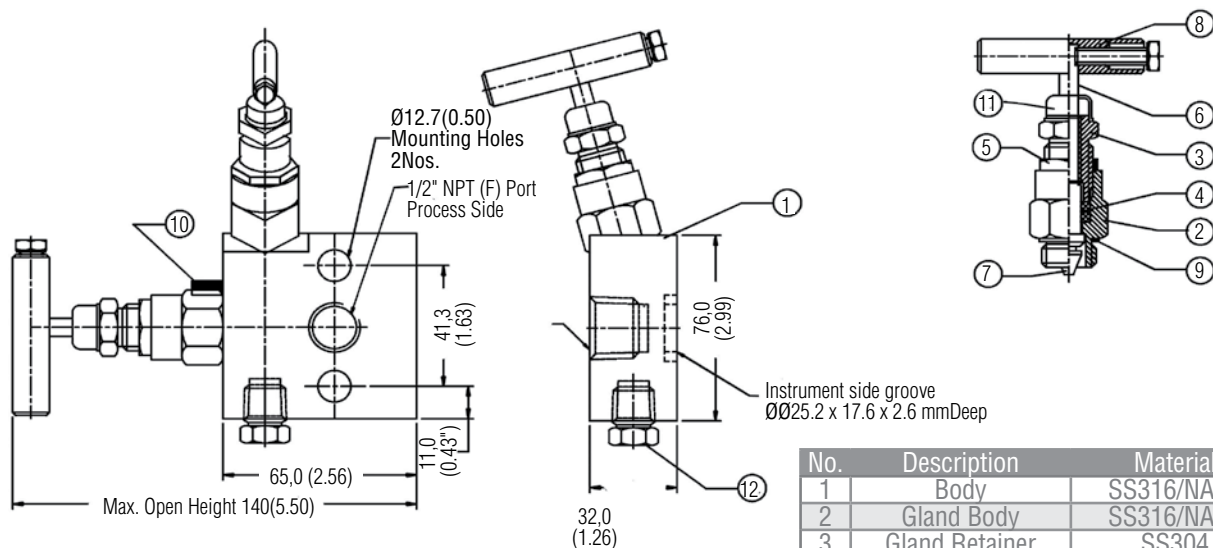
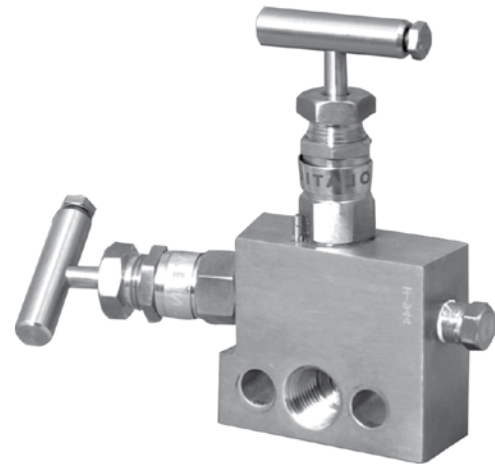
Hastelloy C, Monel models (see order grid) available upon request.

### Ratings

Stainless Steel with TFE Packing:

6000 psig @ 100°F (414 bar @ 38°C)

4200 psig @ 400°F (290 bar @ 204°C)



No.	Description	Material	Qty
1	Body	SS316/NACE	1
2	Gland Body	SS316/NACE	1
3	Gland Retainer	SS304	2
4	Gland Seal	PTFE	4
5	Check Nut	SS304	2
6	Spindle	SS316/NACE	2
7	Trim	SS316/NACE	2
8	Handle	SS304	2
9	Washer	SS	2
10	Lock Pin	SS304	2
11	Dust Cap	PVC	2
12	1/4" NPT Drain Plug	SS316/NACE	1

Note: Other materials and options available

MODEL	BODY CONFIG.	BODY MAT'L	INLET SIZE	INLET TYPE	OUTLET SIZE	OUTLET TYPE	STEM/TIP	SEAT MAT'L	PACKING
EH79	1	D	3	3	9	9	3	1	2

MODEL	TYPE
EH79	Standard

10	OUTLET TYPE
9	Flanged

5	BODY
1	Hard Seat

11	STEM/TIP
3	316-NACE/316-NACE
B	Monel/Monel
D	Hastelloy C/Hastelloy C

6	BODY MATERIAL
D	316SS-NACE
H	Hastelloy C
M	Monel

12	SEAT MATERIAL
1	Integral Seat

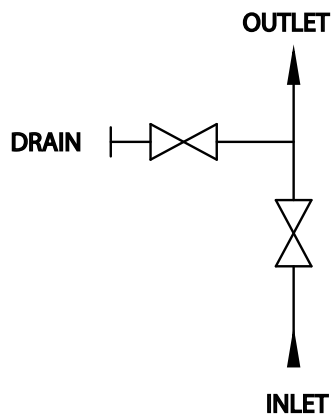
7	INLET SIZE
3	1/2"

13	PACKING
2	TFE
3	Graphite

8	INLET TYPE
3	FNPT

9	OUTLET SIZE
9	Flanged

## Flow Schematic



## Differential Pressure Manifold Valves - EM53

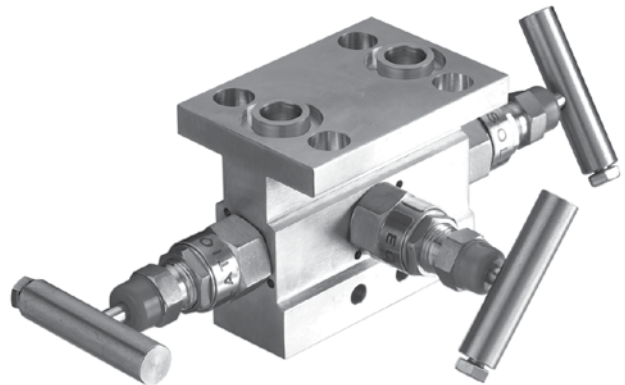
### THREE VALVE MANIFOLD: DIRECT MOUNT

The EM53 is a three valve instrument manifold used to perform the block, equalizing and vent requirements of differential pressure transmitter applications. The EM53 has a single mounting flange allowing the transmitter to bolt directly to the manifold. A mounting kit may also be specified to allow for manifold installation to a pipe stand.

### Product Availability

All valves are available with integral hard seats, 316-NACE stainless steel body and trim and Teflon or Graphite packing.

Hastelloy C, Monel models (see order grid) available upon request.

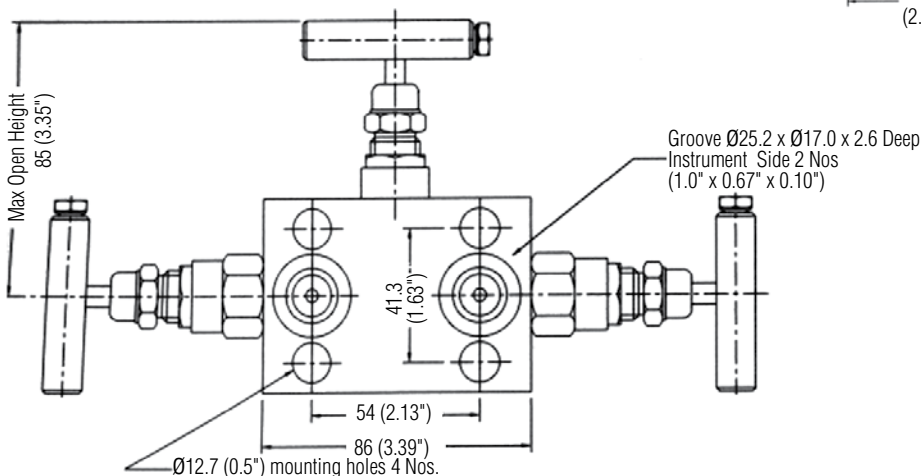
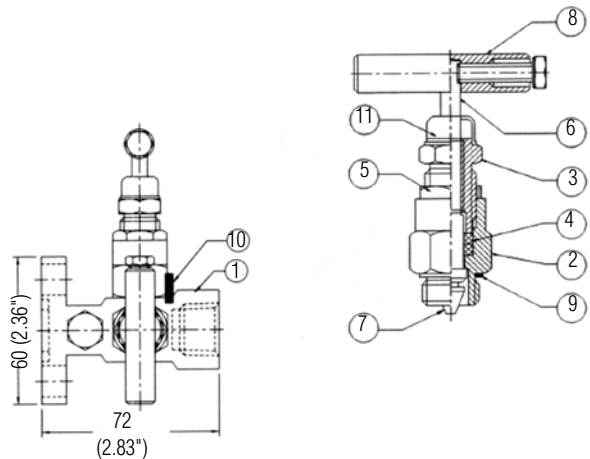
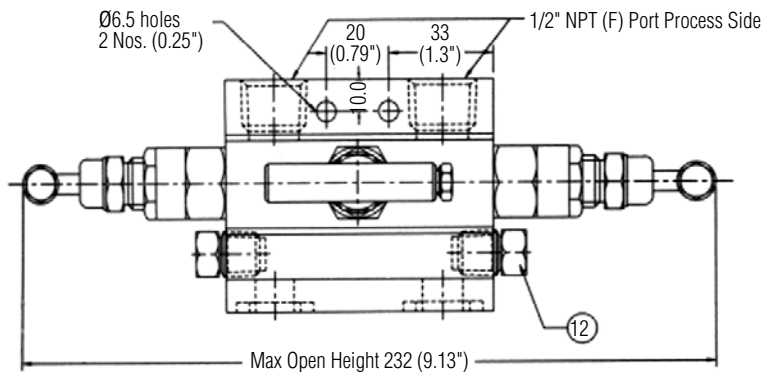


### Ratings

Stainless Steel with TFE Packing:

6000 psig @ 100°F (414 bar @ 38°C)

4200 psig @ 400°F (290 bar @ 204°C)



No.	Description	Material	Qty
1	Body	SS316/NACE	1
2	Gland Body	SS316/NACE	3
3	Gland Retainer	SS304	3
4	Gland Seal	PTFE	6
5	Check Nut	SS304	3
6	Spindle	SS316/NACE	3
7	Trim	SS316/NACE	3
8	Handle	SS304	3
9	Washer	SS	3
10	Lock Pin	SS304	3
11	Dust Cap	PVC	3
12	Drain Plug 1/4" NPT	SS316	2

Note: Other materials and options available

MODEL	BODY CONFIG.	BODY MAT'L	INLET SIZE	INLET TYPE	OUTLET SIZE	OUTLET TYPE	STEM/TIP	SEAT MAT'L	PACKING
EM53	1	D	3	3	9	9	3	1	2

MODEL	TYPE
EM53	Standard

10	OUTLET TYPE
9	Flanged

5	BODY
1	Hard Seat

11	STEM/TIP
3	316-NACE/316-NACE
B	Monel/Monel
D	Hastelloy C/Hastelloy C

6	BODY MATERIAL
D	316SS-NACE
H	Hastelloy C
M	Monel

12	SEAT MATERIAL
1	Integral Seat

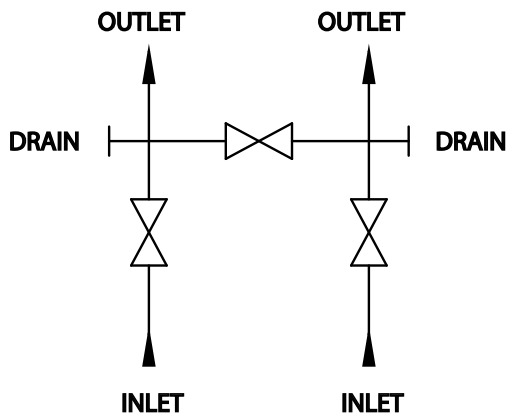
7	INLET SIZE
3	1/2"

13	PACKING
2	TFE
3	Graphite

8	INLET TYPE
3	FNPT

9	OUTLET SIZE
9	Flanged

## Flow Schematic



## Differential Pressure Manifold Valves - EM54

### THREE VALVE MANIFOLD: DIRECT MOUNT (DOUBLE FLANGED)

The EM54 is a double flanged instrument manifold that is used to perform the block, equalizing and vent requirements of differential pressure transmitters. For compact, close-coupled installations, the manifold bolts directly to the instrument and can be mated directly to the orifice flange using futbol flanges and short nipples. For remote installation, flange adaptors (futbols) can be used, making the installation similar to the EM53.

### Product Availability

All valves are available with integral hard seats, 316-NACE stainless steel body and trim and Teflon or Graphite packing.

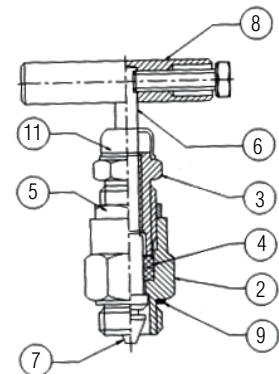
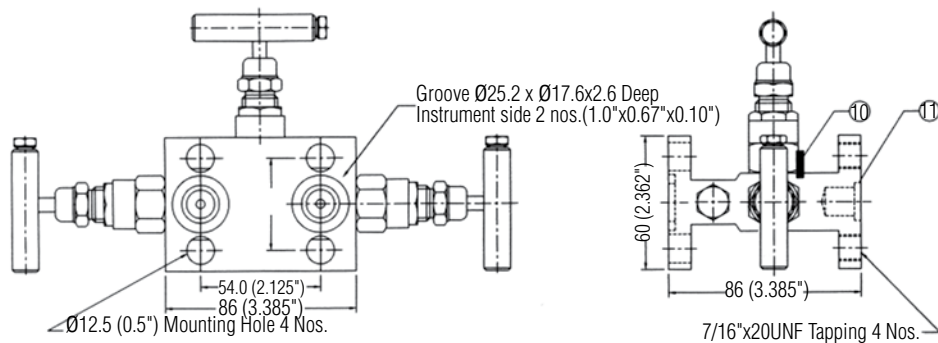
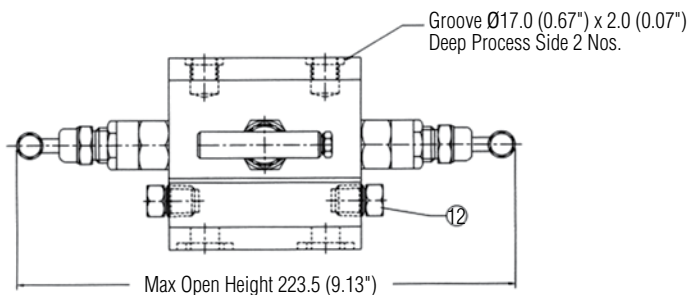
Hastelloy C, Monel models (see order grid) available upon request.

### Ratings

Stainless Steel with TFE Packing:

6000 psig @ 100°F (414 bar @ 38°C)

4200 psig @ 400°F (290 bar @ 204°C)



No.	Description	Material	Qty
1	Body	SS316/NACE	1
2	Gland Body	SS316/NACE	3
3	Gland Retainer	SS304	3
4	Gland Seal	PTFE	6
5	Check Nut	SS304	3
6	Spindle	SS316/NACE	3
7	Trim	SS316/NACE	3
8	Handle	SS304	3
9	Washer	SS	3
10	Lock Pin	SS304	3
11	Dust Cap	PVC	3
12	Drain Plug 1/4" NPT	SS316/NACE	3

Note: Other materials and options available



MODEL	BODY CONFIG.	BODY MAT'L	INLET SIZE	INLET TYPE	OUTLET SIZE	OUTLET TYPE	STEM/TIP	SEAT MAT'L	PACKING
EM54	1	D	9	9	9	9	3	1	2

MODEL	TYPE
EM54	Standard

10	OUTLET TYPE
9	Flanged

5	BODY
1	Hard Seat

11	STEM/TIP
3	316-Nace/316-NACE
B	Monel/Monel
D	Hastelloy C/Hastelloy C

6	BODY MATERIAL
D	316SS-NACE
H	Hastelloy C
M	Monel

12	SEAT MATERIAL
1	Integral Seat

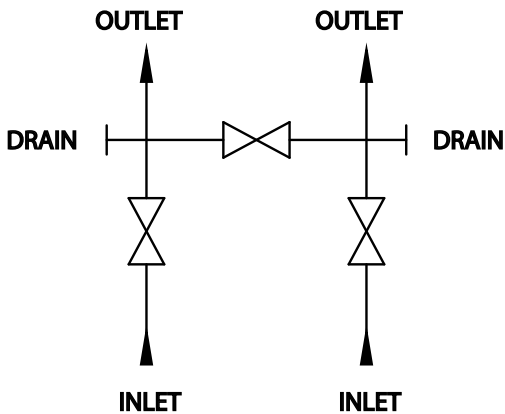
7	INLET SIZE
9	Flanged

13	PACKING
2	TFE
3	Graphite

8	INLET TYPE
9	Flanged

9	OUTLET SIZE
9	Flanged

## Flow Schematic



## Differential Pressure Manifold Valves - EM45

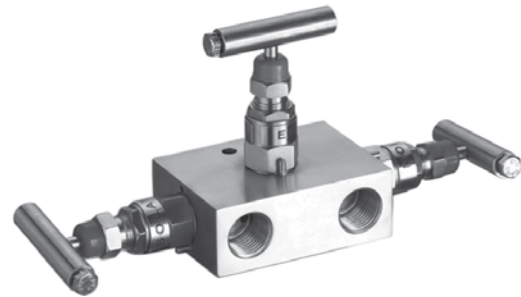
### THREE VALVE MANIFOLD: REMOTE MOUNT, THREADED

The EM45 is a general purpose instrument manifold designed for connecting differential pressure transmitters or flow recorders to impulse line tubing. Connections are 1/2" FNPT on industry standard 2-1/8" (54mm) center-to-center dimensions.

### Product Availability

All valves are available with integral hard seats, 316-NACE stainless steel body and trim and Teflon or Graphite packing.

Hastelloy C, Monel models (see order grid) available upon request.

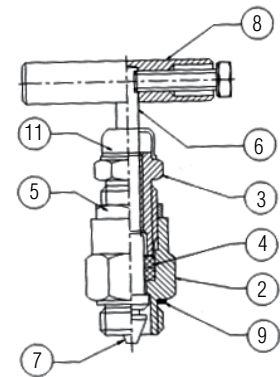
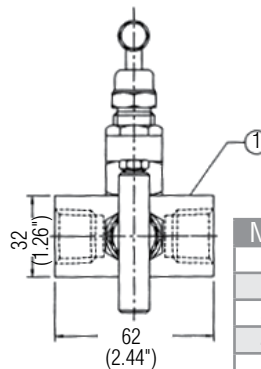
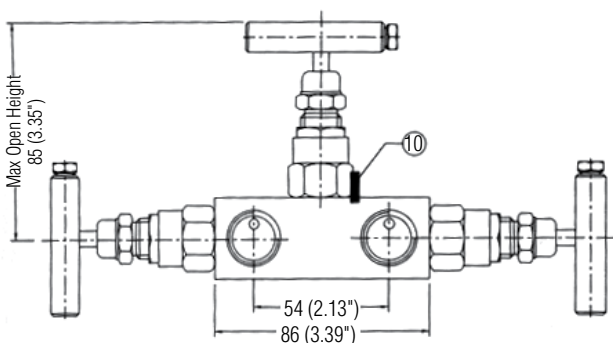
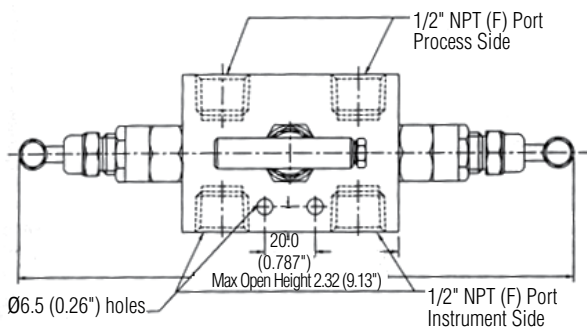


### Ratings

Stainless Steel with TFE Packing:

6000 psig @ 100°F (414 bar @ 38°C)

4200 psig @ 400°F (290 bar @ 204°C)



No.	Description	Material	Qty
1	Body	SS316/NACE	1
2	Gland Body	SS316/NACE	3
3	Gland Retainer	SS304	3
4	Gland Seal	PTFE	6
5	Check Nut	SS304	3
6	Spindle	SS316/NACE	3
7	Trim	SS316/NACE	3
8	Handle	SS304	3
9	Washer	SS	3
10	Lock Pin	SS304	3
11	Dust Cap	PVC	3

Note: Other materials and options available

MODEL	BODY CONFIG.	BODY MAT'L	INLET SIZE	INLET TYPE	OUTLET SIZE	OUTLET TYPE	STEM/TIP	SEAT MAT'L	PACKING
EM45	1	D	3	3	3	1	3	1	2

MODEL	TYPE
EM45	Standard

10	OUTLET TYPE
1	FNPT

5	BODY
1	Hard Seat

11	STEM/TIP
3	316-NACE/316-NACE
B	Monel/Monel
D	Hastelloy C/Hastelloy C

6	BODY MATERIAL
D	316SS-NACE
H	Hastelloy C
M	Monel

12	SEAT MATERIAL
1	Integral Seat

7	INLET SIZE
3	1/2"

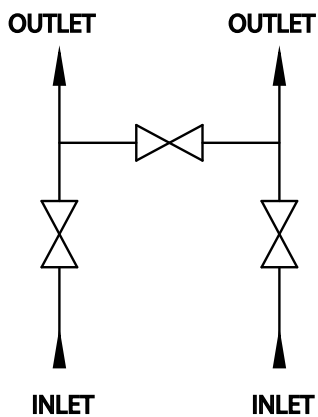
13	PACKING
2	TFE
3	Graphite

8	INLET TYPE
3	FNPT

Note: Inlet and Outlet must be same size

9	OUTLET SIZE
3	1/2"

## Flow Schematic



## Differential Pressure Manifold Valves - EH33

### THREE VALVE MANIFOLD: DIRECT MOUNT, BAR STOCK STYLE

The EH33 is a three valve instrument manifold used to perform the block and equalizing requirement of differential pressure transmitter applications. Of importance in this design, is the inclusion of a single mounting flange in its compact barstock construction. A mounting kit may also be specified to allow for installation to a pipe stand.

### Product Availability

All valves are available with integral hard seats, 316-NACE stainless steel body and trim and Teflon or Graphite packing.

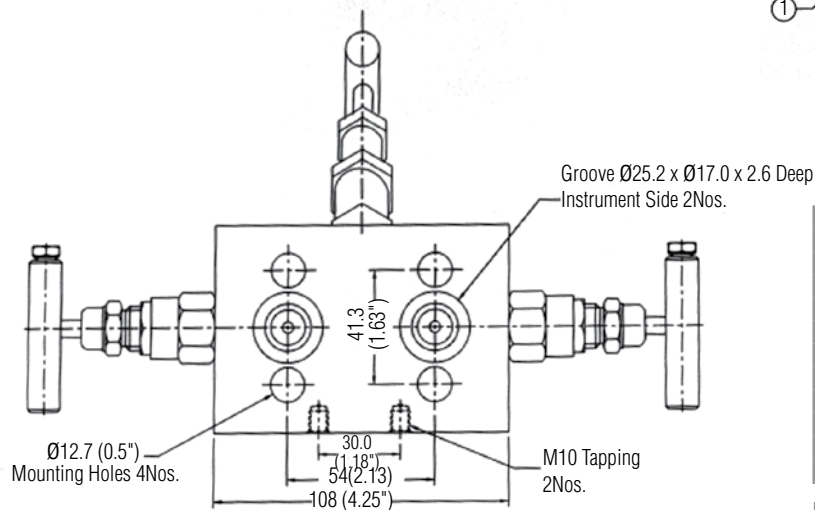
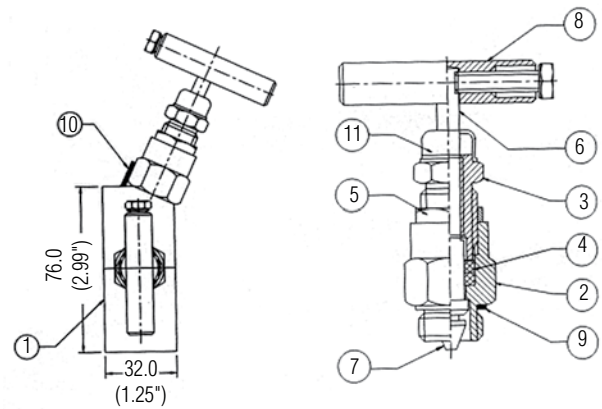
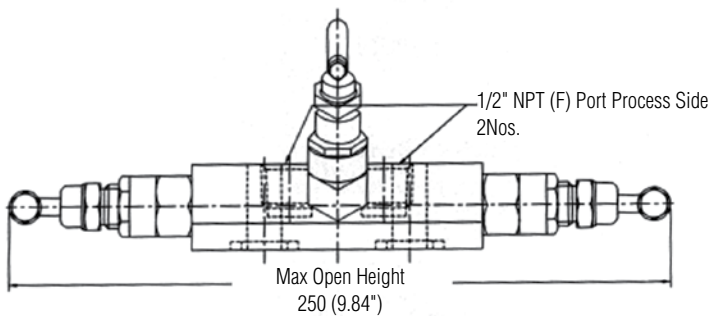
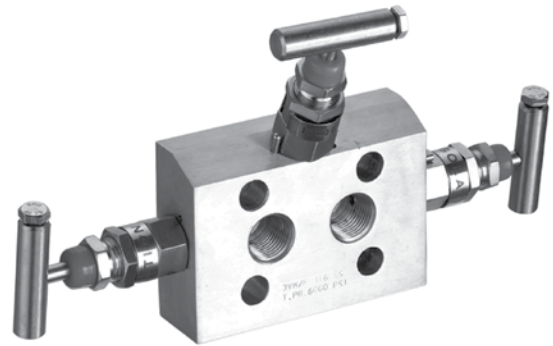
Hastelloy C, Monel models (see order grid) available upon request.

### Ratings

Stainless Steel with TFE Packing:

6000 psig @ 100°F (414 bar @ 38°C)

4200 psig @ 400°F (290 bar @ 204°C)



No.	Description	Material	Qty
1	Body	SS316/NACE	1
2	Gland Body	SS316/NACE	3
3	Gland Retainer	SS304	3
4	Gland Seal	PTFE	6
5	Check Nut	SS304	3
6	Spindle	SS316/NACE	3
7	Trim	SS316/NACE	3
8	Handle	SS304	3
9	Washer	SS	3
10	Lock Pin	SS304	3
11	Dust Cap	PVC	3

Note: Other materials and options available

MODEL	BODY CONFIG.	BODY MAT'L	INLET SIZE	INLET TYPE	OUTLET SIZE	OUTLET TYPE	STEM/TIP	SEAT MAT'L	PACKING
EH33	1	D	3	3	9	9	3	1	2

MODEL	TYPE
EH33	Standard

10	OUTLET TYPE
9	Flanged

5	BODY
1	Hard Seat

11	STEM/TIP
3	316-NACE/316-NACE
B	Monel/Monel
D	Hastelloy C/Hastelloy C

6	BODY MATERIAL
D	316SS-NACE
H	Hastelloy C
M	Monel

12	SEAT MATERIAL
1	Integral Seat

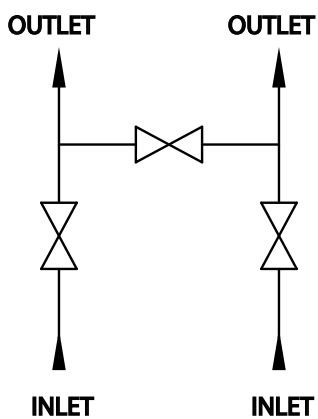
7	INLET SIZE
3	1/2"

13	PACKING
2	TFE
3	Graphite

8	INLET TYPE
3	FNPT

9	OUTLET SIZE
9	Flanged

## Flow Schematic



## Differential Pressure Manifold Valves - EH34

### THREE VALVE MANIFOLD: DIRECT MOUNT, BAR STOCK STYLE

The EH34 is a three valve instrument manifold used to perform the block and equalizing requirement of differential pressure transmitter applications. Of importance in this design, is the inclusion of a single mounting flange in its compact barstock construction. A mounting kit may also be specified to allow for installation to a pipe stand.

### Product Availability

All valves are available with integral hard seats, 316-NACE stainless steel body and trim and Teflon or Graphite packing.

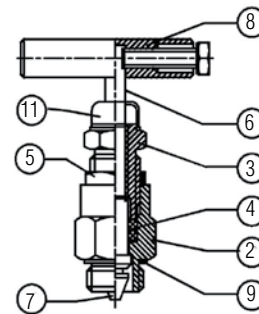
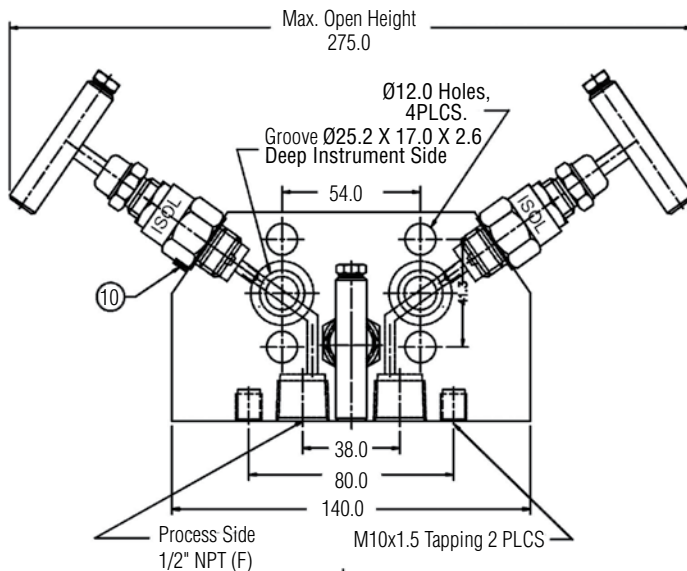
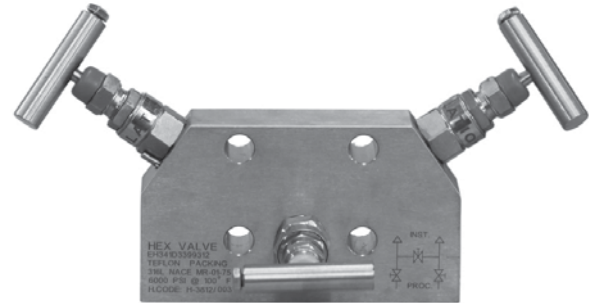
Hastelloy C, Monel models (see order grid) available upon request.

### Ratings

Stainless Steel with TFE Packing:

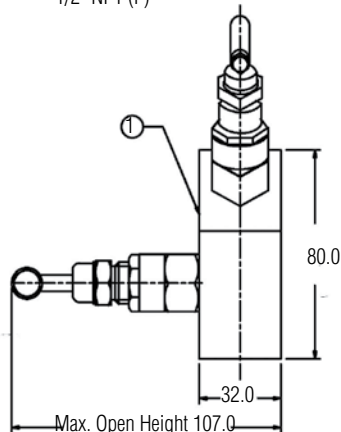
6000 psig @ 100°F (414 bar @ 38°C)

4200 psig @ 400°F (290 bar @ 204°C)



No.	Description	Material	Qty
1	Body	SS316/NACE	1
2	Gland Body	SS316/NACE	3
3	Gland Retainer	SS304	3
4	Gland Seal	PTFE	6
5	Check Nut	SS304	3
6	Spindle	SS316/NACE	3
7	Trim	SS316/NACE	3
8	Handle	SS304	3
9	Washer	SS	3
10	Lock Pin	SS304	3
11	Dust Cap	PVC	3

Note: Other materials and options available





MODEL	BODY CONFIG.	BODY MAT'L	INLET SIZE	INLET TYPE	OUTLET SIZE	OUTLET TYPE	STEM/TIP	SEAT MAT'L	PACKING
EH34	1	D	3	3	9	9	3	1	2

MODEL	TYPE
EH34	Standard

10	OUTLET TYPE
9	Flanged

5	BODY
1	Hard Seat

11	STEM/TIP
3	316-NACE/316-NACE
B	Monel/Monel
D	Hastelloy C/Hastelloy C

6	BODY MATERIAL
D	316SS-NACE
H	Hastelloy C
M	Monel

12	SEAT MATERIAL
1	Integral Seat

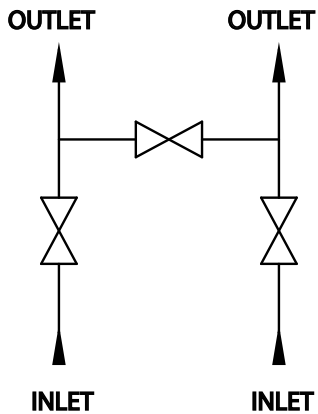
7	INLET SIZE
3	1/2"

13	PACKING
2	TFE
3	Graphite

8	INLET TYPE
3	FNPT

9	OUTLET SIZE
9	Flanged

## Flow Schematic



## Differential Pressure Manifold Valves - EH35

### THREE VALVE MANIFOLD: REMOTE MOUNT, THREADED

The EH35 is a general purpose instrument manifold designed for connecting differential pressure transmitters or flow recorders to impulse line tubing. Connections are 1/2" FNPT on industry standard 2-1/8" (54mm) center-to-center dimensions.

### Product Availability

All valves are available with integral hard seats, 316-NACE stainless steel body and trim and Teflon or Graphite packing.

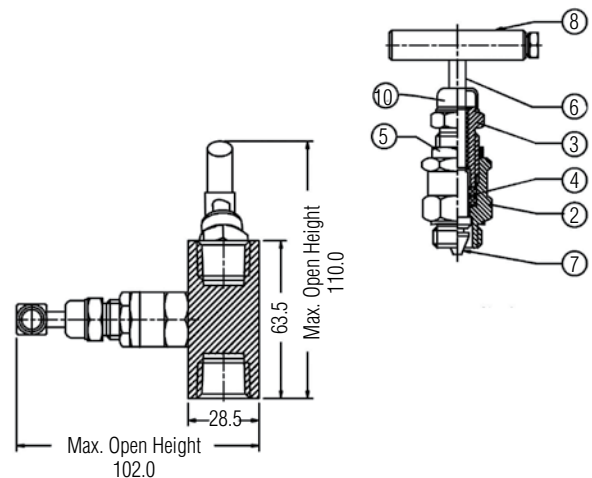
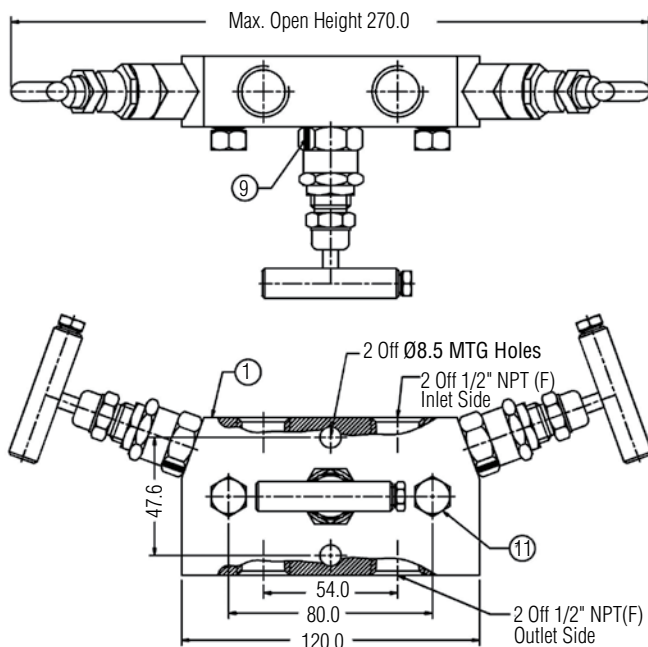
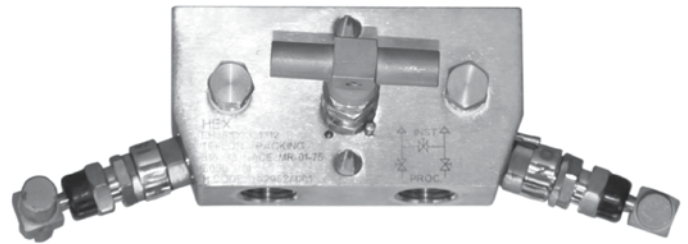
Hastelloy C, Monel models (see order grid) available upon request.

### Ratings

Stainless Steel with TFE Packing:

6000 psig @ 100°F (414 bar @ 38°C)

4200 psig @ 400°F (290 bar @ 204°C)



No.	Description	Material	Qty
1	Body	SS316/NACE	1
2	Gland Body	SS316/NACE	3
3	Gland Retainer	SS304	3
4	Gland Seal	PTFE	6
5	Check Nut	SS304	3
6	Spindle	SS316/NACE	3
7	Trim	SS316/NACE	3
8	Handle	SS304	3
9	Washer	SS	3
10	Lock Pin	SS304	3
11	Dust Cap	PVC	3

Note: Other materials and options available



MODEL	BODY CONFIG.	BODY MAT'L	INLET SIZE	INLET TYPE	OUTLET SIZE	OUTLET TYPE	STEM/TIP	SEAT MAT'L	PACKING
EH35	1	D	3	3	9	9	3	1	2

MODEL	TYPE
EH35	Standard

10	OUTLET TYPE
1	FNPT

5	BODY
1	Hard Seat

11	STEM/TIP
3	316-NACE/316-NACE
B	Monel/Monel
D	Hastelloy C/Hastelloy C

6	BODY MATERIAL
D	316SS-NACE
H	Hastelloy C
M	Monel

12	SEAT MATERIAL
1	Integral Seat

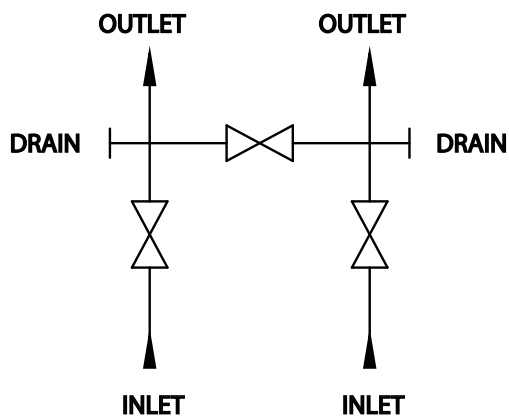
7	INLET SIZE
3	1/2"

13	PACKING
2	TFE
3	Graphite

8	INLET TYPE
3	FNPT

9	OUTLET SIZE
3	1/2"

## Flow Schematic



## Differential Pressure Manifold Valves - EM57

### FIVE VALVE MANIFOLD: REMOTE MOUNT DOUBLE EQUALIZER DESIGN

The EM57 five valve manifold combines two shutoff valves, two equalizing valves, and a vent/calibration valve into a single, compact assembly. The double equalizing arrangement insures against measurement error that can occur from equalizer leakage between high and low pressure connections, making the EM57 ideal for custody transfer applications.

When expensive liquid or gas changes ownership, precise measurement is critical. The smallest leakage from the high side of the manifold to the low side of the manifold can lead to lost revenue due to inaccurate measurement. Therefore, when dealing with custody transfer or other critical flows, a five valve manifold should be used to achieve more accurate measurement.

### Product Availability

All valves are available with integral hard seats, 316-NACE stainless steel body and trim and Teflon or Graphite packing.

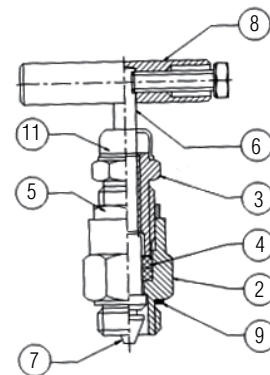
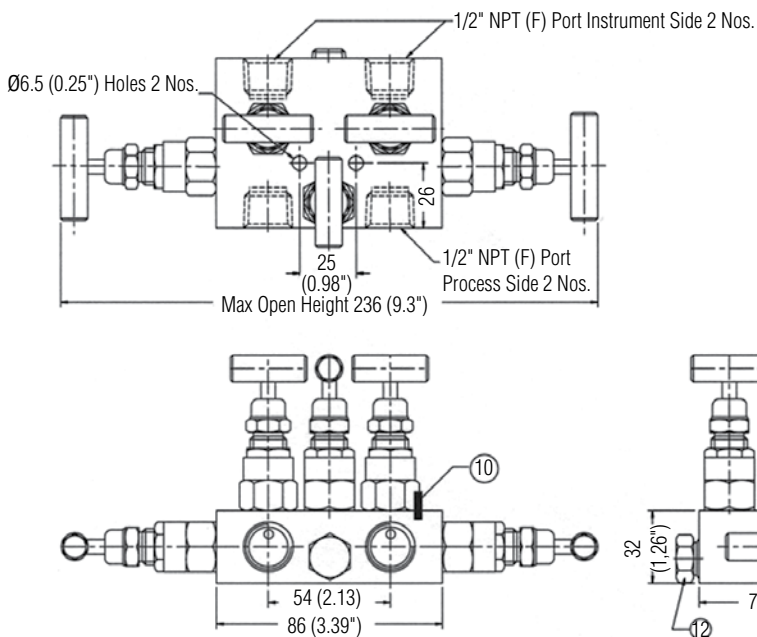
Hastelloy C, Monel models (see order grid) available upon request.

### Ratings

Stainless Steel with TFE Packing:

6000 psig @ 100°F (414 bar @ 38°C)

4200 psig @ 400°F (290 bar @ 204°C)



No.	Description	Material	Qty
1	Body	SS316/NACE	1
2	Gland Body	SS316/NACE	5
3	Gland Retainer	SS304	5
4	Gland Seal	PTFE	10
5	Check Nut	SS304	5
6	Spindle	SS316/NACE	5
7	Trim	SS316/NACE	5
8	Handle	SS304	5
9	Washer	SS	5
10	Lock Pin	SS304	5
11	Dust Cap	PVC	5
12	Drain Plug 1/4\" NPT	SS316/NACE	1

Note: Other materials and options available

MODEL	BODY CONFIG.	BODY MAT'L	INLET SIZE	INLET TYPE	OUTLET SIZE	OUTLET TYPE	STEM/TIP	SEAT MAT'L	PACKING
EM57	1	D	3	3	3	1	3	1	2

MODEL	TYPE
EM57	Standard

10	OUTLET TYPE
1	FNPT

5	BODY
1	Hard Seat

11	STEM/TIP
3	316-NACE/316-NACE
B	Monel/Monel
D	Hastelloy C/Hastelloy C

6	BODY MATERIAL
D	316SS-NACE
H	Hastelloy C
M	Monel

12	SEAT MATERIAL
1	Integral Seat

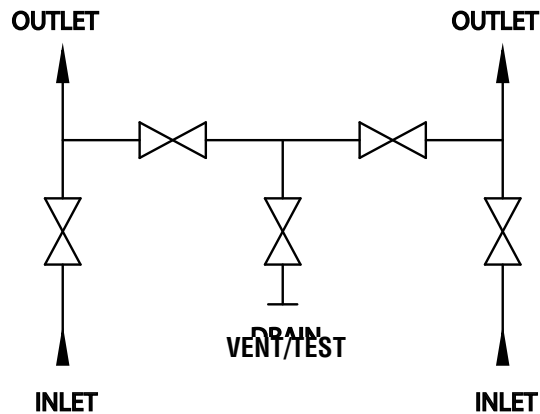
7	INLET SIZE
3	1/2"

13	PACKING
2	TFE
3	Graphite

8	INLET TYPE
3	FNPT

9	OUTLET SIZE
3	1/2"

## Flow Schematic



## Differential Pressure Manifold Valves - EM74

### FIVE VALVE MANIFOLD: REMOTE MOUNT SINGLE EQUALIZER DESIGN

The EM74 is similar to the EM57 but is designed with two vent valves and one equalizer.

The two vent valves can be used for transmitter calibration and venting. This can be a convenient feature if the transmitter is located in a difficult to access place.

### Product Availability

All valves are available with integral hard seats, 316-NACE stainless steel body and trim and Teflon or Graphite packing.

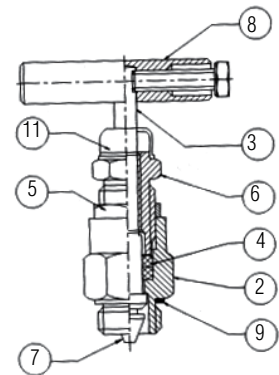
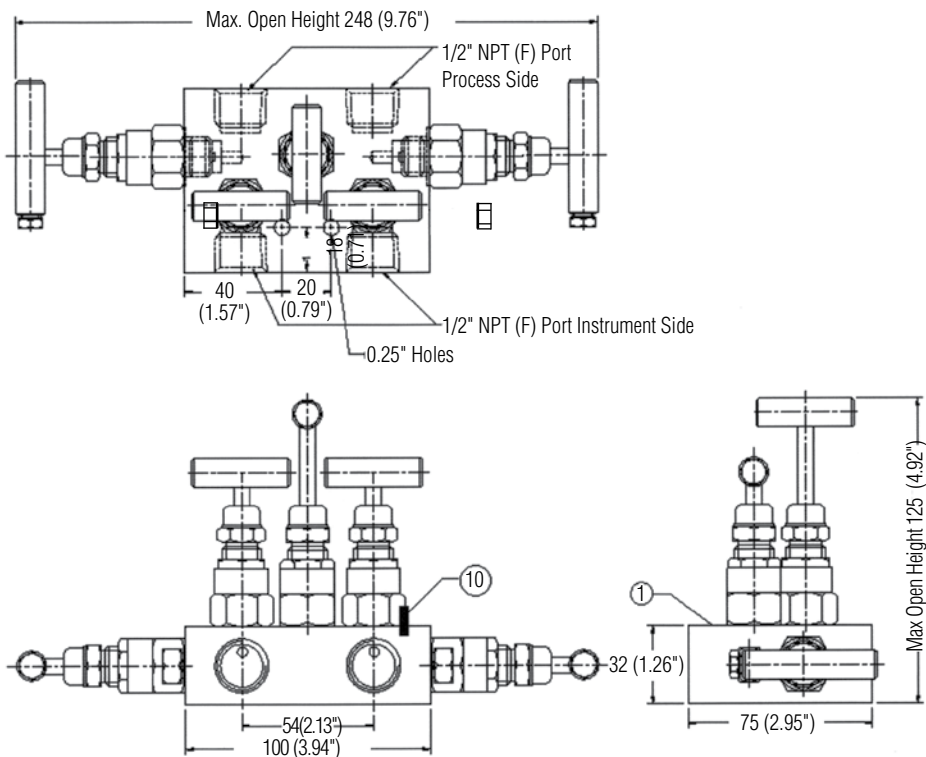
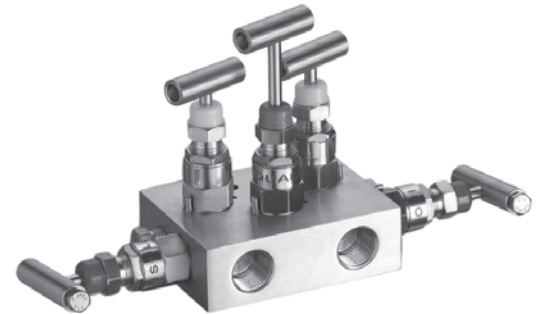
Hastelloy C, Monel models (see order grid) available upon request.

### Ratings

Stainless Steel with TFE Packing:

6000 psig @ 100°F (414 bar @ 38°C)

4200 psig @ 400°F (290 bar @ 204°C)



No.	Description	Material	Qty
1	Body	SS316/NACE	1
2	Gland Body	SS316/NACE	5
3	Gland Retainer	SS304	5
4	Gland Seal	PTFE	10
5	Check Nut	SS304	5
6	Spindle	SS316/NACE	5
7	Trim	SS316/NACE	5
8	Handle	SS304	5
9	Washer	SS	5
10	Lock Pin	SS304	5
11	Dust Cap	PVC	5
12	Drain Plug 1/4" NPT	SS316/NACE	2

Note: Other materials and options available

MODEL	BODY CONFIG.	BODY MAT'L	INLET SIZE	INLET TYPE	OUTLET SIZE	OUTLET TYPE	STEM/TIP	SEAT MAT'L	PACKING
EM74	1	D	3	3	3	1	3	1	2

MODEL	TYPE
EM74	Standard

10	OUTLET TYPE
1	FNPT

5	BODY
1	Hard Seat

11	STEM/TIP
3	316-NACE/316-NACE
B	Monel/Monel
D	Hastelloy C/Hastelloy C

6	BODY MATERIAL
D	316SS-NACE
H	Hastelloy C
M	Monel

12	SEAT MATERIAL
1	Integral Seat

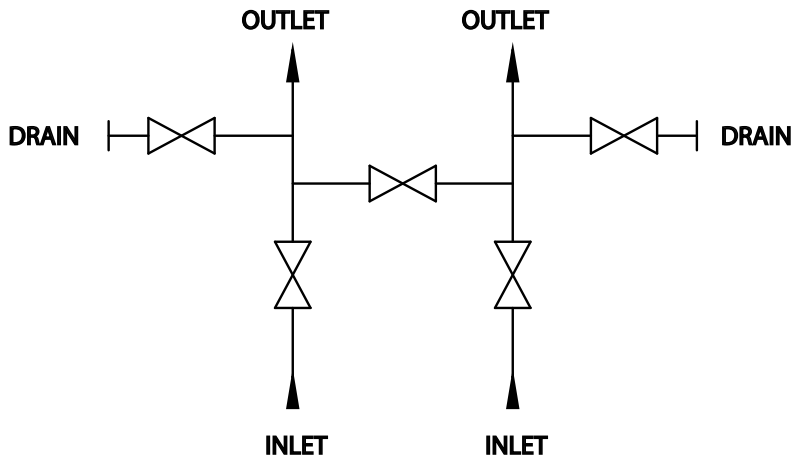
7	INLET SIZE
3	1/2"

13	PACKING
2	TFE
3	Graphite

8	INLET TYPE
3	FNPT

9	OUTLET SIZE
3	1/2"

## Flow Schematic



## Differential Pressure Manifold Valves -EH37

### FIVE VALVE MANIFOLD: BARSTOCK DIRECT MOUNT SINGLE EQUALIZER DESIGN

The EH37 is similar to the EM74 in function, but is designed for direct mounting to the transmitter with a threaded inlet and instrument flanged outlet. The unique, compact barstock design makes this an economical choice when a direct mount manifold with vent and calibration access is crucial.

### Product Availability

All valves are available with integral hard seats, 316-NACE stainless steel body and trim and Teflon or Graphite packing.

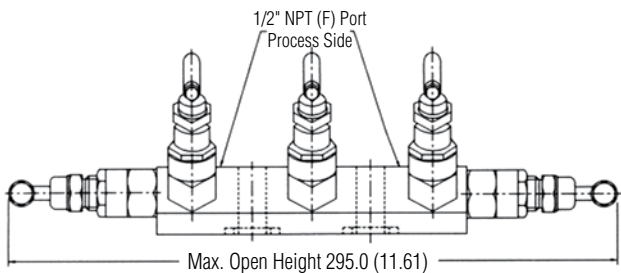
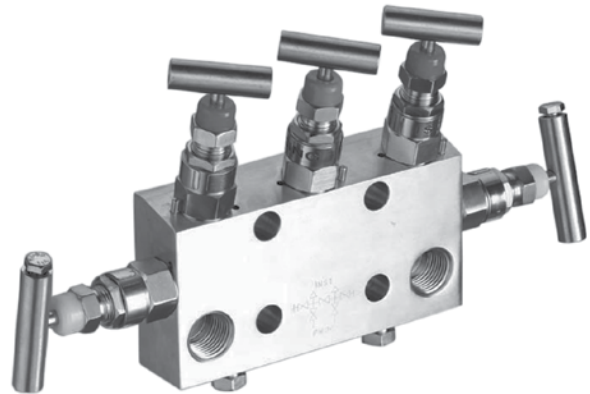
Hastelloy C, Monel models (see order grid) available upon request.

### Ratings

Stainless Steel with TFE Packing:

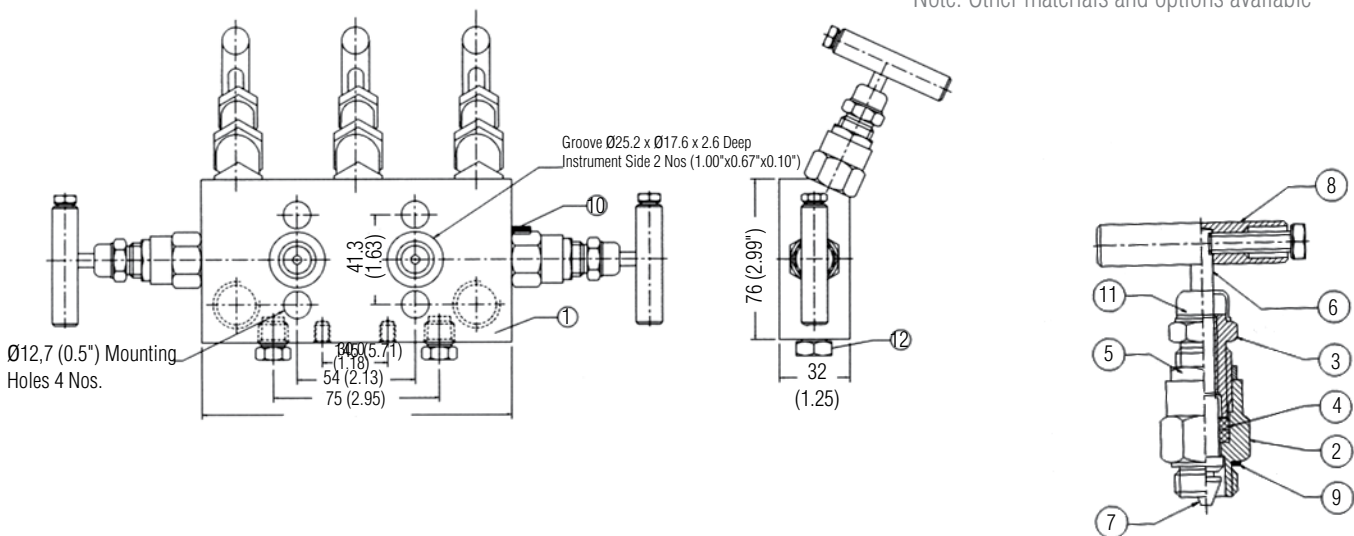
6000 psig @ 100°F (414 bar @ 38°C)

4200 psig @ 400°F (290 bar @ 204°C)



No.	Description	Material	Qty
1	Body	SS316/NACE	1
2	Gland Body	SS316/NACE	5
3	Gland Retainer	SS304	5
4	Gland Seal	PTFE	10
5	Check Nut	SS304	5
6	Spindle	SS316/NACE	5
7	Trim	SS316/NACE	5
8	Handle	SS304	5
9	Washer	SS	5
10	Lock Pin	SS304	5
11	Dust Cap	PVC	5
12	Drain Plug 1/4" NPT	SS316/NACE	2

Note: Other materials and options available



MODEL	BODY CONFIG.	BODY MAT'L	INLET SIZE	INLET TYPE	OUTLET SIZE	OUTLET TYPE	STEM/TIP	SEAT MAT'L	PACKING
EH37	1	D	3	3	9	9	3	1	2

MODEL	TYPE
EH37	Standard

10	OUTLET TYPE
9	Flanged

5	BODY
1	Hard Seat

11	STEM/TIP
3	316-NACE/316-NACE
B	Monel/Monel
D	Hastelloy C/Hastelloy C

6	BODY MATERIAL
D	316SS-NACE
H	Hastelloy C
M	Monel

12	SEAT MATERIAL
1	Integral Seat

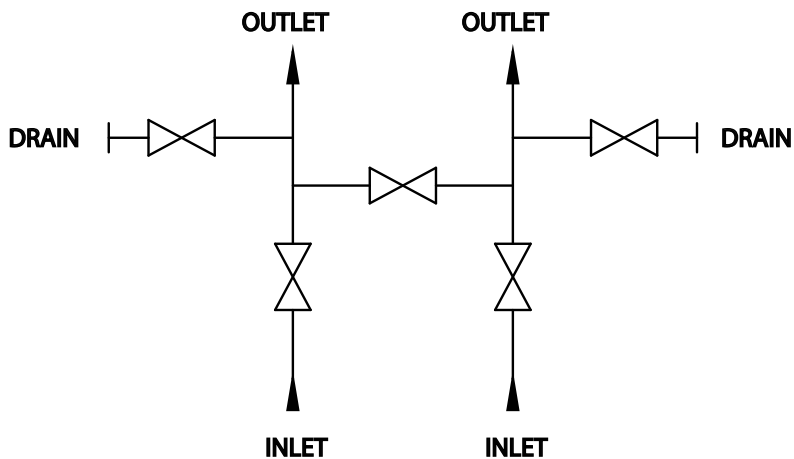
7	INLET SIZE
3	1/2"

13	PACKING
2	TFE
3	Graphite

8	INLET TYPE
3	FNPT

9	OUTLET SIZE
9	Flanged

## Flow Schematic



## Differential Pressure Manifold Valves - EH38

### FIVE VALVE MANIFOLD: BARSTOCK DIRECT MOUNT SINGLE EQUALIZER DESIGN

The EH38 is similar to the EM74 in function, but is designed for direct mounting to the transmitter with a threaded inlet and instrument flanged outlet. The unique, compact barstock design makes this an economical choice when a direct mount manifold with vent and calibration access is crucial.

#### Product Availability

All valves are available with integral hard seats, 316-NACE stainless steel body and trim and Teflon or Graphite packing.

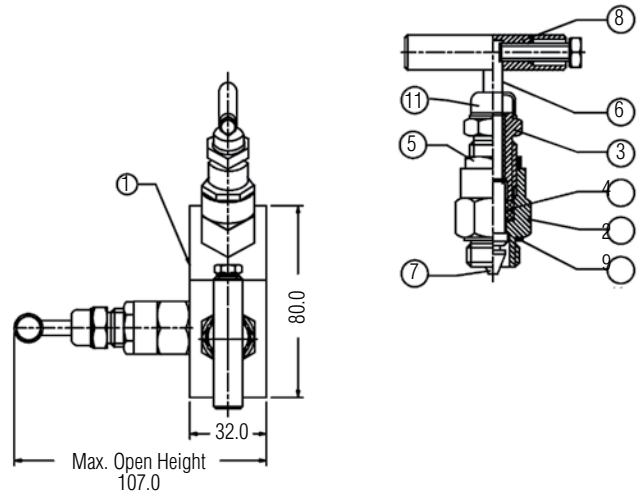
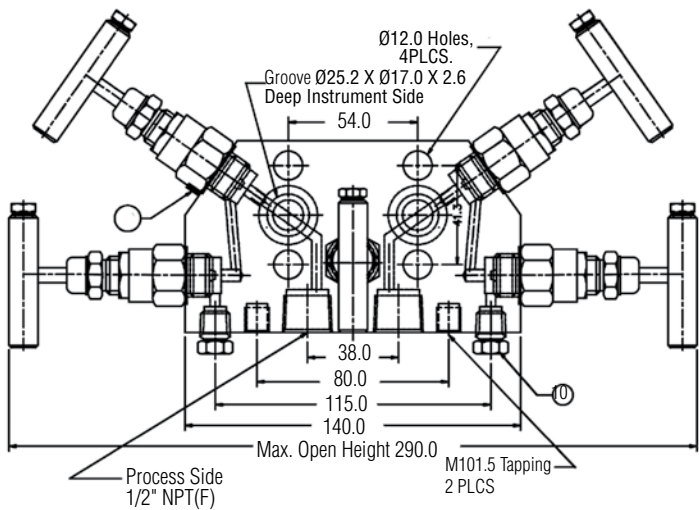
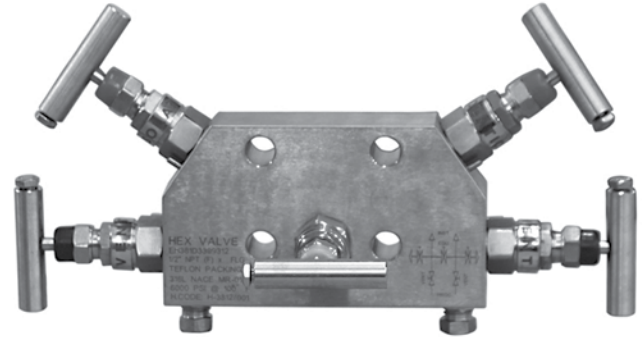
Hastelloy C, Monel models (see order grid) available upon request.

#### Ratings

Stainless Steel with TFE Packing:

6000 psig @ 100°F (414 bar @ 38°C)

4200 psig @ 400°F (290 bar @ 204°C)



No.	Description	Material	Qty
1	Body	SS316/NACE	1
2	Gland Body	SS316/NACE	3
3	Gland Retainer	SS304	3
4	Gland Seal	PTFE	6
5	Check Nut	SS304	3
6	Spindle	SS316/NACE	3
7	Trim	SS316/NACE	3
8	Handle	SS304	3
9	Washer	SS	3
10	Lock Pin	SS304	3
11	Dust Cap	PVC	3

Note: Other materials and options available



MODEL	BODY CONFIG.	BODY MAT'L	INLET SIZE	INLET TYPE	OUTLET SIZE	OUTLET TYPE	STEM/TIP	SEAT MAT'L	PACKING
EH38	1	D	3	3	9	9	3	1	2

MODEL	TYPE
EH38	Standard

10	OUTLET TYPE
9	Flanged

5	BODY
1	Hard Seat

11	STEM/TIP
3	316-NACE/316-NACE
B	Monel/Monel
D	Hastelloy C/Hastelloy C

6	BODY MATERIAL
D	316SS-NACE
H	Hastelloy C
M	Monel

12	SEAT MATERIAL
1	Integral Seat

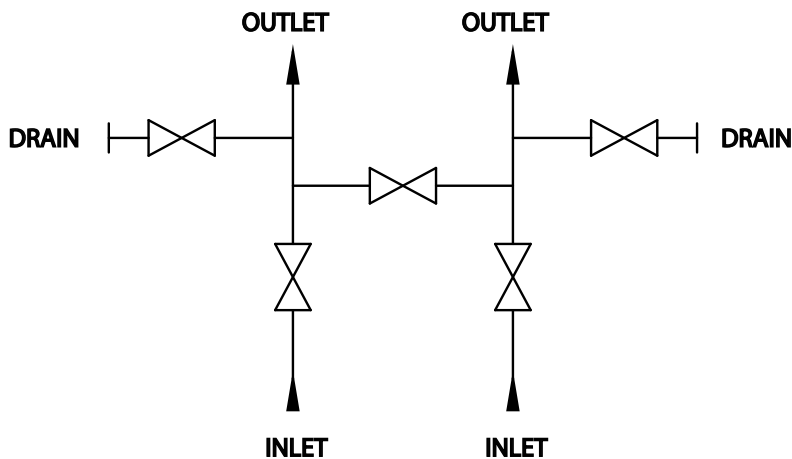
7	INLET SIZE
3	1/2"

13	PACKING
2	TFE
3	Graphite

8	INLET TYPE
3	FNPT

9	OUTLET SIZE
9	Flanged

## Flow Schematic



## Differential Pressure Manifold Valves - EH39

### FIVE VALVE MANIFOLD: BARSTOCK DIRECT MOUNT SINGLE EQUALIZER DESIGN

The EH39 is similar to the EM74 in function, but is designed for direct mounting to the transmitter with a threaded inlet and instrument flanged outlet. The unique, compact barstock design makes this an economical choice when a direct mount manifold with vent and calibration access is crucial.

### Product Availability

All valves are available with integral hard seats, 316-NACE stainless steel body and trim and Teflon or Graphite packing.

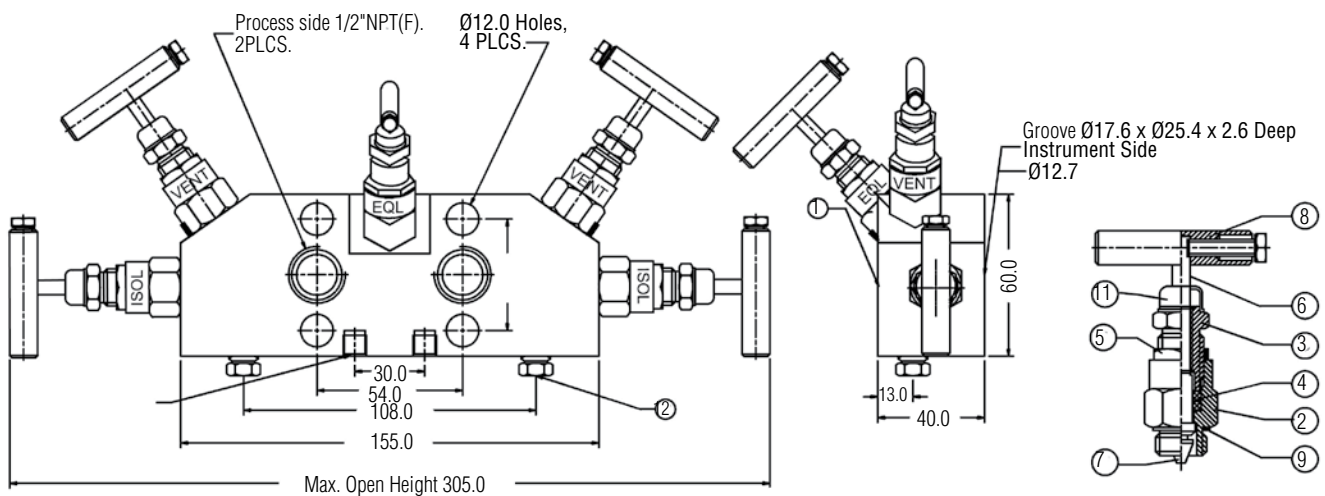
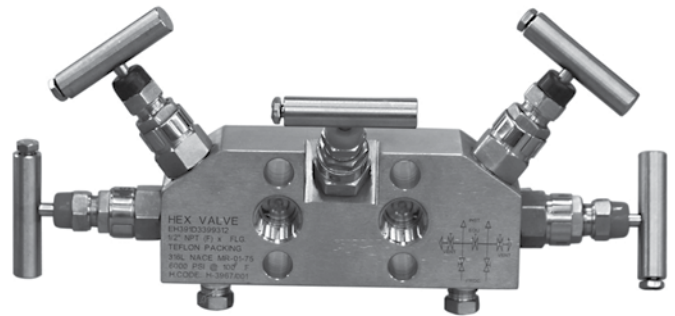
Hastelloy C, Monel models (see order grid) available upon request.

### Ratings

Stainless Steel with TFE Packing:

6000 psig @ 100°F (414 bar @ 38°C)

4200 psig @ 400°F (290 bar @ 204°C)



No.	Description	Material	Qty
1	Body	SS316/NACE	1
2	Gland Body	SS316/NACE	3
3	Gland Retainer	SS304	3
4	Gland Seal	PTFE	6
5	Check Nut	SS304	3
6	Spindle	SS316/NACE	3
7	Trim	SS316/NACE	3
8	Handle	SS304	3
9	Washer	SS	3
10	Lock Pin	SS304	3
11	Dust Cap	PVC	3

Note: Other materials and options available

MODEL	BODY CONFIG.	BODY MAT'L	INLET SIZE	INLET TYPE	OUTLET SIZE	OUTLET TYPE	STEM/TIP	SEAT MAT'L	PACKING
EH39	1	D	3	3	9	9	3	1	2

MODEL	TYPE
EH39	Standard

10	OUTLET TYPE
9	Flanged

5	BODY
1	Hard Seat

11	STEM/TIP
3	316-NACE/316-NACE
B	Monel/Monel
D	Hastelloy C/Hastelloy C

6	BODY MATERIAL
D	316SS-NACE
H	Hastelloy C
M	Monel

12	SEAT MATERIAL
1	Integral Seat

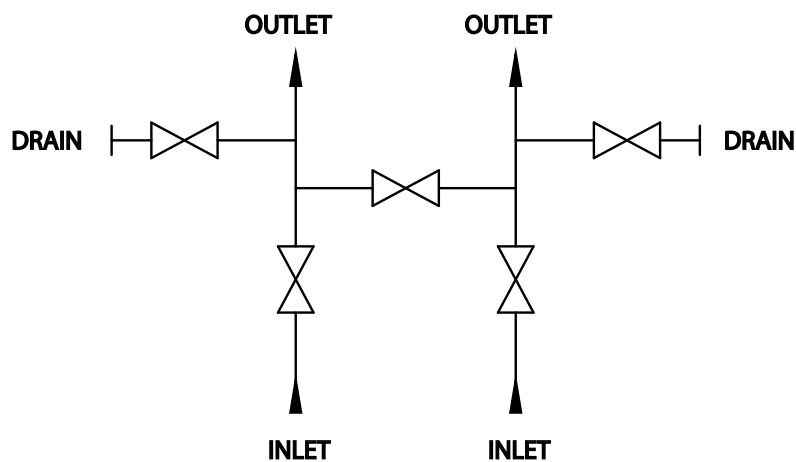
7	INLET SIZE
3	1/2"

13	PACKING
2	TFE
3	Graphite

8	INLET TYPE
3	FNPT

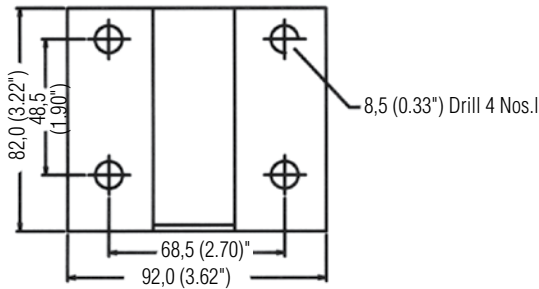
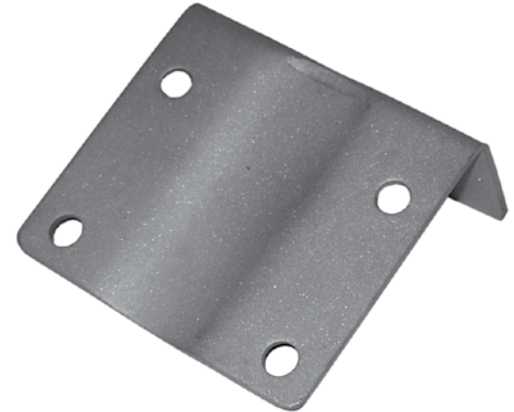
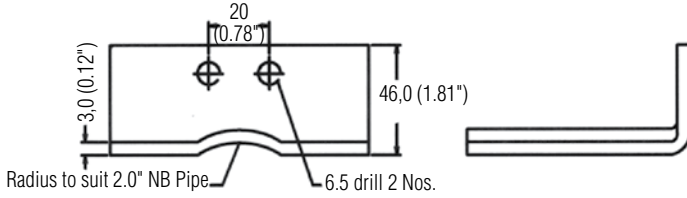
9	OUTLET SIZE
9	Flanged

## Flow Schematic

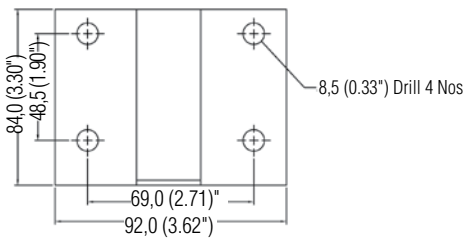
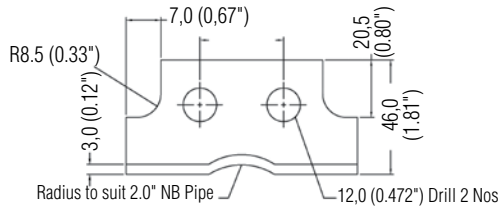


## Manifold Mounting Brackets

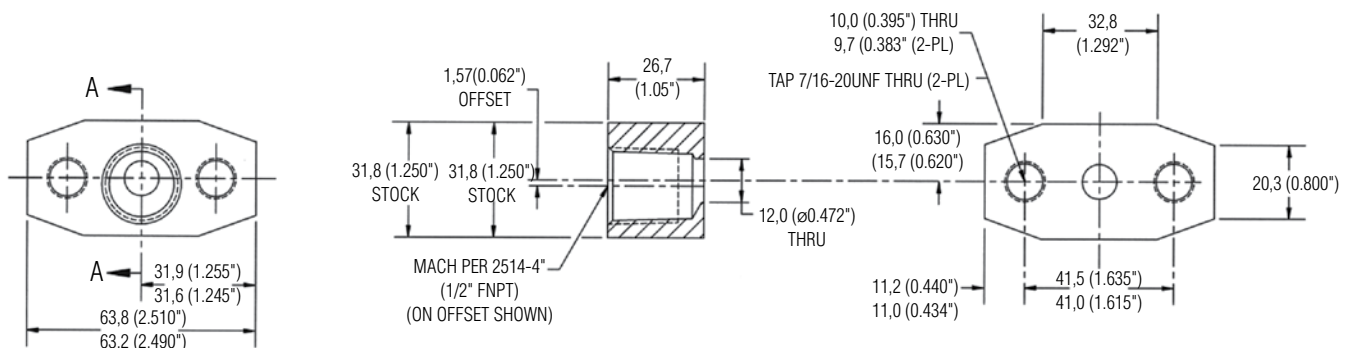
**MB001 - 316SS MOUNTING BRACKET FOR MODELS EM53, EM45 & EM74; INCLUDES 2 SS U-BOLTS & FASTENERS**



**MB002 - 316SS MOUNTING BRACKET FOR MODELS EH37; INCLUDES 2 SS U-BOLTS & FASTENERS**



## OVAL FLANGE ADAPTOR — 10007-030-147



### SECTION A-A