



MODEL MMC00

DOWNFLOW TOP PLATE ASSEMBLY FLOWMETER

DESCRIPTION

Fabricated epoxy-coated steel top plate assembly, drilled to match ANSI B16.5 150 PSI standard steel flanges with stainless steel drop pipe to be used with Customer-supplied cast iron Tee is supplied with: brass bearing housing, stainless steel bearings, polypropylene impeller, straightening vanes, magnetic drive, instantaneous flow indicator and straight reading six-digit totalizer.

Impellers are manufactured of high-impact plastic, capable of retaining their shape and accuracy over the life of the meter. Each impeller is individually calibrated at the factory to accommodate the use of any standard McCrometer register, and since no change gears are used, the MMC00 can be field-serviced without the need for factory recalibration. Factory lubricated, stainless steel bearings are used to support the impeller shaft.

The sealed bearing design limits the entry of materials and fluids into the bearing chamber providing maximum bearing protection.

The instantaneous flowrate indicator is standard and available in gallons per minute, cubic feet per second, liters per second and other units. The register is driven by a flexible steel cable encased within a protective vinyl liner. The register housing protects both the register and cable drive system from moisture while allowing clear reading of the flowrate indicator and totalizer.

INSTALLATION

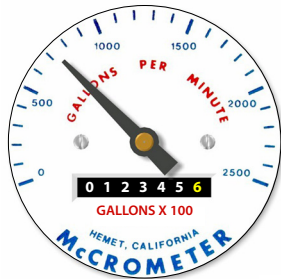
Meter may be mounted in any convenient position compatible with the balance of the system, as long as full pipeline is assured.

The Mc Propeller flow meter comes with a standard instantaneous flowrate indicator and straight-reading totalizer. An optional FlowCom register is also available.

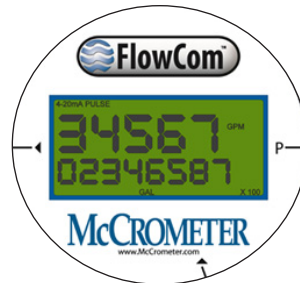
Typical face plates.



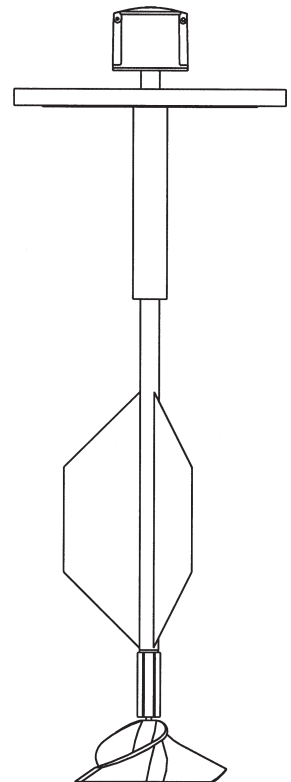
Standard register



Optional 7-wheel totalizer



FlowCom register



APPLICATIONS

The McCrometer propeller meter is the most widely used flowmeter for municipal and wastewater treatment applications as well as agricultural and turf irrigation measurement. Typical applications include:

- Water and wastewater management
- Center pivot systems
- Sprinkler irrigation systems
- Drip irrigation systems
- Golf course and park water management
- Gravity turnouts from underground pipelines
- Commercial Nurseries



3255 WEST STETSON AVENUE • HEMET, CALIFORNIA 92545 USA

TEL: 951-652-6811 • 800-220-2279 • FAX: 951-652-3078 Printed In The U.S.A. Lit. # 24517-35 Rev. 1.4 / 2-23-18

Copyright © 2001-2017 McCrometer, Inc. All printed material should not be changed or altered without permission of McCrometer. Any published pricing, technical data, and instructions are subject to change without notice. Contact your McCrometer representative for current pricing, technical data, and instructions.



MODEL **MMC00**

DOWNFLOW TOP PLATE ASSEMBLY FLOWMETER

PERFORMANCE

ACCURACY/REPEATABILITY: ±2% of reading guaranteed throughout range

RANGE: (see dimensions chart below)

HEAD LOSS: (see dimension chart below)

MAXIMUM TEMPERATURE: (Standard Construction) 160°F constant

PRESSURE RATING: 150 psi. Consult factory for special applications.

MATERIALS

TOP PLATE ASSEMBLY: Epoxy-coated carbon steel

BEARING ASSEMBLY: Impeller shaft - 316 stainless steel, Ball bearings - 440C stainless steel

MAGNETS: Permanent type; cast or sintered alnico

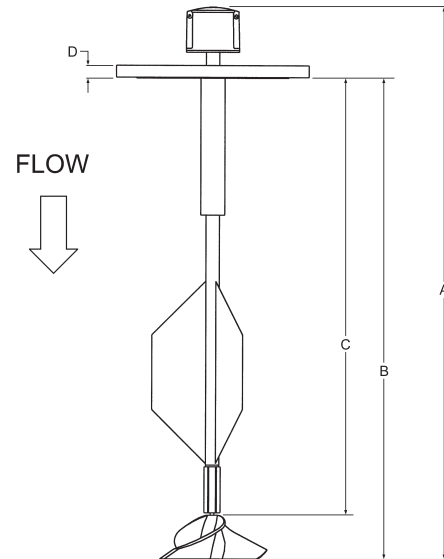
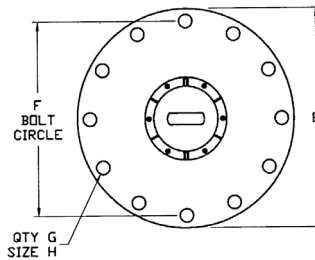
BEARING HOUSING:

- For models 2" to 16": 304 stainless steel standard, 316 stainless steel optional
- For models 18" and larger: Brass standard, 316 stainless steel optional

REGISTER: An instantaneous flowrate indicator and six-digit straight-reading totalizer is standard. The register is hermetically sealed within a die cast aluminum case. This protective housing includes a domed acrylic lens and hinges cover with locking hasp.

OPTIONS

- Can be fitted with any flange standard including common international standards
- Forward/reverse flow measurement
- Register extensions
- All stainless steel construction
- High temperature construction
- "Over Run" bearing assembly for higher than normal flowrates
- A complete line of flow recording/control instrumentation
- Certified calibration test results
- Canopy boot



MMC00	DIMENSIONS							
Meter and Nominal Pipe Size (inches)	3	4	6	8	10	12	14	16
Maximum Flow U.S. GPM	250	600	1200	1500	1800	2500	3000	4000
Minimum Flow U.S. GPM	40	50	90	100	125	150	250	275
Approx. Head Loss in Inches at Max. Flow	29.5	23	17	6.75	3.75	2.75	2	1.75
Approx. Shipping Weight- lbs.	60	100	150	200	290	390	530	625
A (inches)	Per Customer Specifications							
B (inches)								
C (inches)								
D (inches)								
E (inches)	7.5	9	11	13.5	16	19	21	23.5
F (inches)	6	7.5	9.5	11.75	14.25	17	18.75	21.25
G (no. of bolt holes)	4	8	8	8	12	12	12	16
H (inches)	.75	.75	.875	.875	1	1	1.125	1.125



3255 WEST STETSON AVENUE • HEMET, CALIFORNIA 92545 USA

TEL: 951-652-6811 • 800-220-2279 • FAX: 951-652-3078 Printed In The U.S.A. Lit. # 24517-35 Rev. 1.4 / 2-23-18

Copyright © 2001-2017 McCrometer, Inc. All printed material should not be changed or altered without permission of McCrometer. Any published pricing, technical data, and instructions are subject to change without notice. Contact your McCrometer representative for current pricing, technical data, and instructions.