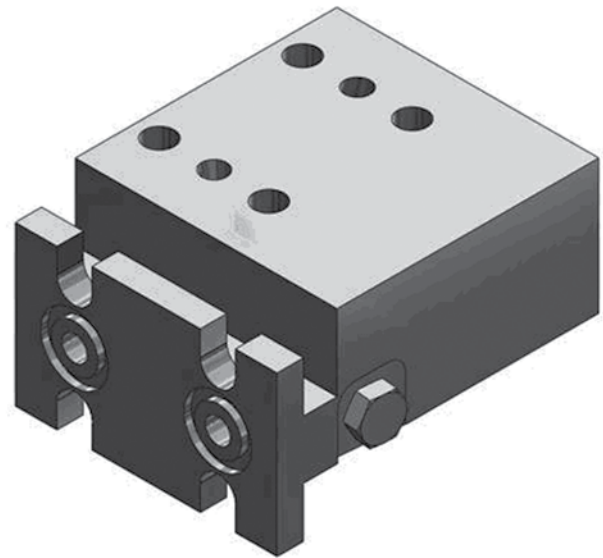


The adapter is used on a direct mount system that domes off horizontally from the orifice fitting. Instead of using a 5 valve angle manifold, you would use this to make the angle from horizontal to vertical. The benefit with this design is that with a slight incline in porting inside the adapter, the condensation could flow back into the fitting and not pool in the angle adapter and be constantly drained (see our HM37 - 5 valve angle - it has drain ports on it). The design then prevents freezing if you forget to go out and drain it.



### Features and Benefits

- Direct mount system
- Allows for drainage & helps prevent freezing
- Twist design allows for better mounting configuration

### Application

Natural Gas: Direct mount system that domes off horizontally from the orifice fitting and used in combination with another manifold valve.

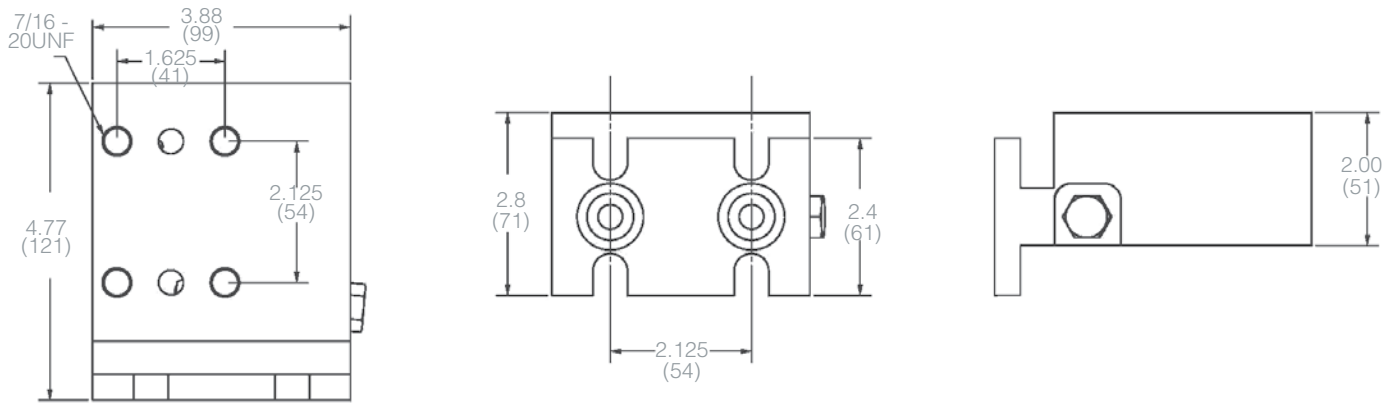
### Ratings

Body is rated to 3,000 psig @ 100°F (206.9 Bar @ 38°C)\*

\* The body is de-rated to be the same as the HM37, in order to avoid confusion.

How to Order					
Model Number	Body Material	Inlet Size	Inlet Type	Outlet Size	Outlet Type
HM37A	S = Carbon Steel	9 = Flanged	9 = Flanged	9 = Flanged	9 = Flanged
	U = Stainless Steel				

**Dimensions**



**View of HM37 Attached To HM37A**

