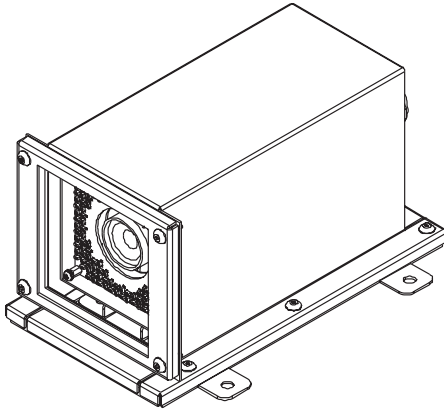


# Model PPE4-G / PPE4-P Enclosure Kit

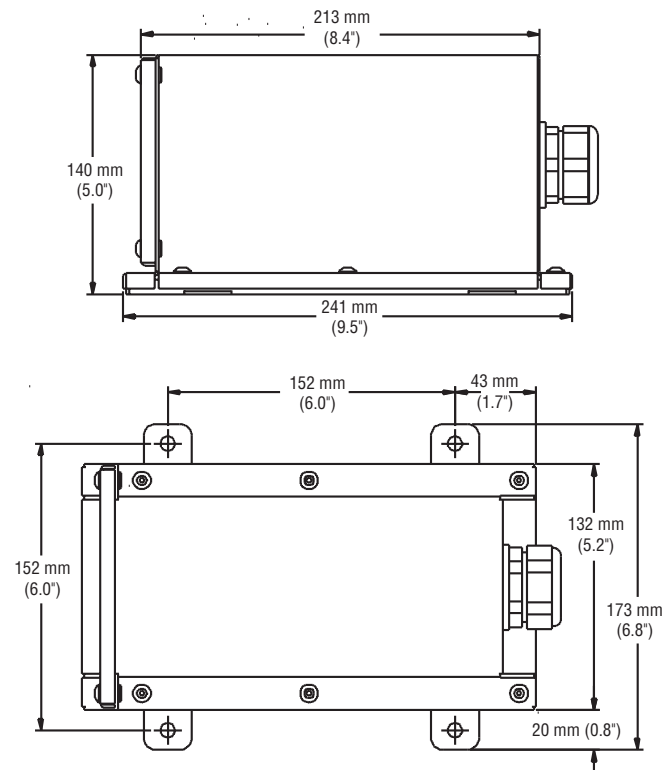
Heavy-Duty Enclosure Kit for PresencePLUS<sup>®</sup> Pro Vision System Camera and Ring Light



## Features

- Protects camera and light during washdown
- Keeps dust and dirt off lens and light
- Prevents vandalism, mischief, and tampering

## Dimensions



## Specifications

<b>Environmental Rating</b>	NEMA 4 (IEC IP66)
<b>Chemical Resistance</b>	<p><b>Enclosure:</b> type 304 stainless steel; 18-8 stainless steel fasteners</p> <p><b>Gaskets:</b> Poron<sup>®</sup> cellular urethane foam</p> <p><b>Window:</b> polycarbonate (P model number suffix); glass (G suffix)</p> <p><b>Cord grip:</b> polyamide body, Viton<sup>®</sup> sealing ring</p> <p><b>White inserts:</b> PVC</p>
<b>Temperature Tolerance</b>	<p><b>Poron<sup>®</sup> gasket:</b> -40° to +90°C (-40° to +194° F)</p> <p><b>Polycarbonate window:</b> -101° to +93°C (-150° to +200° F)</p> <p><b>Polyamide cord grip body:</b> -20° to +100°C (-4° to +212° F)</p> <p><b>Viton<sup>®</sup> sealing ring:</b> -35° to +204°C (-31° to +400° F)</p> <p><b>PVC insert for cord grip:</b> -40° to +80°C (-40° to +176° F)</p>

Poron<sup>®</sup> is a registered trademark of Rogers Corp. Elastomer Div.  
Viton<sup>®</sup> is a registered trademark of DuPont Dow Elastomers.

# Model PPE4-G / PPE4-P Enclosure Kit

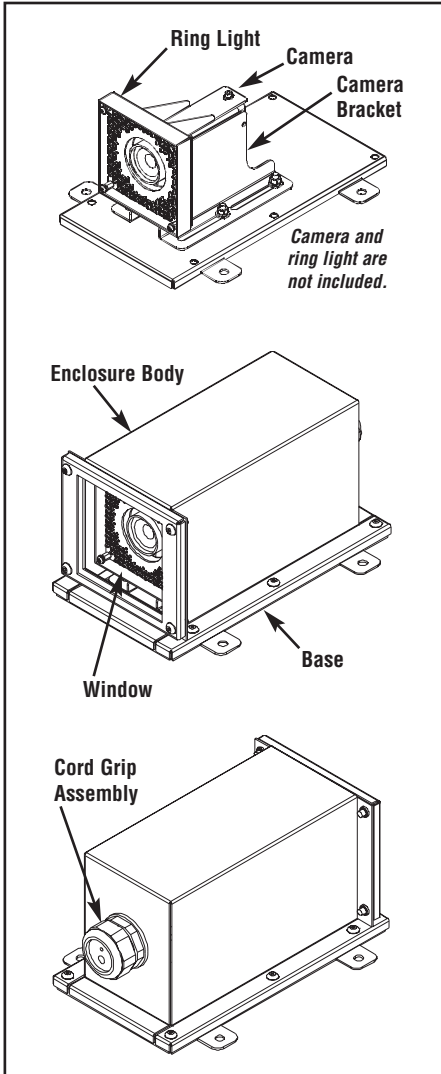


Figure 1. Assembling the Enclosure

## Tools Required:

- 8 mm deep-well socket on 100 mm extension and ratchet (or 8 mm open-end or box-end wrench)
- 3 mm hex wrench
- 2.5 mm hex wrench (provided in camera and ring light hardware kits)

**WARRANTY:** Banner Engineering Corp. warrants its products to be free from defects for one year. Banner Engineering Corp. will repair or replace, free of charge, any product of its manufacture found to be defective at the time it is returned to the factory during the warranty period. This warranty does not cover damage or liability for the improper application of Banner products. This warranty is in lieu of any other warranty either expressed or implied.

## Installation

### Disassemble the Enclosure

1. Remove the six M5x8 button-head screws holding the enclosure body to the base, and separate the enclosure from the base.
2. Loosen but do not remove the four nuts holding the two brackets to the base.

### Mount the Enclosure Base

1. Drill four holes into the mounting surface. Use the base as a template, or see the dimension drawing on page 1. (Mounting holes may be drilled or tapped.)
2. Orient the base so the two mounting holes closest to the corners are opposite the enclosure window end. Mount the base using four screws of sufficient length.

### Install the PresencePlus® Pro Camera

1. Make sure the lens is on the camera.
2. Mount the camera on the brackets using the four M3x6 socket-head screws, lock washers, and flat washers supplied with the camera. Tighten the screws.
3. Mount the ring light (if used) on the camera using the M3x6 socket-head screws, lock washers, and flat washers supplied with the ring light. Tighten the screws.
5. Slide the camera and bracket forward until the light housing or the lens (whichever protrudes more) is approximately 19 mm (0.75") from the edge of the base.
6. Aim the camera straight; tighten the four nuts holding the camera brackets to the base.

### Run Cables through the Cord Grip

1. Remove the crown nut and two white insert halves from the cord grip assembly.

NOTE: The cord grip is shipped with the small hole plugged for applications that do not require a ring light. If a Ring light will be used, remove and discard the plug; if not, keep the plug so it can be reinstalled later.

2. Run the round, connector-end of the camera cable through the crown nut and through the cord grip body in the enclosure, and snap it onto the connector on the camera back.
3. Run the ring light cable out of the enclosure through the cord grip body and through the crown nut.
4. Leave the cord grip assembly as-is until assembling the enclosure.

### Adjust the Camera Lens

Power up the camera and light, and set the lens focus and aperture.

NOTE: If using the ring light, a slight loss of illumination may occur when the enclosure is placed over the camera.

### Assemble the Enclosure

1. Make sure there are no smudges on the window (especially on the inside) that could cause imaging problems. (The window can be cleaned with standard glass cleaner and a soft, non-abrasive cloth.)
2. Align the enclosure gasket with the base edges and holes; place the enclosure over the camera and onto the baseplate. Make sure the gasket holes are aligned with the six enclosure holes and that the enclosure is pushed all the way down.
3. Insert and evenly tighten the six M5x8 button-head screws that hold the enclosure body to the base.

NOTE: As drilled, the cord grip reduces the enclosure's environmental rating to IP65. To achieve IP66 (NEMA 4) specifications, apply RTV silicone sealant in the half-round cable grooves of each white insert half before doing step 4.

4. Place one white insert half into the cord grip body, so the split is vertical and the small hole is on top. Place the camera cable and the ring light cable (if applicable) in the two half-round grooves, and slide the other white insert half into the cord grip body.
5. Make sure the cables are in place, and thread the crown nut onto the cord grip body. Tighten it securely by hand.
6. If no ring light is used, reinstall the plug in the small half-round groove when assembling the two white insert halves.