



**Mc SpaceSaver™**  
THE TIGHT SPOT FLOW METER

## CONFIGURATION SHEET

### M0300F FLOW METER FS100 INSERTION FLOW STRAIGHTENER

#### DESCRIPTION:

The Mc SpaceSaver System combines our breakthrough flow straightening technology with a self-cleaning Mc Propeller meter design that virtually eliminates the upstream/downstream straight pipe runs. This advanced design delivers highly accurate liquid flow measurement in a rugged space-saving design that reduces installation costs, offers long-life and requires minimal maintenance.

#### SPECIFICATIONS:

##### Min. Up Stream

**Straight Run:** 1.5 pipe diameters minimum (measured from propeller)

##### Acceptable

**Installation Effects:** Chemigation Valves  
In plane elbows  
Out of plane elbows  
Fully Open Butterfly and Gate Valves

**Sizes:** 6" & 8" Nominal and OD pipe.

**Customer Pipe wall:** Metal ≥0.08, <0.5  
Plastic ≥0.25, <0.5

##### For M0300F

**Installation:** Inserted into pipeline through rectangular hole and locked in place by a single  $1/2$  or  $5/8$  inch bolt. The M0300F flowmeter is designed to cover the rectangular hole used to install the flow straightener.

##### For M0300

**Installation:** Inserted into pipeline through open end of pipeline and locked in place by a single  $1/2$  or  $5/8$  inch bolt.

**Installation Bolt:** Stainless steel bolt with dual seal.

**Body M0300F:** Fabricated 304 stainless steel saddle with stainless steel drop pipe is supplied with: brass bearing housing, stainless steel bearings, polypropylene impeller, magnetic drive, instantaneous flow indicator, straight-reading six-digit totalizer, and flat neoprene gasket.

**Body FS100:** 304 Stainless Steel.

**Exterior:** Glass bead blasted.

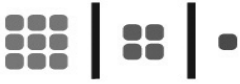
**Pressure Rating:** 150 psi max.



**McCROMETER**  
www.mccrometer.com

3255 WEST STETSON AVENUE, HEMET, CA 92545 USA TEL (951) 652-6811 / FAX (951) 652-3078  
All printed material should not be changed or altered without permission of McCrometer. The published pricing, technical data and instructions are subject to change **without notice**. Contact your McCrometer representative for current information.

Copyright ©2007 McCrometer U.S. Patent 8,839,821 B2; Mexican Patent PRODUCTO PATENTADO 310706  
Printed in USA Lit #24510-68 Rev. 1.4/4-15

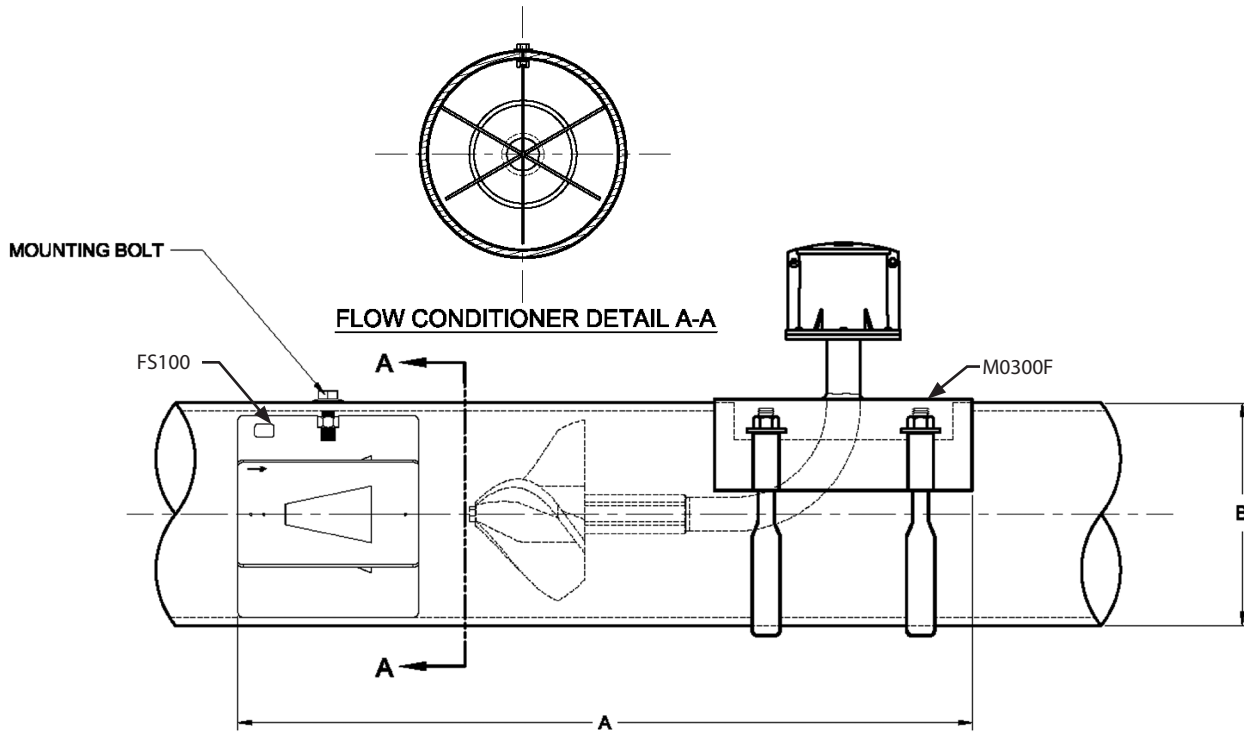


**Mc SpaceSaver™**  
THE TIGHT SPOT FLOW METER

# CONFIGURATION SHEET

## M0300F FLOW METER

## FS100 INSERTION FLOW STRAIGHTENER



	M0300F FLOW METER MODELS							
M0300F Model	M0306F	M0306F	M0306F	M0306F	M0308F	M0308F	M0308F	M0308F
	FS100 FLOW STRAIGHTENER MODELS							
FS100 Model	FS106-1	FS106-2	FS106-3	FS106-4	FS108-1	FS108-2	FS108-3	FS108-4
Pipe OD (B)	6.625	6.625	6.0	6.0	8.625	8.625	8.0	8.0
Wall Thickness Range	0.080 to 0.199	0.200 to 0.320	0.080 to 0.156	0.157 to 0.260	0.080 to 0.209	0.210 to 0.340	0.080 to 0.161	0.162 to 0.260
'A' with M03xxF Flowmeter	22	22	22	22	28- <sup>5</sup> / <sub>8</sub>	28- <sup>5</sup> / <sub>8</sub>	28- <sup>5</sup> / <sub>8</sub>	28- <sup>5</sup> / <sub>8</sub>
'A' with M03xx Flowmeter	26- <sup>1</sup> / <sub>4</sub>	26- <sup>1</sup> / <sub>4</sub>	26- <sup>1</sup> / <sub>4</sub>	26- <sup>1</sup> / <sub>4</sub>	31- <sup>1</sup> / <sub>8</sub>	31- <sup>1</sup> / <sub>8</sub>	31- <sup>1</sup> / <sub>8</sub>	31- <sup>1</sup> / <sub>8</sub>
FS100 Shipping Wt. (lbs)	3.3	3.2	3	2.9	5.9	5.7	5.5	5.3
M0300F Shipping Wt. (lbs)	22	22	22	22	26	26	26	26

**Notes:**

1. Legal Protection Pending.
2. M0300F flowmeter, shown in diagram above, provided separately.
3. Upon request: special pipe diameter and special wall thickness.
4. Select the appropriate M0300 Flow Meter and FS100 Flow Straightener for a complete Mc SpaceSaver system.



**McCrometer**  
www.mccrometer.com

3255 WEST STETSON AVENUE, HEMET, CA 92545 USA TEL (951) 652-6811 / FAX (951) 652-3078  
All printed material should not be changed or altered without permission of McCrometer. The published pricing, technical data and instructions are subject to change **without notice**. Contact your McCrometer representative for current information.

Copyright ©2007 McCrometer U.S. Patent 8,839,821 B2; Mexican Patent PRODUCTO PATENTADO 310706  
Printed in USA Lit #24510-68 Rev. 1.4/4-15