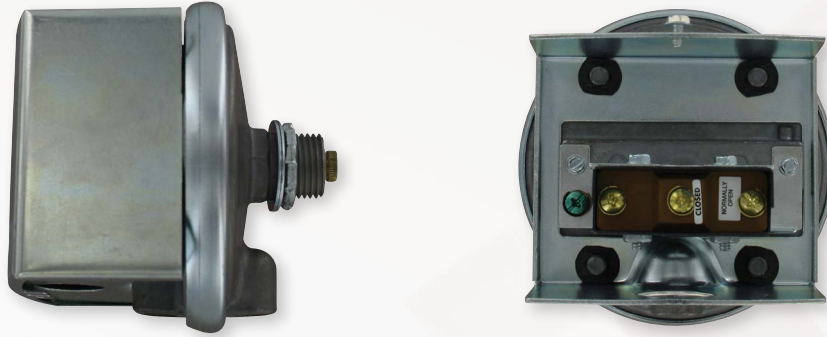




SERIES 1800 | LOW DIFFERENTIAL PRESSURE SWITCH



FEATURES/BENEFITS

- Compact size and repeatability provide a high-value switch useful in many industrial applications
- Designed for panel and wall mounting to easily meet mounting requirements in most industrial settings
- Pressure ranges from 0.07 in w.c. to 85 in w.c. make this switch suitable for a wide range of applications

APPLICATIONS

- Process applications
- Mechanical equipment control

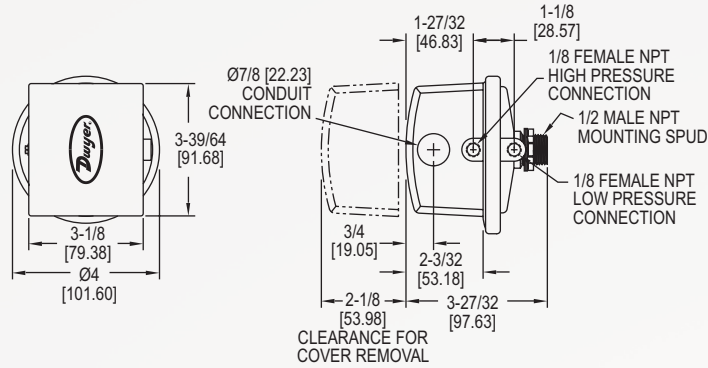
DESCRIPTION

Essential for industrial environments, the **Series 1800 Low Differential Pressure Switch for General Industrial Service** combines small size and low price with 2% repeatability for all but the most demanding applications. Set point adjustment inside the mounting stud permits mounting the switch on one side of a wall or panel with adjustment easily accessible on the opposite side. UL and CSA listed, and FM approved.

SPECIFICATIONS

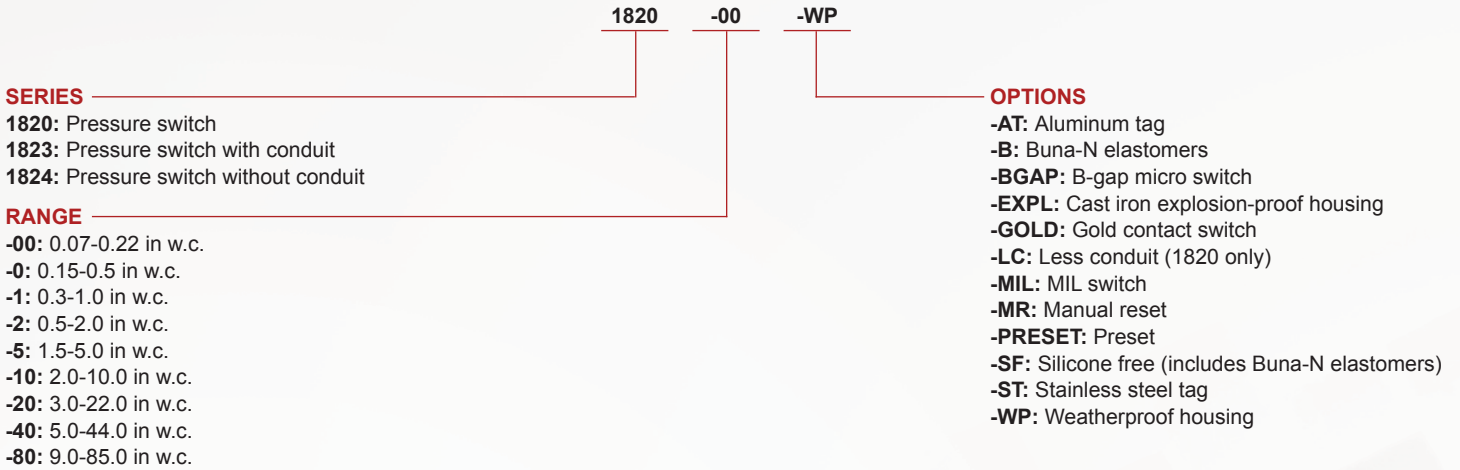
Service	Air and non-combustible, compatible gases.
Wetted Materials	Consult factory.
Temperature Limits	-30 to 180°F (-34 to 82.2°C); 1823-00: -20 to 180°F (-28.9 to 82.2°C).
Pressure Limits	10 psig (68.95 kPa) continuous, 25 psig (172.4 kPa) surge.
Switch Type	Single-pole double-throw (SPDT).
Repeatability	±2%.
Electrical Rating	15 A @120-480 VAC, 60 Hz. Resistive 1/8 HP @ 125 VAC, 1/4 HP @ 250 VAC, 60 Hz. De-rate to 10 A for operation at high cycle rates.
Electrical Connection	3 screw type, common, normally open and normally closed.
Process Connection	1/8" female NPT.
Mounting Connection	Diaphragm in vertical position. Consult factory for other position orientations.
Set Point Adjustment	Screw type inside mounting spud.
Weight	1lb 5 oz (595 g).
Agency Approvals	CE, CSA, FM, UL. Optional –EXPL explosion-proof enclosure does not possess any agency approvals.

DIMENSIONS



HOW TO ORDER

Use the **bold** characters from the chart below to construct a product code.



ACCESSORIES

Model	Description
A-389	Mounting bracket; 16 ga. steel, zinc plated and dichromate dipped for corrosion resistance
A-489	4" straight static pressure tip with flange
A-491	6" straight static pressure tip with flange
A-493	8" straight static pressure tip with flange
A-302F-A	303 SS static pressure tip with mounting flange; for 3/16" ID rubber or plastic tubing; 4" insertion depth; includes mounting screws
A-302F-B	303 SS static pressure tip with mounting flange; for 3/16" ID rubber or plastic tubing; 6" insertion depth; includes mounting screws
A-302F-C	303 SS static pressure tip with mounting flange; for 3/16" ID rubber or plastic tubing; 8" insertion depth; includes mounting screws

ORDER ONLINE TODAY!

dwyer-inst.com/Product/Series1800



DWYER INSTRUMENTS, INC.