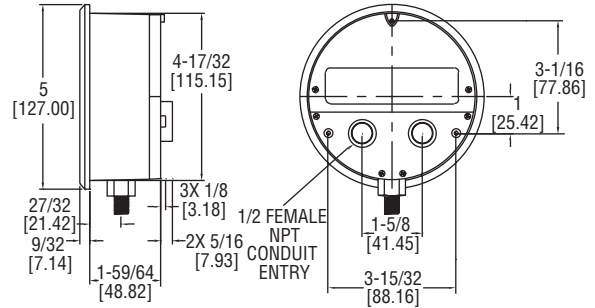
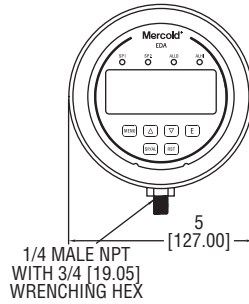


# ELECTRONIC PRESSURE CONTROLLER

## 2 Switches, Indicating Gauge, and Transmitter in One Package



Scan here to watch product video



**SERIES EDA** Electronic Pressure Control is an extremely versatile compact package that can replace a separate gauge, two switches, and a transmitter in a system saving money, installation time, and panel space. The EDA incorporates two SPDT relays that have the on and off points fully adjustable over the range for control or alarm use. Front face has LED indicators for switch status and a large backlight two-line display showing process value and indication units. Programming is easy with simple menu structure, two-line display, and external programming buttons. Weatherproof housing is ideal for a wide variety of applications with panel mount, flush mount, or pipe mount ability. Features include zero set, adjustable dampening, menu lock out, peak and valley indication, removable terminal blocks, adjustable time delay, and scalable transmitter output.

### FEATURES/BENEFITS

- Versatile compact package that can replace a separate gauge, two switches, and a transmitter in a system saving money, installation time, and panel space
- Fully programmable to meet simple or complex application needs
- Test mode function simulates input over the range without pressuring to easily test switches and transmitter output function
- Failsafe relay output choices in case of sensor failure, over pressure, high temperature limit, low temperature limit, or keypad short
- Selectable alternation of set points between the relays for even wear on duplex pump applications
- Weatherproof housing is ideal for a wide variety of applications with panel mount, flush mount, or pipe mount ability

### APPLICATIONS

- Process control
- Compressor control
- SCFM duct flow
- Filter status
- Duct or building static pressure
- Damper and fan control

### SPECIFICATIONS

**Service:** Compatible liquids and gases.  
**Wetted Materials:** 316L SS.  
**Housing:** Glass filled plastic.  
**Accuracy:** ±1% of FS including linearity, hysteresis, and repeatability (indicator and transmitter).  
**Stability:** < ±2% of FS per year.  
**Pressure Limits:** 1.5 x range.  
**Temperature Limits:** Ambient: 20 to 140°F (-6.6 to 60°C); Process: 0 to 176°F (-18 to 80°C).  
**Compensated Temperature Limits:** 32 to 122°F (0 to 50°C).  
**Thermal Effect:** ±0.05% of FS/°F.  
**Display:** 4-digit backlit LCD (digits: 0.60"H x 0.33" W).  
**Power Requirements:** 12 to 30 VDC/AC.  
**Power Consumption:** 2.5 watts.  
**Electrical Connections:** Removable terminal blocks with two 1/2" female NPT conduit connections.  
**Enclosure Rating:** Meets NEMA 4X (IP66).  
**Warm Up Time:** <10 seconds.  
**Mounting Orientation:** Any position.  
**Weight:** 1.18 lb (535 g).  
**Agency Approvals:** CE, UL.

### SWITCH SPECIFICATIONS

**Switch Type:** 2 SPDT relays.  
**Electrical Rating:** 5 A @ 120/240VAC, 1 A @ 30 VDC.  
**Repeatability:** ±1% of FS (switching only).  
**Set Points:** Adjustable 0-100% of FS.  
**Switch Indication:** External LED for each relay on the front panel.  
**Switch Reset:** Manual or automatic.

### TRANSMITTER SPECIFICATIONS

**Output Signal:** 4 to 20 mA, 1 to 6 VDC, 1 to 5 VDC, 0 to 5 VDC, or 0 to 10 VDC (direct or reverse output selection).  
**Minimum Excitation:** 14 VDC.  
**Zero and Span Adjustments:** Menu scalable within the range.

MODEL CHART								
<b>Example</b>	EDA	W	-N1	E1	-02	T0	-AT	EDAW-N1E1-02T0-AT
<b>Series</b>	EDA							Electronic pressure controller
<b>Housing</b>		W						Weatherproof
<b>Process Connection</b>			N1					1/4" NPT male bottom
<b>Electrical Connection</b>				E1				Two 1/2" female NPT conduit connections
<b>Range</b>					02			0 to 20 psi
					03			0 to 60 psi
					04			0 to 100 psi
					05			0 to 150 psi
					06			0 to 300 psi
					07			0 to 600 psi
					08			0 to 1000 psi
					09			0 to 1500 psi
					10			0 to 3000 psi
<b>Transmitter Output</b>						T0		None
						T1		4 to 20 mA
						T2		1 to 5 VDC
						T3		0 to 5 VDC
						T4		1 to 6 VDC
						T5		0 to 10 VDC
<b>Options</b>						AT		Aluminum adhesive tag
						NIST		NIST certificate
						23444		Oxygen cleaning