

EZ-LIGHT® One-Color General-Purpose Indicators



Datasheet

To view or download the latest technical information about this product, including specifications, dimensions, accessories, and wiring, go to www.bannerengineering.com.



WARNING:

- **Do not use this device for personnel protection**
- Using this device for personnel protection could result in serious injury or death.
- This device does not include the self-checking redundant circuitry necessary to allow its use in personnel safety applications. A device failure or malfunction can cause either an energized (on) or de-energized (off) output condition.

Models


	Models ¹	LED Color ²
	T8LGXXPQ	Color 1: Green
	T8LXRXQPQ	Color 2: Red
	T8LXXYPQ	Color 3: Yellow
	<ul style="list-style-type: none"> • Polycarbonate/ABS alloy housing, thermoplastic diffuser. • IP67 	
	M18GXXPQ	Color 1: Green
	M18XRXQPQ	Color 2: Red
	M18XXYPQ	Color 3: Yellow
	<ul style="list-style-type: none"> • Nickel-plated brass housing, thermoplastic diffuser. • Fully encapsulated IP67 	
	K30LGXXPQ	Color 1: Green
	K30LXRXQPQ	Color 2: Red
	K30LXXYPQ	Color 3: Yellow
	<ul style="list-style-type: none"> • 22 mm threaded polycarbonate base, translucent polycarbonate dome. • Fully encapsulated IP67, IP69K per DIN 40050-9 	
	K50LGXXPQ	Color 1: Green
	K50LXRXQPQ	Color 2: Red
	K50LXXYPQ	Color 3: Yellow
	<ul style="list-style-type: none"> • 30 mm threaded polycarbonate base, translucent polycarbonate dome. • Fully encapsulated IP67, IP69K per DIN 40050-9 	
	K50FLGXXPQ	Color 1: Green
	K50FLXRXQPQ	Color 2: Red
	K50FLXXYPQ	Color 3: Yellow
	<ul style="list-style-type: none"> • ABS base, translucent polycarbonate dome. • Fully encapsulated IP67, IP69K per DIN 40050-9 	

¹



- **T8L Models:** Standard quick-disconnect models are listed. To order the integral 4-wire cabled model, omit the suffix QP. For example, T8LGXXP.
- **K30FL Models:** Standard integral 4-pin M12 quick-disconnect connector models are listed. For 2 m (6.5 ft) integral 4-wire cabled model, omit suffix Q. For example K30LGRXP. For 150 mm (6 inch) PVC-jacketed cable with 4-pin M12 quick-disconnect connector, replace suffix Q with QP. For example, K30LGRXPQP. For terminal model, replace suffix Q with T. For example, K30LGRXPPT.
- **K80L Models:** Standard integral 4-pin M12 quick-disconnect connector models are listed. To order the terminal-wired model, omit suffix Q. For example, K80LGXXP.
- **Other Models:** Standard integral 4-pin M12 quick-disconnect connector models are listed. To order the 2 m (6.5 ft) integral 4-wire cable model, omit suffix Q. For example, M18GXXP. To order the 150 mm (6 inch) PVC-jacketed cable with 4-pin M12 quick-disconnect connector, replace suffix Q with QP. For example, M18GXXPQP.
- Models with a quick disconnect require a mating cordset.

² Contact Banner Engineering for other colors and color combinations.

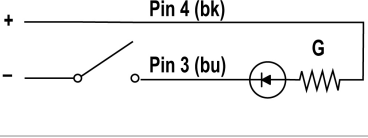
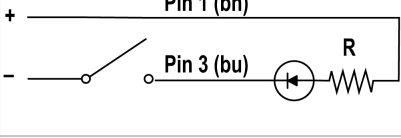
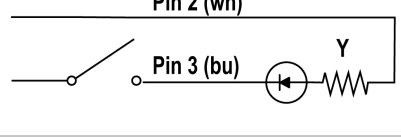


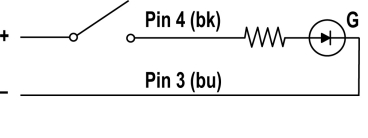
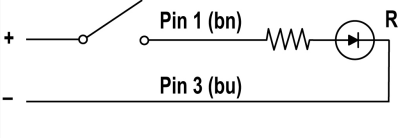
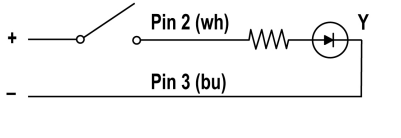
Models ¹		LED Color ²
	K80LGXXPQ	Color 1: Green
	K80LXRX PQ	Color 2: Red
	K80LXXYPQ	Color 3: Yellow
	<ul style="list-style-type: none"> • Polycarbonate base, translucent polycarbonate dome. • Fully encapsulated IP67 	

The following models are no longer available for order, but are still covered by the information in this document.

Models ¹		LED Color ²
	T18GXXPQ	Color 1: Green
	T18XRX PQ	Color 2: Red
	T18XXYPQ	Color 3: Yellow
	<ul style="list-style-type: none"> • Thermoplastic polyester housing, thermoplastic diffuser. • Fully encapsulated IP67 	
	T30GXXPQ	Color 1: Green
	T30XRX PQ	Color 2: Red
	T30XXYPQ	Color 3: Yellow
	<ul style="list-style-type: none"> • Thermoplastic polyester housing, thermoplastic diffuser. • Fully encapsulated IP67 	

Wiring

For NPN Operation		
Color 1	Color 2	Color 3
		
Pin 1 and Pin 2 not used	Pin 4 and Pin 2 not used	Pin 1 and Pin 4 not used

For PNP Operation		
Color 1	Color 2	Color 3
		
Pin 1 and Pin 2 not used	Pin 4 and Pin 2 not used	Pin 1 and Pin 4 not used

Wiring Key

- | | |
|---------------|---------------|
| 1. Brown (bn) | 3. Blue (bu) |
| 2. White (wh) | 4. Black (bk) |

¹

- **T8L Models:** Standard quick-disconnect models are listed. To order the integral 4-wire cabled model, omit the suffix QP. For example, T8LGXXP.
- **K30FL Models:** Standard integral 4-pin M12 quick-disconnect connector models are listed. For 2 m (6.5 ft) integral 4-wire cabled model, omit suffix Q. For example K30LGRXP. For 150 mm (6 inch) PVC-jacketed cable with 4-pin M12 quick-disconnect connector, replace suffix Q with QP. For example, K30LGRXPQP. For terminal model, replace suffix Q with T. For example, K30LGRXPPT.
- **K80L Models:** Standard integral 4-pin M12 quick-disconnect connector models are listed. To order the terminal-wired model, omit suffix Q. For example, K80LGXXP.
- **Other Models:** Standard integral 4-pin M12 quick-disconnect connector models are listed. To order the 2 m (6.5 ft) integral 4-wire cable model, omit suffix Q. For example, M18GXXP. To order the 150 mm (6 inch) PVC-jacketed cable with 4-pin M12 quick-disconnect connector, replace suffix Q with QP. For example, M18GXXPQP.
- Models with a quick disconnect require a mating cordset.

² Contact Banner Engineering for other colors and color combinations.

Specifications

Supply Voltage and Current

T8L models: 10 V DC to 30 V DC at 20 mA maximum
T18, M18, and K30L models: 10 V DC to 30 V DC at 25 mA maximum per LED color
T30 models: 10 V DC to 30 V DC at 40 mA maximum per LED color
K50L, K50FL, and K80L models: 18 V DC to 30 V DC at 40 mA maximum per LED color

Indicators

Entire translucent diffuser or dome provides indication. Green and yellow, when connected to discrete output of 3-wire or 4-wire sensors. For other colors, contact factory for availability.

Input Response Time

Indicator ON/OFF: 1 ms max.

Environmental Rating

Rated IP67. T8L not encapsulated; K80L has encapsulated electronics only; other models fully encapsulated.
 K30L, K50L, and K50FL QD models meet IP69K per DIN 40050-9. Cabled models also meet IP69K if the cable and cable entrance are protected from high-pressure spray.

Operating Conditions

Temperature: -40 °C to +50 °C (-40 °F to +122 °F)

Certifications

All models:



Banner Engineering Europe
 Park Lane, Culliganlaan 2F bus
 3, 1831 Diegem, BELGIUM

K50L, K50FL, T18, and T30 models only:



Turck Banner LTD Blenheim
 House, Blenheim Court,
 Wickford, Essex SS11 8YT,
 Great Britain

K30L and K50L models only:



Connections

T8L models: 150 mm (6 in) PVC-jacketed cable with a 4-pin M12 male quick-disconnect connector (QP) or 2 m (6.5 ft) unterminated 4-wire integral cable, depending on model

K30L models: Integral 4-pin M12 male quick-disconnect connector (Q), 150 mm (6 in) PVC-jacketed cable with a 4-pin M12 male quick-disconnect connector (QP), 2 m (6.5 ft) unterminated 4-wire integral cable, or 5 color-coded screw terminal for up to 16 AWG wire, depending on model. Screw terminal max torque: 0.11 N·m (1.0 lbf·in).

K80L models: Integral 4-pin M12 male quick-disconnect connector (Q) standard; terminal-wired models available for use with bulk cable; compression fitting optional. Contact Factory for cable information.

Other models: Integral 4-pin M12 male quick-disconnect connector (Q), 150 mm (6 in) PVC-jacketed cable with a 4-pin M12 male quick-disconnect connector (QP), or 2 m (6.5 ft) unterminated 4-wire integral cable, depending on model

Construction

See Models lists

Required Overcurrent Protection



WARNING: Electrical connections must be made by qualified personnel in accordance with local and national electrical codes and regulations.

Overcurrent protection is required to be provided by end product application per the supplied table.

Overcurrent protection may be provided with external fusing or via Current Limiting, Class 2 Power Supply.

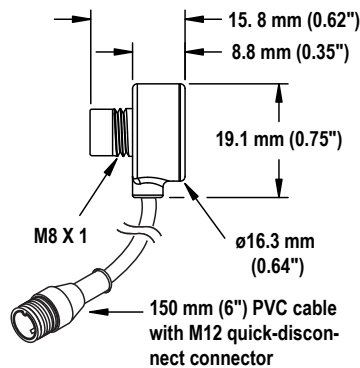
Supply wiring leads < 24 AWG shall not be spliced.

For additional product support, go to www.bannerengineering.com.

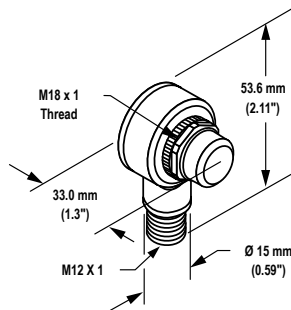
Supply Wiring (AWG)	Required Overcurrent Protection (Amps)
20	5.0
22	3.0
24	2.0
26	1.0
28	0.8
30	0.5

Dimensions

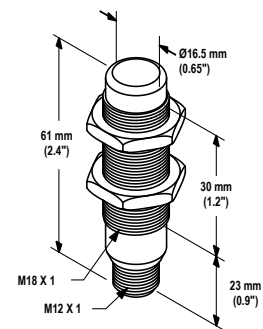
T8L Models

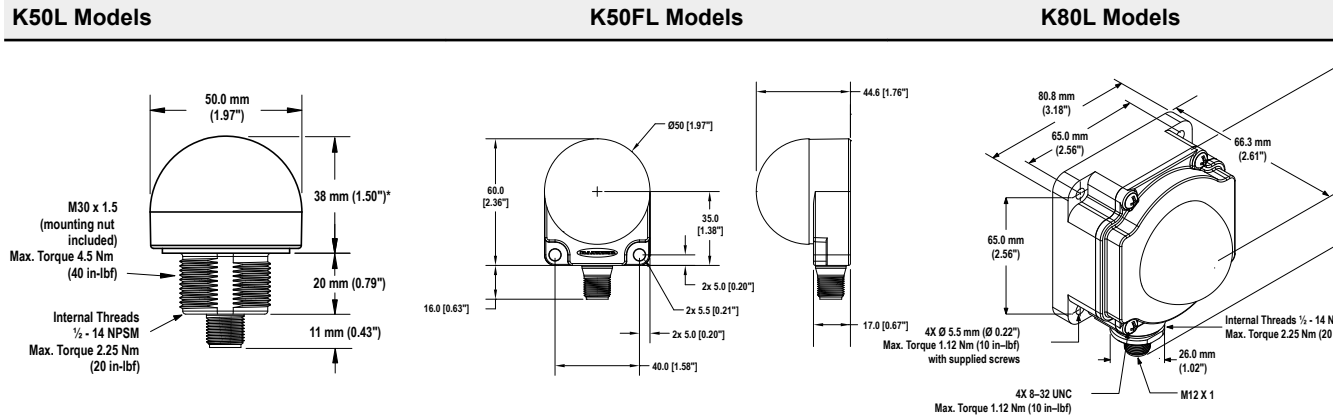
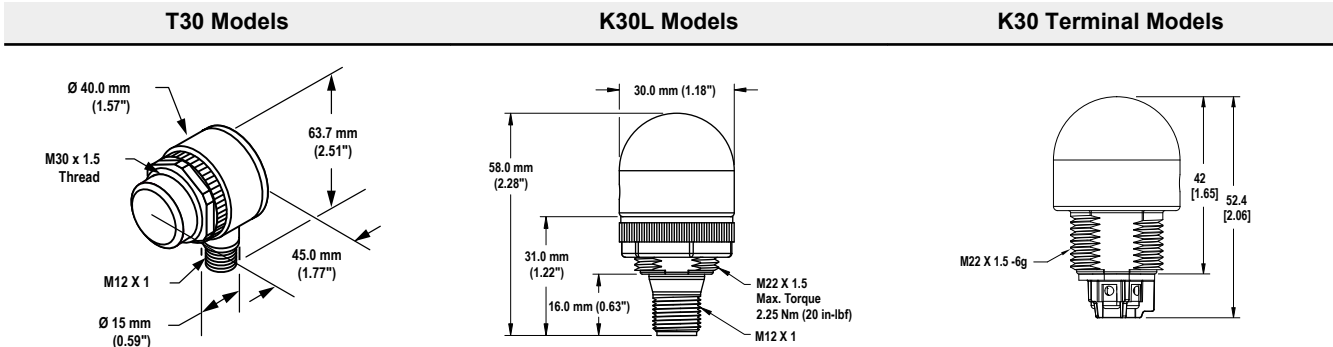


T18 Models



M18 Models





Accessories

Cordsets

4-Pin Threaded M12 Cordsets—Single Ended				
Model	Length	Style	Dimensions	Pinout (Female)
MQDC-406	2 m (6.56 ft)	Straight		
MQDC-415	5 m (16.4 ft)			
MQDC-430	9 m (29.5 ft)			
MQDC-450	15 m (49.2 ft)	Right-Angle		
MQDC-406RA	2 m (6.56 ft)			
MQDC-415RA	5 m (16.4 ft)			
MQDC-430RA	9 m (29.5 ft)			
MQDC-450RA	15 m (49.2 ft)			

1 = Brown
 2 = White
 3 = Blue
 4 = Black
 5 = Unused

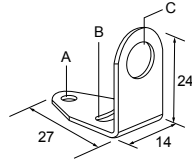
Brackets

For more information about these and other available brackets, visit www.bannerengineering.com.
 K50FL models include a 48 mm (1.9 in) circular hook-and-loop mounting kit for easy mounting with no additional hardware required.

For use with T8L models

SMB8MM

- Right-angle bracket
- 300 series stainless steel

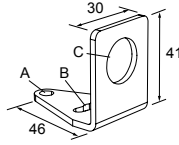


Hole size: A = \varnothing 3.5, B = 4.9 × 3.6, C = \varnothing 8.4

For use with M18 and T18 models or base-mount T30 models

SMB18A

- Right-angle mounting bracket with a curved slot for versatile orientation
- 12-ga. stainless steel
- 18 mm sensor mounting hole
- Clearance for M4 (#8) hardware

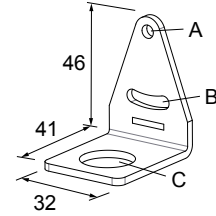


Hole center spacing: A to B = 24.2

Hole size: A = \varnothing 4.6, B = 17.0 × 4.6, C = \varnothing 18.5

SMB312PD

- Right-angle mounting bracket with a curved slot for versatile orientation
- 12-ga. stainless steel
- 18 mm sensor mounting hole
- Clearance for M4 (#8) hardware



Hole center spacing: A to B = 24.2

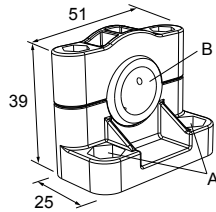
Hole size: A = \varnothing 4.6, B = 17 × 4.6, C = \varnothing 18.5



Note: Not for use with plastic fiber optic sensors

SMB1815SF

- Swivel with set screws for mounting sensors by the cable hub
- Black reinforced thermoplastic polyester
- Stainless steel swivel locking hardware and hex wrench included

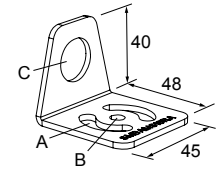


Hole center spacing: A = 36.0

Hole size: A = \varnothing 5.0, B = \varnothing 15.0

SMBAMS18RA

- Right-angle SMBAMS series bracket with 18 mm hole
- Articulation slots for 90° rotation
- 12-ga. (2.6 mm) cold-rolled steel

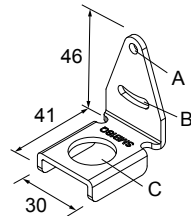


Hole center spacing: A = 26.0, A to B = 13.0

Hole size: A = 26.8 × 7.0, B = \varnothing 6.5, C = \varnothing 19.0

SMB18Q

- Right-angle flanged bracket
- 18 mm sensor mounting hole
- 12-ga. stainless steel

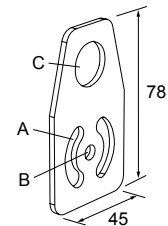


Hole center spacing: A to B = 24.2

Hole size: A = \varnothing 4.6, B = 17.0 × 4.6, C = \varnothing 19.0

SMBAMS18P

- Flat SMBAMS series bracket with 18 mm hole
- Articulation slots for 90° rotation
- 12-ga. (2.6 mm) cold-rolled steel

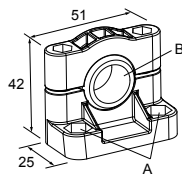


Hole center spacing: A = 26.0, A to B = 13.0

Hole size: A = 26.8 × 7.0, B = \varnothing 6.5, C = \varnothing 19.0

SMB18SF

- 18 mm swivel bracket with M18 × 1 internal thread
- Black thermoplastic polyester
- Stainless steel swivel locking hardware included



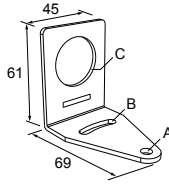
Hole center spacing: A = 36.0

Hole size: A = \varnothing 5.3, B = \varnothing 18.0

For use with T30 models or base-mount K50L models

SMB30A

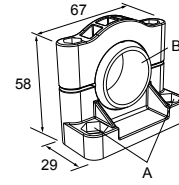
- Right-angle bracket with curved slot for versatile orientation
- Clearance for M6 (¼ in) hardware
- Mounting hole for 30 mm sensor
- 12-ga. stainless steel



Hole center spacing: A to B=40
Hole size: A=∅ 6.3, B= 27.1 x 6.3, C=∅ 30.5

SMB30SC

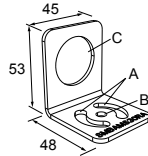
- Swivel bracket with 30 mm mounting hole for sensor
- Black reinforced thermoplastic polyester
- Stainless steel mounting and swivel locking hardware included



Hole center spacing: A=∅ 50.8
Hole size: A=∅ 7.0, B=∅ 30.0

SMBAMS30RA

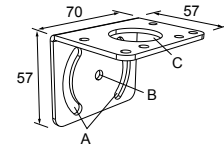
- Right-angle SMBAMS series bracket
- 30 mm hole for mounting sensors
- Articulation slots for 90°+ rotation
- 12-ga. (2.6 mm) cold-rolled steel



Hole center spacing: A=26.0, A to B=13.0
Hole size: A=26.8 x 7.0, B=∅ 6.5, C=∅ 31.0

SMB30MM

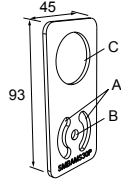
- 12-ga. stainless steel bracket with curved mounting slots for versatile orientation
- Clearance for M6 (¼ in) hardware
- Mounting hole for 30 mm sensor



Hole center spacing: A = 51, A to B = 25.4
Hole size: A = 42.6 x 7, B = ∅ 6.4, C = ∅ 30.1

SMBAMS30P

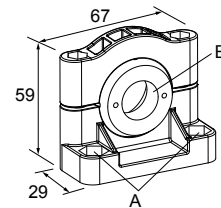
- Flat SMBAMS series bracket
- 30 mm hole for mounting sensors
- Articulation slots for 90°+ rotation
- 12-ga. 300 series stainless steel



Hole center spacing: A=26.0, A to B=13.0
Hole size: A=26.8 x 7.0, B=∅ 6.5, C=∅ 31.0

SMB3018SC

- 18 mm swivel side or barrel-mount bracket
- Black reinforced thermoplastic polyester
- Stainless steel swivel locking hardware included

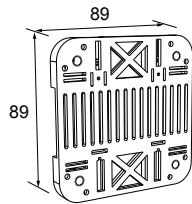


Hole center spacing: A = 50.8
Hole size: A = ∅ 7.0, B = ∅ 18.0

DIN-mount bracket for K80L models

SMBDX80DIN

- Black reinforced thermoplastic
- Bracket for mounting on a 35 mm DIN rail



Banner Engineering Corp. Limited Warranty

Banner Engineering Corp. warrants its products to be free from defects in material and workmanship for one year following the date of shipment. Banner Engineering Corp. will repair or replace, free of charge, any product of its manufacture which, at the time it is returned to the factory, is found to have been defective during the warranty period. This warranty does not cover damage or liability for misuse, abuse, or the improper application or installation of the Banner product.

THIS LIMITED WARRANTY IS EXCLUSIVE AND IN LIEU OF ALL OTHER WARRANTIES WHETHER EXPRESS OR IMPLIED (INCLUDING, WITHOUT LIMITATION, ANY WARRANTY OF MERCHANTABILITY OR FITNESS FOR A PARTICULAR PURPOSE), AND WHETHER ARISING UNDER COURSE OF PERFORMANCE, COURSE OF DEALING OR TRADE USAGE.

This Warranty is exclusive and limited to repair or, at the discretion of Banner Engineering Corp., replacement. **IN NO EVENT SHALL BANNER ENGINEERING CORP. BE LIABLE TO BUYER OR ANY OTHER PERSON OR ENTITY FOR ANY EXTRA COSTS, EXPENSES, LOSSES, LOSS OF PROFITS, OR ANY INCIDENTAL, CONSEQUENTIAL OR SPECIAL DAMAGES RESULTING FROM ANY PRODUCT DEFECT OR FROM THE USE OR INABILITY TO USE THE PRODUCT, WHETHER ARISING IN CONTRACT OR WARRANTY, STATUTE, TORT, STRICT LIABILITY, NEGLIGENCE, OR OTHERWISE.**

Banner Engineering Corp. reserves the right to change, modify or improve the design of the product without assuming any obligations or liabilities relating to any product previously manufactured by Banner Engineering Corp. Any misuse, abuse, or improper application or installation of this product or use of the product for personal protection applications when the product is identified as not intended for such purposes will void the product warranty. Any modifications to this product without prior express approval by Banner Engineering Corp will void the product warranties. All specifications published in this document are subject to change; Banner reserves the right to modify product specifications or update documentation at any time. Specifications and product information in English supersede that which is provided in any other language. For the most recent version of any documentation, refer to: www.bannerengineering.com.

For patent information, see www.bannerengineering.com/patents.