

Instrument Grade Ball Valves are primarily used as a block valve for instruments, drain valves, on/off valves for panel and systems, and many other applications and OEM equipment. This cost effective line of ball valves offer several pressure ratings, end connection options (upon request) and sizes.



Specifications

- Size: 1/4", 3/8", 1/2", 3/4", 1"
- End Connections: NPT (Male & Female)
- Body Style: 2 piece body
- Body Material: 316SS
- Seat Material: PTFE standard
- Packing: PTFE standard
- Handle: Stainless Steel with cover
- Options

- Panel mount
- Cleaned for oxygen service
- NACE-MR-01-75
- Additional end connections available upon request

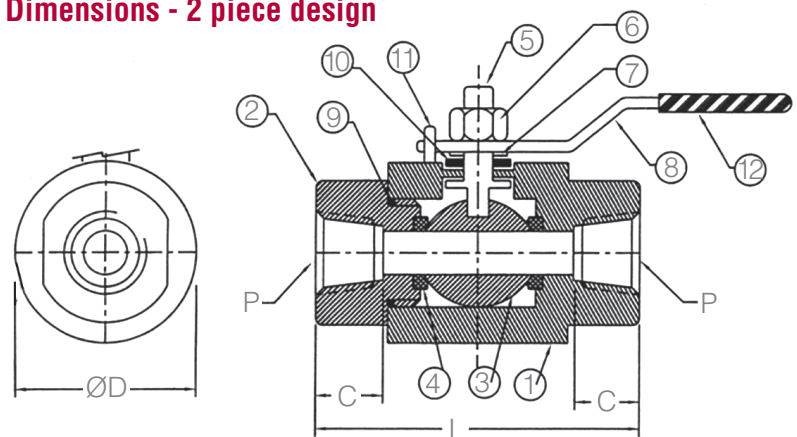
Pressure Ratings at room temperature

- 3000 psi
- 6000 psi
- 10,000 psi

Industry Standards and Testing

- ANSI
- ASME

Dimensions - 2 piece design



Part No.	Part Description	Material	Qty
1	Body	SS316	1
2	Adaptor	SS316	1
3	Ball	SS316	1
4	Seat Ring	PTFE	2
5	Stem	SS316	1
6	Nut	SS304	1
7	Washer	SS316	1
8	Handle	SS304	1
9	O-Ring	BUNA-N	1
10	Gland Seal	PTFE	1
11	Stop Pin	SS304	1
12	Handle Sleeve	PVC	1
P	L +2.0	ØD +2.0	C +1.0
1/4" NPT (F)	58.0	32.0	14.0
3/8" NPT (F)	58.0	32.0	14.0
1/2" NPT (F)	75.0	38.0	19.0
3/4" NPT (F)	80.0	45.0	19.0
1.0" NPT (F)	87.0	55.0	22.0

How to Order					
Model Number	Inlet Size	Inlet Type	Outlet Size	Outlet Type	Pressure
IBV	1 = 1/4"	1 = FNPT	1 = 1/4"	1 = FNPT	3K = 3000 psi
	2 = 3/8"		2 = 3/8"		6K = 6000 psi
	3 = 1/2"		3 = 1/2"		10K = 10000 psi
	4 = 3/4"		4 = 3/4"		
	5 = 1"		5 = 1"		
	6 = 1-1/2"		6 = 1-1/2"		

Standard body material is 316SS