



Series
PVF
&
CPF

PVC and CPVC Flowmeters

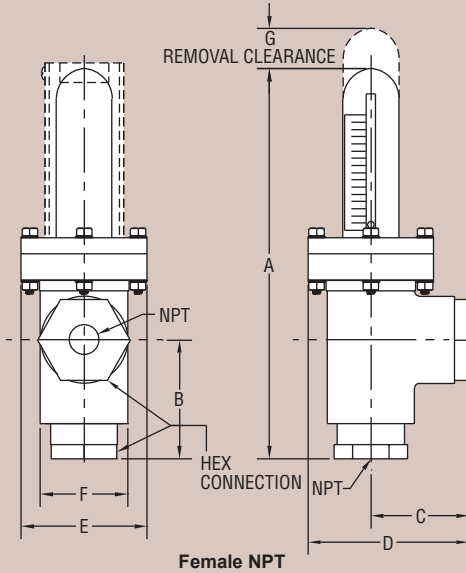
Perfect for Compatible Acids, Caustics and D.I. Water

FLOW

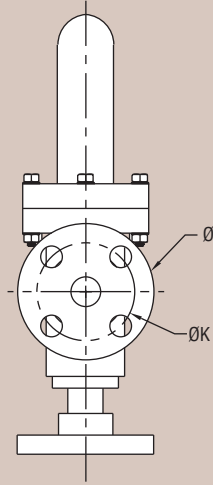
Flowmeters, In-Line



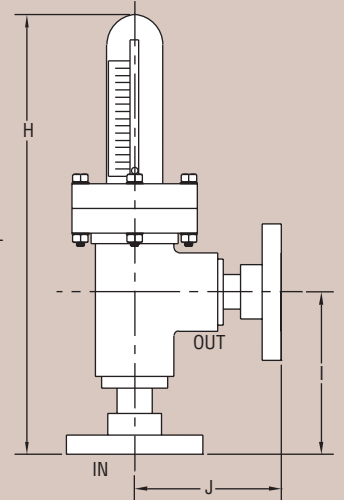
PVF



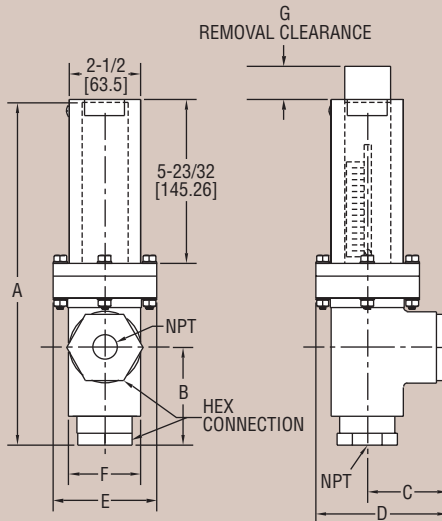
Female NPT



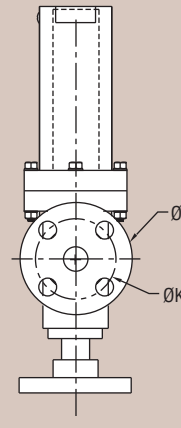
Flange Version



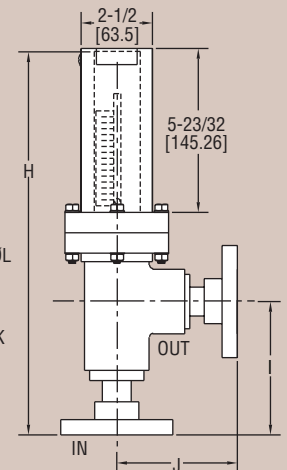
CPF



Female NPT



Flange Version



Standard (NPT)

Range	NPT	A	B	C	D	E	F	G
00/10	3/4"	11-1/32	3-25/64	2-53/64	4-43/64	3-39/64	2-35/64	3
29/40		[280.19]	[86.12]	[71.83]	[118.67]	[91.68]	[64.69]	[76.2]
11/17	1-1/2"	16-15/16	4-1/4	4	6-29/64	5-1/32	3-29/64	5
41/51		[430.21]	[107.95]	[101.6]	[163.91]	[127.79]	[87.71]	[127]
18/22	3"	24-11/32	7-29/32	7-29/32	11-19/32	5-1/32	4-5/16	5
52/56		[618.27]	[200.66]	[200.66]	[294.63]	[127.79]	[109.22]	[127]
23/28	4"	26-43/64	9-13/16	9-13/16	14-9/32	5-7/16	5-7/16	5
57/62		[728.20]	[248.66]	[248.66]	[362.96]	[138.17]	[138.17]	[127]

Optional Flange

Option	Range	Flange	H	I	J	K	L	# of Bolt Holes	Flange Opening Diameter
F1	00/10 29/40	3/4"	12-1/4 [311.65]	4-5/8 [117.6]	4-1/16 [103.38]	2-3/4 [69.85]	3-7/8 [98.55]	4	(1-1/8")
F2	11/17 41/51	1-1/2"	18-5/8 [473.19]	5-15/16 [151.13]	5-11/16 [144.78]	3-7/8 [98.55]	5 [127]	4	(2")
F3	18/22 52/56	3"	22-35/64 [572.64]	6-7/64 [155.18]	6-7/64 [155.18]	7-1/2 [152.4]	6 [190.5]	4	(3-1/2")
F4	23/28 57/62	4"	26-3/8 [669.86]	7-1/2 [190.5]	7-1/2 [190.5]	7-1/2 [190.5]	9 [228.6]	8	(4-1/2")

The Series PVF & CPF Flowmeters are heavy bodied meters for corrosives and high purity fluids. They are economically priced meters ideal for acids or de-ionized water making them suited for water & wastewater treatment facilities. The flowmeters are comprised of all plastic wetted components for maximum corrosion resistance. They have a full-scale accuracy of ±2% and can be disassembled quickly without the meter being removed from the pipeline for easy cleaning. The flowmeters are available with 3/4", 1-1/2", 3", and 4" female NPT connections. Optional flange connections are also available.

SPECIFICATIONS

Service: Compatible gases or liquids.
Wetted Materials: PVF: PVC, fluoroelastomer O-rings; CPF: CPVC, Buna-N O-rings.
Temperature Limits: See operating limits chart.
Pressure Limits: See operating limits chart.
Accuracy: ±2% of full-scale.
Repeatability: ±1/2% of indicated flow rate.
Process Connections: 3/4", 1-1/2", 3", and 4" female NPT.
Weight: 3 lb (1.4 kg) for 3/4", 9 lb (4.1 kg) for 1-1/2", 14 lb (6.4 kg) for 3", and 18 lb (8.2) for 4".

Water Service

Range (GPM Water)	Connection (female NPT)	Model	Model
0.025-0.54	3/4"	PVF-00	CPF-00
0.04-0.80	3/4"	PVF-01	CPF-01
0.06-1.20	3/4"	PVF-02	CPF-02
0.08-1.64	3/4"	PVF-03	CPF-03
0.10-2.60	3/4"	PVF-04	CPF-04
0.15-3.80	3/4"	PVF-05	CPF-05
0.20-5.40	3/4"	PVF-06	CPF-06
0.20-7.00	3/4"	PVF-07	CPF-07
0.20-10.00	3/4"	PVF-08	CPF-08
0.60-15.00	3/4"	PVF-09	CPF-09
0.50-20.0	3/4"	PVF-10	CPF-10
0.50-11.0	1-1/2"	PVF-11	CPF-11
0.70-15.0	1-1/2"	PVF-12	CPF-12
1.00-25.0	1-1/2"	PVF-13	CPF-13
0.50-35.0	1-1/2"	PVF-14	CPF-14
1.00-50.0	1-1/2"	PVF-15	CPF-15
2.00-70.0	1-1/2"	PVF-16	CPF-16
4.00-120	1-1/2"	PVF-17	CPF-17
2.00-50.0	3"	PVF-18	CPF-18
4.00-100	3"	PVF-19	CPF-19
7.00-150	3"	PVF-20	CPF-20
10.0-200	3"	PVF-21	CPF-21
15.0-300	3"	PVF-22	CPF-22
4.00-100	4"	PVF-23	CPF-23
7.00-150	4"	PVF-24	CPF-24
10.0-200	4"	PVF-25	CPF-25
15.0-300	4"	PVF-26	CPF-26
15.0-400	4"	PVF-27	CPF-27
20.0-500	4"	PVF-28	CPF-28

Note: For optional flange connections contact the factory.

Air Service

Range (SCFM Air)	Connection (female NPT)	Model	Model
0.30-7.40	3/4"	PVF-29	CPF-29
0.50-10.2	3/4"	PVF-30	CPF-30
0.70-14.0	3/4"	PVF-31	CPF-31
1.00-20.0	3/4"	PVF-32	CPF-32
1.00-26.0	3/4"	PVF-33	CPF-33
1.00-35.0	3/4"	PVF-34	CPF-34
2.00-50.0	3/4"	PVF-35	CPF-35
3.00-70.0	3/4"	PVF-36	CPF-36
4.00-85.0	3/4"	PVF-37	CPF-37
6.00-125	3/4"	PVF-38	CPF-38
6.00-160	3/4"	PVF-39	CPF-39
4.00-260	3/4"	PVF-40	CPF-40
2.0-40.0	1-1/2"	PVF-41	CPF-41
3.00-70.0	1-1/2"	PVF-42	CPF-42
4.00-100	1-1/2"	PVF-43	CPF-43
5.00-140	1-1/2"	PVF-44	CPF-44
5.00-175	1-1/2"	PVF-45	CPF-45
6.00-250	1-1/2"	PVF-46	CPF-46
2.0-310	1-1/2"	PVF-47	CPF-47
7.50-390	1-1/2"	PVF-48	CPF-48
10.0-510	1-1/2"	PVF-49	CPF-49
35.0-750	1-1/2"	PVF-50	CPF-50
20.0-1000	1-1/2"	PVF-51	CPF-51
30.0-600	3"	PVF-52	CPF-52
40.0-1000	3"	PVF-53	CPF-53
70.0-1750	3"	PVF-54	CPF-54
100.0-2300	3"	PVF-55	CPF-55
150.0-3500	3"	PVF-56	CPF-56
40.0-1000	4"	PVF-57	CPF-57
70.0-1750	4"	PVF-58	CPF-58
100.0-2300	4"	PVF-59	CPF-59
150.0-3500	4"	PVF-60	CPF-60
150.0-4000	4"	PVF-61	CPF-61
200.0-5000	4"	PVF-62	CPF-62

Operating Limits For Series PVF Flowmeters

Maximum Non-Shock Working Pressure, psig @ °F (bar @ °C)					
Body Size and Description	70°F (21°C)	80°F (26°C)	100°F (37°C)	120°F (48°C)	140°F (60°C)
3/4" PVC-NPT connection	250 (17)	255 (15)	150 (10)	90 (6)	50 (3)
1-1/2" PVC-NPT connection	170 (11)	150 (10)	105 (7)	65 (4)	40 (2)
3" and 4" PVC-NPT connection	160 (11)	150 (10)	105 (7)	65 (4)	40 (2)
3/4" PVC-Flange connection	150 (10)	150 (10)	150 (10)	65 (4)	50 (3)
1-1/2" PVC-Flange connection	150 (10)	150 (10)	105 (7)	65 (4)	40 (2)
3" and 4" PVC-Flange connection	150 (10)	150 (10)	105 (7)	65 (4)	40 (2)

Operating Limits For Series CPF Flowmeters

Maximum Non-Shock Working Pressure, psig @ °F (bar @ °C)								
Body Size and Description	70°F (21°C)	80°F (26°C)	100°F (37°C)	120°F (48°C)	140°F (60°C)	160°F (71°C)	180°F (82°C)	210°F (98°C)
3/4" CPVC-NPT connection	270 (19)	270 (19)	250 (17)	200 (10)	150 (10)	130 (9)	80 (6)	50 (3)
1-1/2" CPVC-NPT connection	180 (12)	180 (12)	170 (11)	145 (10)	115 (8)	85 (6)	50 (3)	30 (2)
3" and 4" CPVC-NPT connection	160 (11)	160 (11)	140 (10)	125 (9)	105 (7)	75 (5)	50 (3)	30 (2)
3/4" CPVC-Flange connection	150 (10)	150 (10)	150 (10)	135 (9)	110 (8)	90 (6)	70 (5)	40 (2)
1-1/2" CPVC-Flange connection	150 (10)	150 (10)	150 (10)	135 (9)	110 (8)	90 (6)	70 (5)	40 (2)
3" and 4" CPVC-Flange connection	150 (10)	150 (10)	150 (10)	135 (9)	110 (8)	90 (6)	70 (5)	40 (2)

FLOW
Flowmeters, In-Line