

MODEL VJ

JIS Slip-On - 10k or 20k

DESCRIPTION AND GENERAL PERFORMANCE SPECIFICATIONS

The V-Cone® flowmeter is a patented, differential pressure type flow measurement device. A cone is positioned in the center of the pipe to increase the velocity of the flowing fluid and create a differential pressure. This pressure difference can be measured and used to accurately interpret flowrate. Two taps are provided on every V-Cone to allow sensing of the high and low pressures. A typical V-Cone application can follow these general performance specifications:

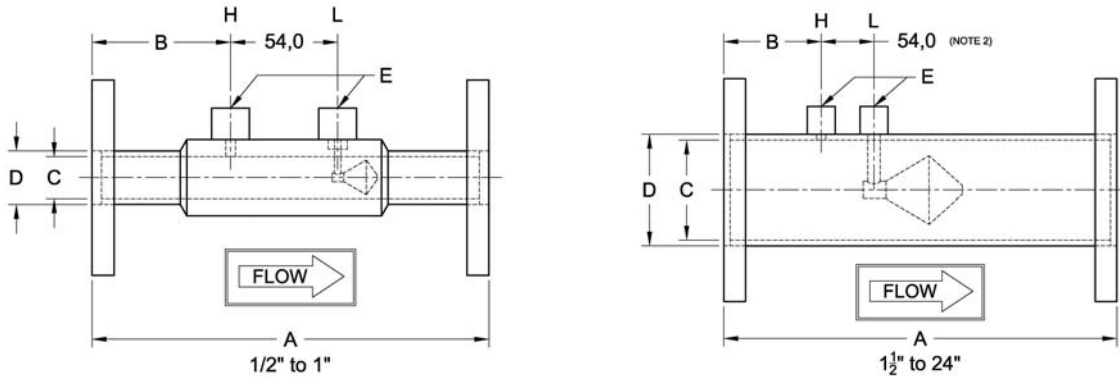
- Accuracy: up to $\pm 0.5\%$ of rate
- Repeatability: $\pm 0.1\%$
- Turndown: 10:1
- Standard Betas: 0.45 through 0.85
- Headloss: Percentage of differential pressure produced varies with beta ratio.
- Installation: Typically 0-3 diameters upstream and 0-1 diameters downstream.

* Each V-Cone is sized for the intended application. Specific performance ratings must be obtained through the sizing process.



The V-Cone is manufactured under a quality management system that is certified to ISO 9001:2008.

MODEL VJ DIMENSIONS



DIMENSION TABLE

Size	A (Note 1)	B	C-Stainless (Note 2)	C-Carbon (Note 2)	D	E (Note 2)
inch	mm	mm	mm	mm	mm	RC
1/2	203	75	15,8	-	21,3	1/4
3/4	203	75	20,9	-	26,7	1/4
1	203	75	26,64	-	33,4	1/4
1 1/2	254	76	41,78	-	48,3	1/4
2	305	89	53,44	-	60,3	1/2
2 1/2	305	89	63,60	-	73,0	1/2
3	356	89	78,84	-	88,9	1/2
4	406	102	103,8	-	114	1/2
6	559	108	154,1	154,1	168	1/2
8	660	127	202,7	202,7	219	1/2
10	711	127	254,5	254,5	273	1/2
12	762	133	304,8	303,3	323	1/2
14	762	152	336,6	333,5	355	1/2
16	762	152	387,4	381,0	406	1/2
18	813	152	438,2	438,2	457	1/2
20	914	152	489,0	489,0	508	1/2
24	1219	254	590,6	590,6	609	1/2

1. Overall length (A) tolerance varies with line size: 1/2" to 1", $\pm 1/16"$ ($\pm 2\text{mm}$); 1 1/2" to 10", $\pm 1/8"$ ($\pm 4\text{mm}$); 12" to 24", $\pm 3/16"$ ($\pm 6\text{mm}$)
2. Typical values shown.
3. Wall pressure ports are required for vertical up flow applications.



CONFIGURATION SHEET

MODEL NUMBER CONFIGURATION VJ

Type	Size	Materials‡		Pipe Schedule	End Connections	Fittings
VJ						
0A	½"	Q	S304	A	10	NPT Socket JIS RC
0B	¾"	L	S304L	B	20	
01	1"	A	S316L	D	Std	Several types of fittings
0C	1½"	N	S304 Tube, Cone, Support & Couplings	E	40	
02	2"		CS Steel Flanges	F	80	
0D	2½"		Flanges painted	J	100	
03	3"		S	CS Tube & Flanges	K	120
04	4"	S304 Cone, Support, & Couplings		L	140	
06	6"	Epoxy Coated Blue (excluding cone)		G	160	
08	8"	U	CS Tube & Flanges	H	XXS	‡Other materials can include: HASTELLOY C-276 S321H DUPLEX 2205 INCONEL 625 CHROMEMOLY P22/P11 MONEL K400/K500 CARBON STEELS A350, A333, API5L, A106B
10	10"		S304 Cone, Support, & Couplings	M	10S	
12	12"		Coating / Painting Per Customer Req.	P	XS	
14	14"					
16	16"					
18	18"					
20	20"					
24	24"					

Example: VJ01QE26J V-Cone 1 inch line size, S304, schedule 40 pipe, JIS 10k, RC ¼" fittings

STANDARD PIPE SCHEDULES

Stainless Steel		Carbon Steel	
Size	Std.	Size	Std.
½" to 10"	E	6" to 16"	E
12" and up	D	18" and up	D

Meters 6" and smaller utilize seamless pipe.
Meters 8" and larger utilize welded pipe.

ABBREVIATIONS

ASME	American Society of Mechanical Engineers		
JIS	Japanese Industrial Standard		
NPT	National pipe taper		
SS	Stainless steel		
CS	Carbon steel	SO	Slip On

Technical questions can be answered through a local representative or through our application engineers.

MANUFACTURING STANDARDS

McCrometer's welders and welding procedures are qualified in accordance with ASME Section IX. All meters are visually inspected for weld defects. Specific customer requirements can be complied with upon request.

The welding can be in accordance with:

- ASME Section VIII
- ASME B31.1
- ASME B31.3

Non-destructive testing can include:

- Hydrostatic Pressure Testing
- Penetrant Examination
- Radiographic Examination
- Positive Material Inspection
- Magnetic Particle Examination

REPRESENTED BY:

