

Optical slot sensors



**SL10 and SL(O)30 series
optical slot sensors**

Wave length

Red 680 nm (SL10 and SL30)
IR (infrared) 890 nm (SLO30)

Adjustment

sensitivity (SL10 and SL30)
light/dark operate¹⁾

Supply

Supply voltage 10...30 V dc
Ripple V_{pp} $\leq 10\%$
No load current ≤ 30 mA

Protection

reverse polarity
transient voltages
short-circuit

Output

Continuous load current ≤ 150 mA
Switching frequency ≤ 500 Hz
 $\leq 1,6$ kHz (...Y)

Material

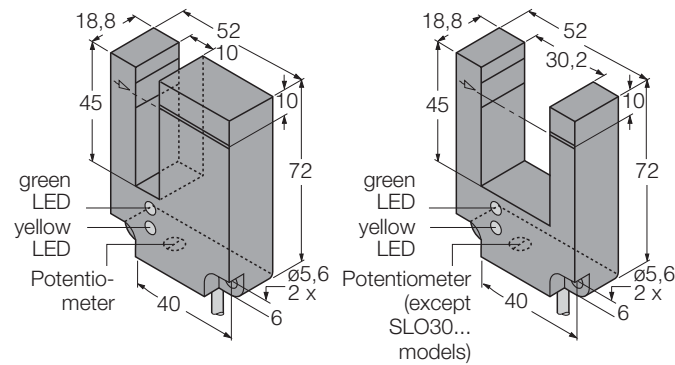
Housing glass-fibre reinforced polyester
Lens acrylic
Protection class IP67
Temperature range $-40...+70$ °C
Cable 2 m, PVC, 5 x 0,5 mm²
Connector eurocon (M12 x 1)

Indicator LED's

Green power-on
Yellow output energised
Yellow flashing low gain

Dimensions [mm]

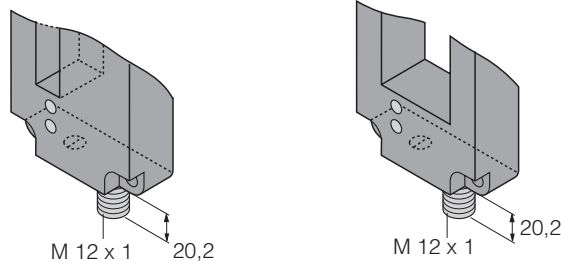
● Cable



SL10...

SL(O)30...

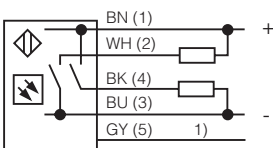
● Connector



SL10...

SL(O)30...

Wiring



¹⁾ light operate: grey connected to "-" or open
dark operate: grey connected to "+"

Accessories

Connector

WAK4.5-2/P00 80 085 76 straight type
WWAK4.5-2/P00 80 085 83 right-angled type

SL10 and SL(O)30 optical slot sensors

	<i>Max. excess gain*</i>	<i>Slot width</i>	<i>Light source</i>	<i>Output function</i>	<i>Connection</i>	<i>Type</i>	<i>Ident number</i>
— Optical slot sensors	350	10 mm	red	pnp, npn	cable	SL10VB6V	30 583 23
	350	10 mm	red	pnp, npn	connector	SL10VB6VQ	30 583 24
	150	10 mm	red	pnp, npn	cable	SL10VB6VY	30 603 67
	150	10 mm	red	pnp, npn	connector	SL10VB6VYQ	30 603 68
	150	30 mm	red	pnp, npn	cable	SL30VB6V	30 565 65
	150	30 mm	red	pnp, npn	connector	SL30VB6VQ	30 565 67
	80	30 mm	red	pnp, npn	cable	SL30VB6VY	30 565 66
	80	30 mm	red	pnp, npn	connector	SL30VB6VYQ	30 565 68
	150	30 mm	IR	pnp, npn	cable	SLO30VB6	30 597 68
	150	30 mm	IR	pnp, npn	connector	SLO30VB6Q	30 597 69
	80	30 mm	IR	pnp, npn	cable	SLO30VB6Y	30 597 71
	80	30 mm	IR	pnp, npn	connector	SLO30VB6YQ	30 597 72

* Excess gain: the amount of light on the receiver over and above the minimum amount of light required to operate the sensor.



These sensors do not include the self-checking redundant circuitry necessary to allow their use in personnel safety applications. A sensor failure or malfunction can result in either an energised or de-energised output condition. These products should not be used as sensing devices for personnel safety.