

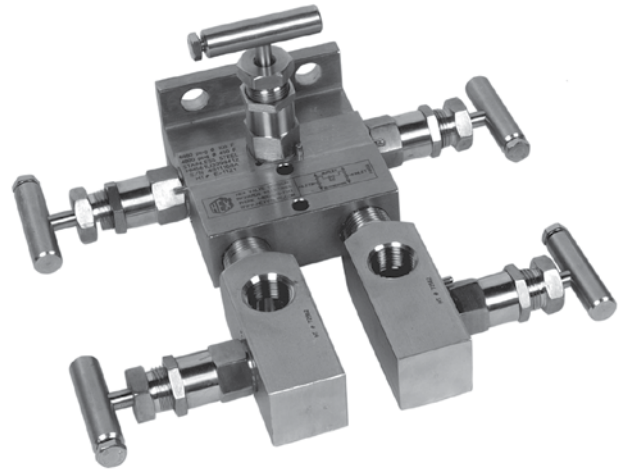
For differential pressure applications, the Hex five valve blowdown manifold performs the block and equalizing functions of a standard three valve manifold and provides two additional block valves to be used for blowdown purposes. To blow down the impulse lines, the block valves on the manifold are closed, and the two blowdown valves are opened, closed, and the two blowdown valves are opened, allowing the impulse lines to be blown out through the ports on the lower side of the blowdown valves.

The design of the HM56 allows the user to install just one compact assembly that eliminates eight nipples, four tees, and two shutoff valves that are required for a conventional blowdown valve installation. In addition, the HM56 incorporates a single flange, which enables the installer to mount the transmitter directly to the mounting flange, thereby eliminating the installation of even more tubing and nipples.

The HM55 is identical to the HM56 except both the process and instrument connections are threaded for in-line installations.

Features and Benefits

- **Reduce costs and installation time:** Use a five valve blowdown manifold in place of the conventional arrangement of nipples, pipes, elbows, tees and gate valves for a single compact, low cost, easy-to-install valve assembly
- **Non-rotating tip (NRT) stem:** Provides tight, repeatable shutoff without the galling or cross scoring that occurs on ball type stems. Because the NRT conical stem tip stops rotating when it contacts the seat, further torque turns the stem, but not the tip, protecting the stem tip from damage
- **Your choice of mounting options:** Choose from line-mounted (HM55) or single flanged (HM56) to match your specific requirements. Also available with Rigid Mount option for ease of instrument mounting
- **Inside rising stem/backseated bonnets:** Prevents accidental stem removal and isolates the packing from the process



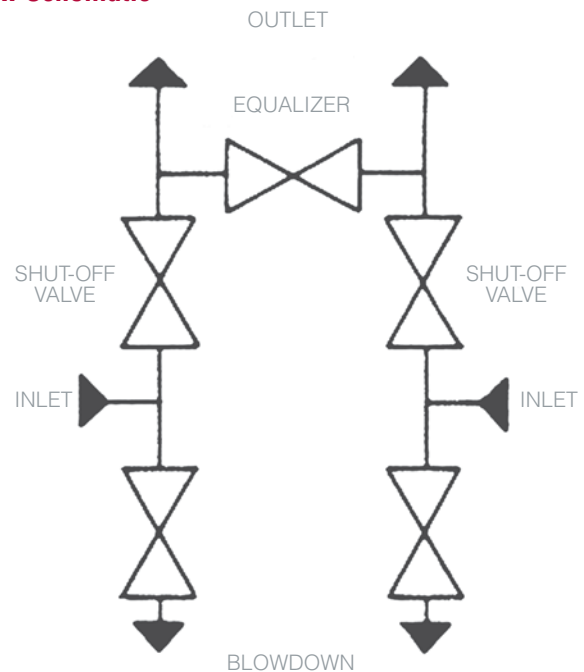
Stem Packing

- Standard: Teflon-Chevron (to 450°F/232°C)
- Optional: Grafoil packing (to 1000°F/538°C)

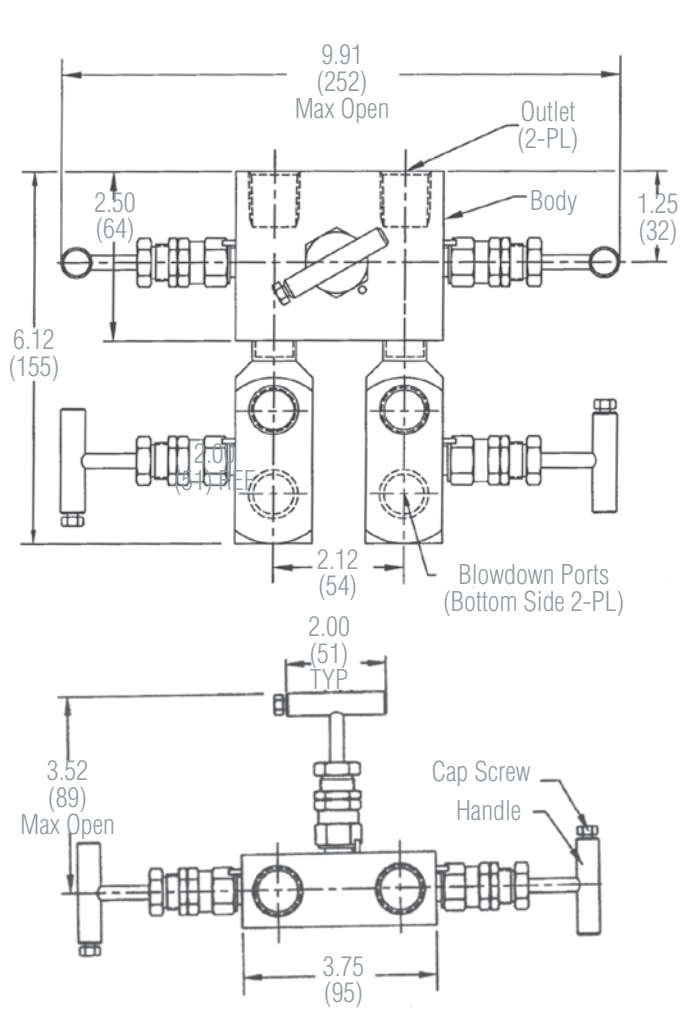
Packing/Temperature Ratings

Carbon Steel	316 Stainless Steel
6580 psig @ 100°F 454 bar @ 38°C	6980 psig @ 100°F 481 bar @ 38°C
4300 psig @ 650°F 296 bar @ 343°C	3525 psig @ 1000°F 243 bar @ 538°C

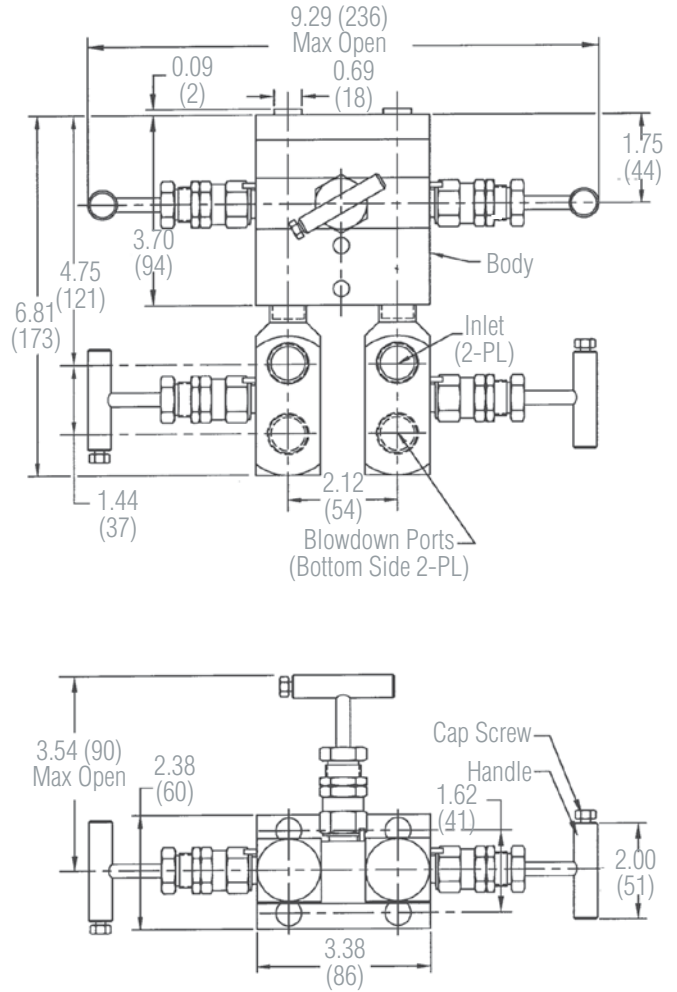
Flow Schematic



Dimensions - HM55



Dimensions - HM56



How to Order							
Model Number	Seat/ Body Configuration	Body Material	Inlet Size/Type	Outlet Size/ Type	Stem/Tip	Seat Material	Packing
HM55	1 = Hard	S = Carbon Steel	33 = 1/2" FNPT	31 = 1/2" FNPT (HM55 only)	2 = 316SS Needle	1 = Integral	2 = TFE - Chevron
HM56		U = Stainless Steel		99 = Flanged (HM56 only)	4 = 316/316SS NRT		3 = Graphite

Sample Ordering Schematic

HM55	1	S	33	31	2	1	2
------	---	---	----	----	---	---	---