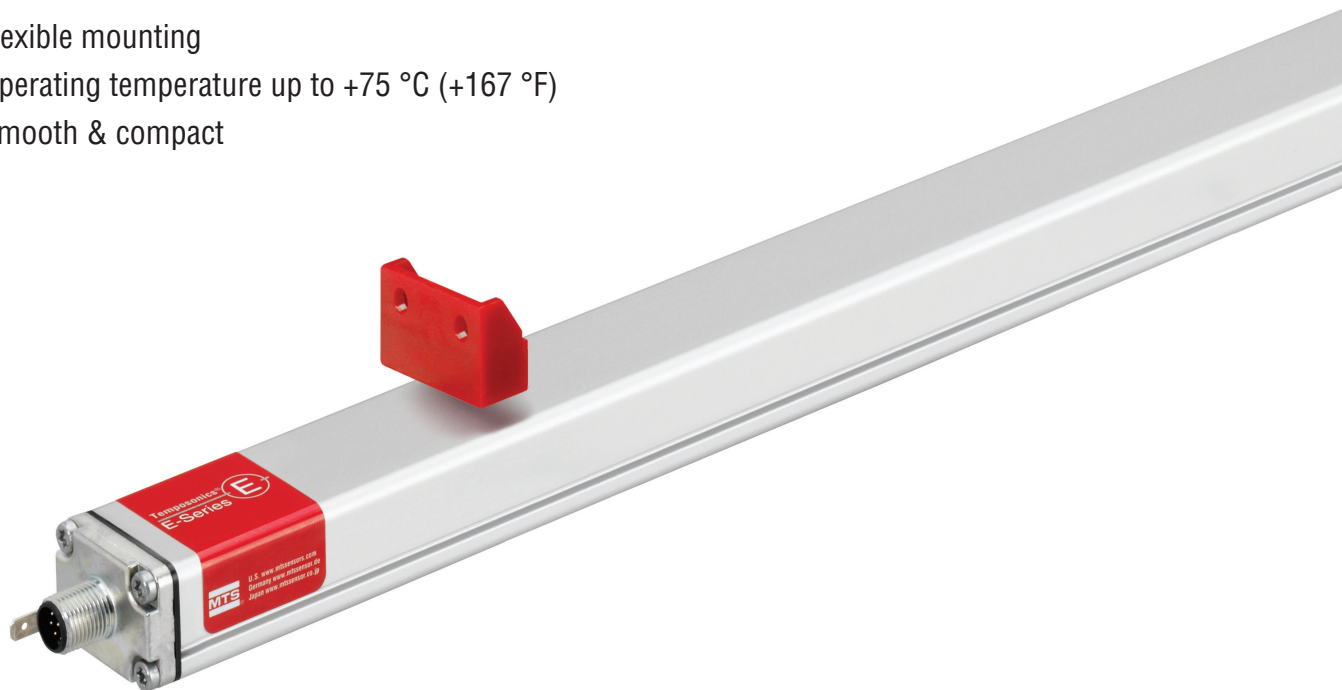


Temposonics®

Magnetostrictive Linear Position Sensors

EP2 IO-Link Data Sheet

- Flexible mounting
- Operating temperature up to +75 °C (+167 °F)
- Smooth & compact



MEASURING TECHNOLOGY

The absolute, linear position sensors provided by MTS Sensors rely on the company's proprietary Temposonics® magnetostrictive technology, which can determine position with a high level of precision and robustness. Each Temposonics® position sensor consists of a ferromagnetic waveguide, a position magnet, a strain pulse converter and supporting electronics. The magnet, connected to the object in motion in the application, generates a magnetic field at its location on the waveguide. A short current pulse is applied to the waveguide. This creates a momentary radial magnetic field and torsional strain on the waveguide. The momentary interaction of the magnetic fields releases a torsional strain pulse that propagates the length of the waveguide. When the ultrasonic wave reaches the end of the waveguide it is converted into an electrical signal. Since the speed of the ultrasonic wave in the waveguide is precisely known, the time required to receive the return signal can be converted into a linear position measurement with both high accuracy and repeatability.

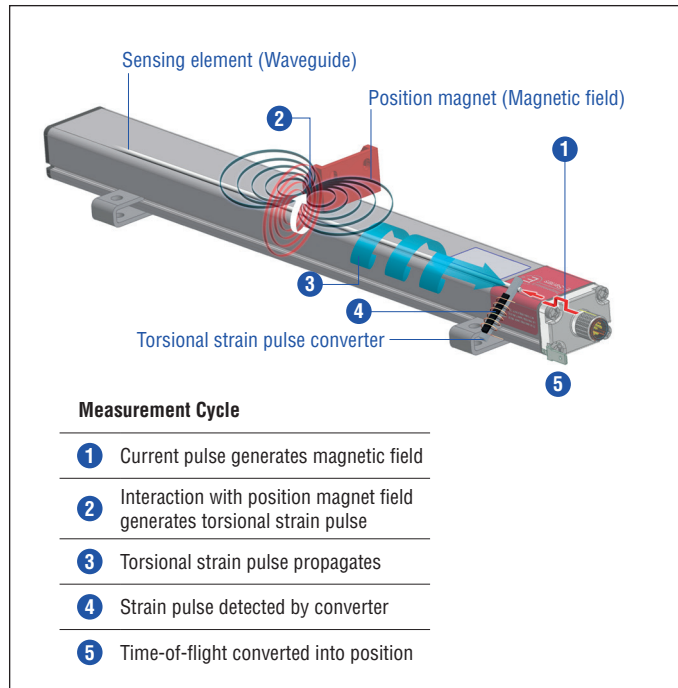


Fig. 1: Time-of-flight based magnetostrictive position sensing principle

EP2 SENSOR


Robust, non-contact and wear free, the Temposonics® linear position sensor provide high durability and precise position measurement feedback in harsh industrial environments. Measurement accuracy is tightly controlled by the quality of the waveguide manufactured exclusively by MTS Sensors.

The compact and smooth aluminum profile offers flexible mounting options and easy installation. Moreover, the position magnet can travel along the entire flat housing profile. The EP2 is ideal for industrial applications including plastics molding and processing, factory automation and packaging. Temposonics® EP2 with IO-Link allows customers to adjust parameters including measuring direction, resolution or offset. In addition, a switching state can be outputted in parallel to the transfer of the position value. The switching points as well as the switching logic can be parameterized. IO-Link is an open standard according to IEC 61131-9. It is a serial, bi-directional point-to-point connection for signal transmission and energy supply. The bi-directional communication enables consistent communication between sensors and the controller as well as consistent diagnostic information down to the sensor level.



Fig. 2: Plastic granulate for injection molding or extrusion

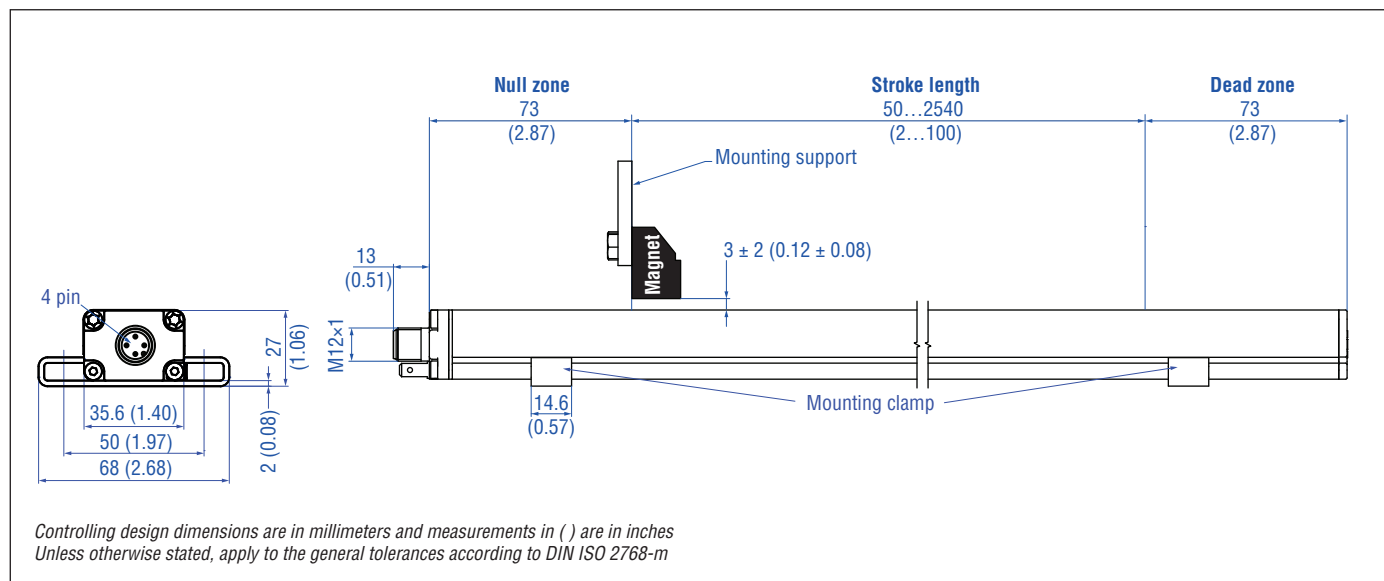
TECHNICAL DATA

| Output | |
|---------------------------------|---|
| Interface | Digital |
| Transmission protocol | IO-Link V1.1 |
| Data format | 32 bit signed (position in μm) |
| Data transmission rate | COM3 (230.4 kBaud) |
| Process data device – master | 4 bytes |
| Process data master – device | 0 bytes |
| Error value | 0 |
| Measured value | Position |
| Measurement parameters | |
| Resolution ¹ | 5 μm , 10 μm , 20 μm , 50 μm or 100 μm |
| Cycle time | minimum 1 ms (master dependent) |
| Linearity | $\leq \pm 0.02$ % F.S. (minimum ± 90 μm) |
| Repeatability | $\leq \pm 0.005$ % F.S. (minimum ± 20 μm) |
| Operating conditions | |
| Operating temperature | -40...+75 °C (-40...+167 °F) |
| Humidity | 90 % rel. humidity, no condensation |
| Ingress protection ² | IP67 (if mating cable connector is correctly fitted) |
| Shock test | 100 g (single shock) IEC standard 60068-2-27 |
| Vibration test | 8 g / 10...2000 Hz IEC standard 60068-2-6 (resonance frequencies excluded) |
| EMC test | Electromagnetic emission according to EN 61000-6-3 Electromagnetic immunity according to EN 61000-6-2 The sensor meets the requirements of the EC directives and is marked with  . |
| Magnet movement velocity | Any |
| Design / Material | |
| Sensor lid | Zinc die-cast |
| Sensor profile | Aluminum |
| Stroke length | 50...2540 mm (2...100 in.) |
| Mechanical mounting | |
| Mounting position | Any |
| Mounting instruction | Please consult the technical drawings and the brief instructions (document number: 551684) |
| Electrical connection | |
| Connection type | M12 (4 pin) male connector |
| Operating voltage | +24 VDC (± 25 %) |
| Ripple | ≤ 0.28 V _{pp} |
| Current consumption | < 50 mA |
| Dielectric strength | 500 VDC (DC ground to machine ground) |
| Polarity protection | Up to -30 VDC |
| Overvoltage protection | Up to 36 VDC |

1/ Selectable via IO-Link master


2/ The IP rating IP67 is only valid for the sensors electronics housing, as water and dust can get inside the profile.


TECHNICAL DRAWING

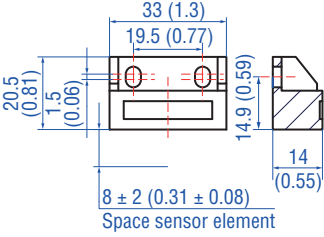
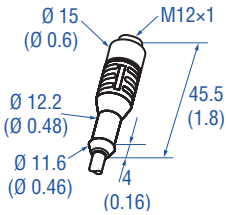
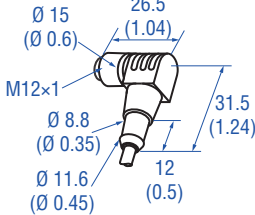
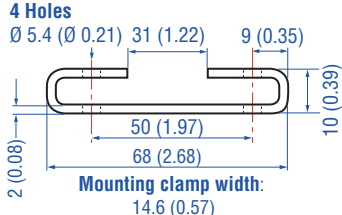


CONNECTOR WIRING

D44

| M12 A-coded | Pin | Function |
|--|-----|-----------------|
|  | 1 | +24 VDC (±25 %) |
| | 2 | DI/DQ |
| | 3 | DC Ground (0 V) |
| | 4 | C/Q |

FREQUENTLY ORDERED ACCESSORIES – Additional options available in our [Accessories Guide](#)  [551444](#)

| Position magnet | Cord sets | Cord sets | Mounting clamp |
|---|---|---|---|
|  |  |  |  |
| <p>Block magnet L Part no. 403 448</p> | <p>M12 (5 pin) female, straight Part no. 370 673</p> | <p>M12 (5 pin) female, angled Part no. 370 675</p> | <p>Mounting clamp Part no. 403 508</p> |
| <p>Material: Hard ferrite Weight: Ca. 20 g Operating temperature: –40...+75 °C (–40...+167 °F) Fastening torque for M4 screws: 1 Nm</p> | <p>Ingress protection: IP67 Cable: Shielded, pigtail end Cable length: 5 m (16.4 ft.)</p> | <p>Ingress protection: IP67 Cable: Shielded, pigtail end Cable length: 5 m (16.4 ft.)</p> | |

Controlling design dimensions are in millimeters and measurements in () are in inches

ORDER CODE

| | | | | | | | | | | | | |
|---|---|---|---|---|---|---|---|---|----|----|----|----|
| 1 | 2 | 3 | 4 | 5 | 6 | 7 | 8 | 9 | 10 | 11 | 12 | 13 |
| E | P | 2 | | | | | | D | 4 | 4 | 1 | K |
| a | | | b | | | | | c | | | d | e |

| | | | | | | | | | | | | |
|----------|---------------------|---|----------------|--|--|--|--|--|--|--|--|--|
| a | Sensor model | | | | | | | | | | | |
| E | P | 2 | Smooth profile | | | | | | | | | |

| | | | | | | | | | | | | |
|----------|----------------------|---|---|---|-------------------|--|--|--|--|--|--|--|
| b | Stroke length | | | | | | | | | | | |
| X | X | X | X | M | 0050...2540 mm | | | | | | | |
| X | X | X | X | U | 002.0...100.0 in. | | | | | | | |

Standard stroke length (mm)*

| Stroke length | Ordering steps |
|-----------------|----------------|
| 50 ... 500 mm | 25 mm |
| 500 ... 2540 mm | 50 mm |

Standard stroke length (in.)*

| Stroke length | Ordering steps |
|---------------|----------------|
| 2 ... 20 in. | 1.0 in. |
| 20...100 in. | 2.0 in. |

| | | | | | | | | | | | | |
|----------|------------------------|---|----------------------------|--|--|--|--|--|--|--|--|--|
| c | Connection type | | | | | | | | | | | |
| D | 4 | 4 | M12 (4 pin) male connector | | | | | | | | | |

| | | | | | | | | | | | | |
|----------|--------------------------|--|--|--|--|--|--|--|--|--|--|--|
| d | Operating voltage | | | | | | | | | | | |
| 1 | +24 VDC (±25 %) | | | | | | | | | | | |

| | | | | | | | | | | | | |
|----------|---------------|--|--|--|--|--|--|--|--|--|--|--|
| e | Output | | | | | | | | | | | |
| K | IO-Link | | | | | | | | | | | |

DELIVERY



- Sensor
- 2 mounting clamps up to 1250 mm (50 in.) stroke length
+ 1 mounting clamp for each 500 mm (20 in.) additional stroke length

Accessories have to be ordered separately.

Operation manuals & software are available at:
www.mtssensors.com

* / Non standard stroke lengths are available; must be encoded in 5 mm / 0.1 in. increments

Document Part Number:
551831 Revision A (EN) 05/2016

Image reference
Fig. 2: © fotos4u - Fotolia.com

LOCATIONS

USA
MTS Systems Corporation
Sensors Division
3001 Sheldon Drive
Cary, N.C. 27513, USA
Tel. +1 919 677-0100
Fax +1 919 677-0200
info.us@mtssensors.com
www.mtssensors.com

JAPAN
MTS Sensors Technology Corp.
737 Aihara-machi,
Machida-shi,
Tokyo 194-0211, Japan
Tel. +81 42 775-3838
Fax +81 42 775-5512
info.jp@mtssensors.com
www.mtssensors.com

FRANCE
MTS Systems SAS
Zone EUROPARC Bâtiment EXA 16
16/18, rue Eugène Dupuis
94046 Creteil, France
Tel. +33 1 58 4390-28
Fax +33 1 58 4390-03
info.fr@mtssensors.com
www.mtssensors.com

GERMANY
MTS Sensor Technologie
GmbH & Co. KG
Auf dem Schüffel 9
58513 Lüdenscheid, Germany
Tel. +49 2351 9587-0
Fax +49 2351 56491
info.de@mtssensors.com
www.mtssensors.com

CHINA
MTS Sensors
Room 504, Huajing Commercial Center,
No. 188, North Qinzhou Road
200233 Shanghai, China
Tel. +86 21 6485 5800
Fax +86 21 6495 6329
info.cn@mtssensors.com
www.mtssensors.com

ITALY
MTS Systems Srl
Sensor Division
Via Camillo Golgi, 5/7
25064 Gussago (BS), Italy
Tel. +39 030 988 3819
Fax +39 030 982 3359
info.it@mtssensors.com
www.mtssensors.com

LEGAL NOTICES

MTS, Temposonics and Level Plus are registered trademarks of MTS Systems Corporation in the United States; MTS SENSORS and the MTS SENSORS logo are trademarks of MTS Systems Corporation within the United States. These trademarks may be protected in other countries. All other trademarks are the property of their respective owners. Copyright © 2016 MTS Systems Corporation. No license of any intellectual property rights is granted. MTS reserves the right to change the information within this document, change product designs, or withdraw products from availability for purchase without notice. Typographic and graphics errors or omissions are unintentional and subject to correction. Visit www.mtssensors.com for the latest product information.

ISO 9001
CERTIFIED



IO-Link