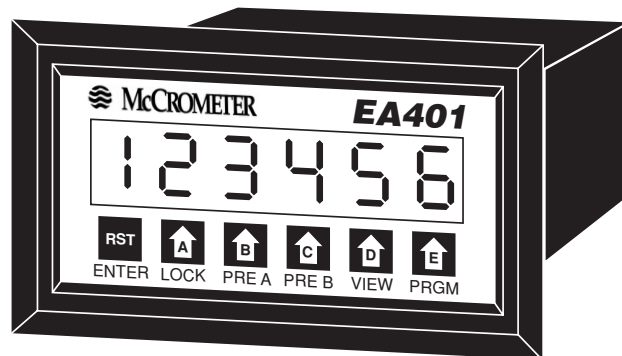


EA401

Totalizer/Ratemeter with Separate Scaling of Rate/Total

Features

- DC Pulse Input
- Separate Scaling Factors For Rate & Total
- Display Rate & Total
- Count Inhibit Input
- Security Lockout
- Batching Capability
- NEMA 4X / IP65 Front Panel
- 4-20mA Analog Output
- CSA Approved



DESCRIPTION:

The CSA Approved non-integrated totalizer and ratemeter each have their own 5 digit dividing scale factor. The two 5 AMP preset relay outputs can be programmed by the user to apply to the "A" total counter or the "A" ratemeter. The user can view the rate, total and grand total. The B relay can be used to create a scaled pulse output.

SPECIFICATIONS:

DISPLAY: 6 digit, 0.55" High LED

INPUT POWER:

110 VAC \pm 15% or 12 to 15 VDC

CURRENT: 6.5 VA AC

OUTPUT POWER (AC powered units only)

+12 VDC @ 50 mA, unregulated -10 + 50%

TEMPERATURE:

Operating:

+32°F (0°C) to +130 F (+54°C)

Storage:

-40 F (-40°C) to +200°F (93°C)

MEMORY: EEPROM stores data for 10 years if power is lost.

INPUTS:

High Impedance DC pulse input 4-30 VDC (high), Open or 0-1 VDC (low), 10 K. imp. 10 kHz max. speed.

RESET:

Front Panel: Resets displayed total value and control output.

Remote: 4-30 VDC (75-240 V AC/DC, Input 8) negative edge resets total and relay control output.

NOTE: The remote reset does not reset the grand total.

LISTING: CSA (File No. LR91109), UL Pending

K FACTOR/SCALING:

The K-Factors are used to convert the input pulses to engineering units. The 5 digit K-Factor dividers, with decimal keyed into any position, allow easy direct entry of any K-Factor from 0.0001 to 99999. Separate factors may be entered for rate and total.

CONTROL OUTPUTS:

Relays:

2 each N.O. Relay; 5 Amps 120/240 VAC or 28 VDC.

(N.C. relay contacts and NPN transistor output available with solder jumpers.)

Analog Output:

The 4-20mA Analog output can be programmed

to track rate or total. Connections are

via a 2 terminal pluggable screw connector.

Programming is accomplished by using the front panel in conjunction with rear dip switches.

Accuracy: \pm 0.25% FS

Compliance Voltage: 3 to 30 VDC non inductive.

PRESETS:

Two control outputs are provided. The A and B outputs can be assigned to the rate alarm

(high/low), or for total/grand total. A 5 digit value can be entered

for both presets A and B. The decimal point location is the same

as the counter. The outputs can be set to energize from 0.1 to

99.9 seconds or latch (0.0). If a value other than 0.0 is entered,

the corresponding totalizer will auto reset at the preset. This

may be used to create a relay scaled pulse output.

HOUSING:

Standard 1/8 DIN, high impact ABS plastic case (NEMA 4x/IP 65 front panel, bezel mount).

LOCKOUT:

Unauthorized front panel changes can be prevented by

entering a user selected 5 digit code, in the "LOC" mode.

The front panel can be completely locked out or the presets

can remain accessible.

RATEMETER

Accurate to 4 1/2 digits (±1 display digit). The ratemeter can be programmed to:

- accept almost any number of pulses per unit of measurement
- sample from 2 to 24 seconds maximum
- auto-range up to 5 digits of significant information.

The display can be programmed to read in units per Second, Minute, Hour, or Day.

TOTALIZER:

The two 6-digit totalizers can count at 10kHz speed. They share a 5-digit dividing scale factor. The totalizer advances on the positive edge of each pulse.

WIRING:

1- COMMON
 2- N.O.(N.C./NPN)
 3- COMMON
 4- N.O.(N.C./NPN)
 5- RATE / TOTAL INPUT
 6- INHIBIT TOTAL INPUT
 7- 12VDC OUT/+DC IN
 8- -DC (GROUND)
 9- RESET INPUT
 10- NOT USED
 11- A.C. INPUT
 12- A.C. INPUT

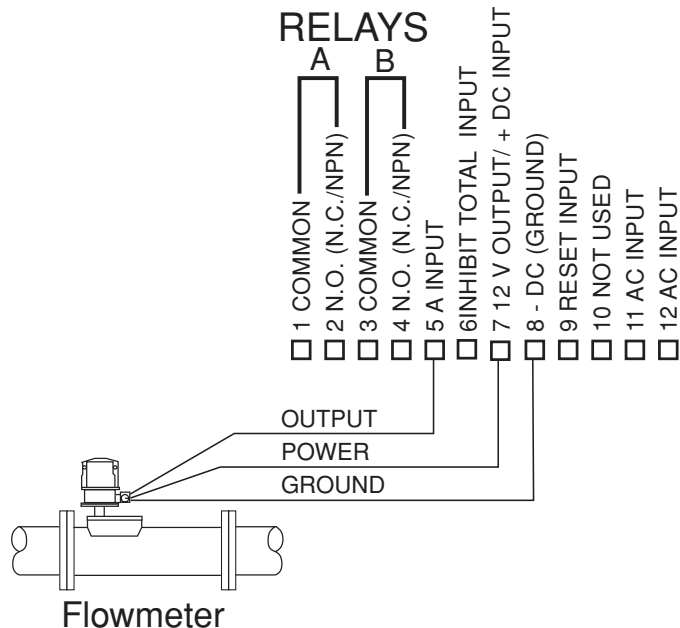
13- V+
 14- I SINK

RELAYS A B
ANALOG OUTPUT

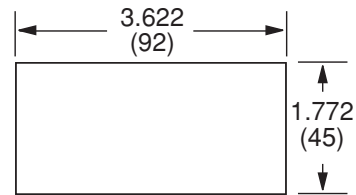
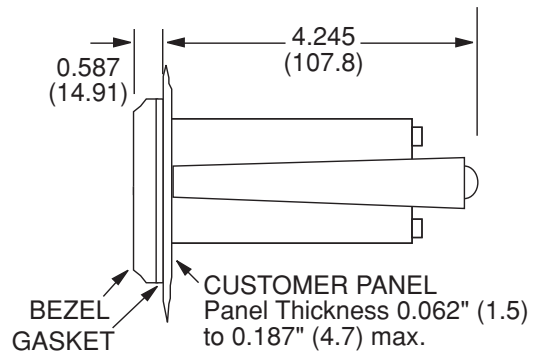
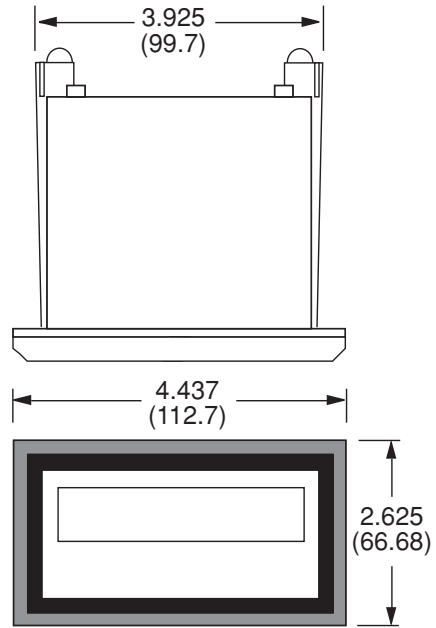
SWITCH	OFF	ON
1	RUN	CAL.
2	4-20mA	0-20mA
3	RATE	TOTAL
4	RUN	SET

NO |
ON

TYPICAL HOOKUP:



Dimensions:



Ordering Information

SERIES:

EA401-00 Totalizer/Ratemeter

Power Input : 110 VAC ± 15% or 12 to 15 VDC

Input: Standard, 4-30 VDC inputs, from McCrometer pulse transmitters (E7000, E7500, E8000, EA550, EA630) and digital registers (R0900, RE100) with pulse output options.

Output: Two Relay or NPN transistor pulse outputs and one 4-20mA analog output.