

MultiHop

Rev. A 5/28/2013
151317



MultiHop	()	45	
Modbus		46	
12 ~ 24V DC	MultiHop	46	
	MultiHop	FlexPower	47
.....			48	
.....			48	
Banner Engineering Corp		48	

MultiHop

MultiHop

MultiHop

MultiHop

- 가
- 가
- 가

가

가

가
가
MultiHop
MultiHop

가

가

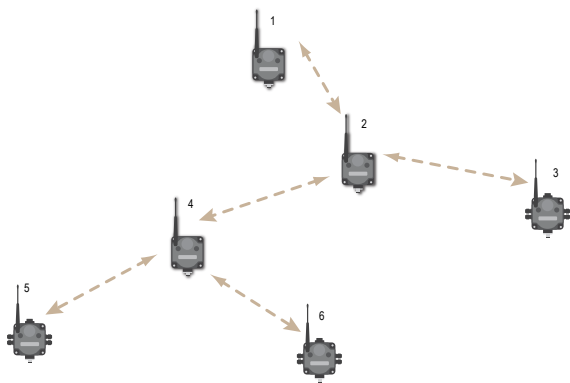
가

가

가

가

가



- 1 2()
- 2() 1()
- 3() 4()
- 4() 2()
- 5 6()

LCD (DADR)가 (PADR)

MultiHop

MultiHop

MultiHop

MultiHop

MultiHop

MultiHop

MultiHop

()

MultiHop

MultiHop

Modbus

DIP

MultiHop

Modbus

Modbus

RF

가

MultiHop

가 Modbus

Modbus

가

Modbus

Modbus

Modbus

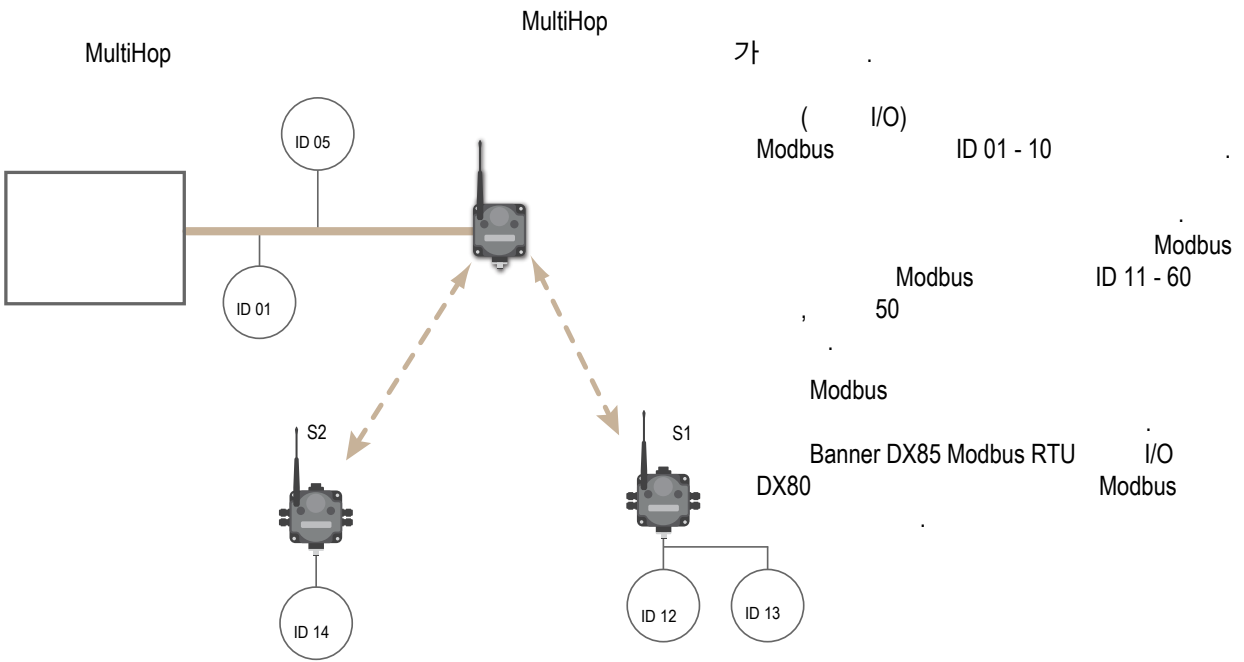
가

ID

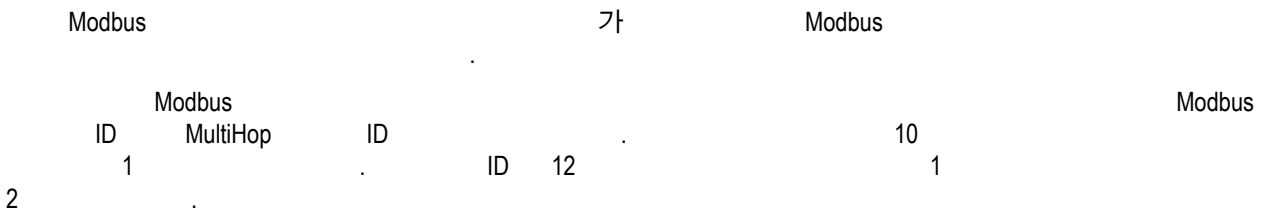
Modbus

Modbus

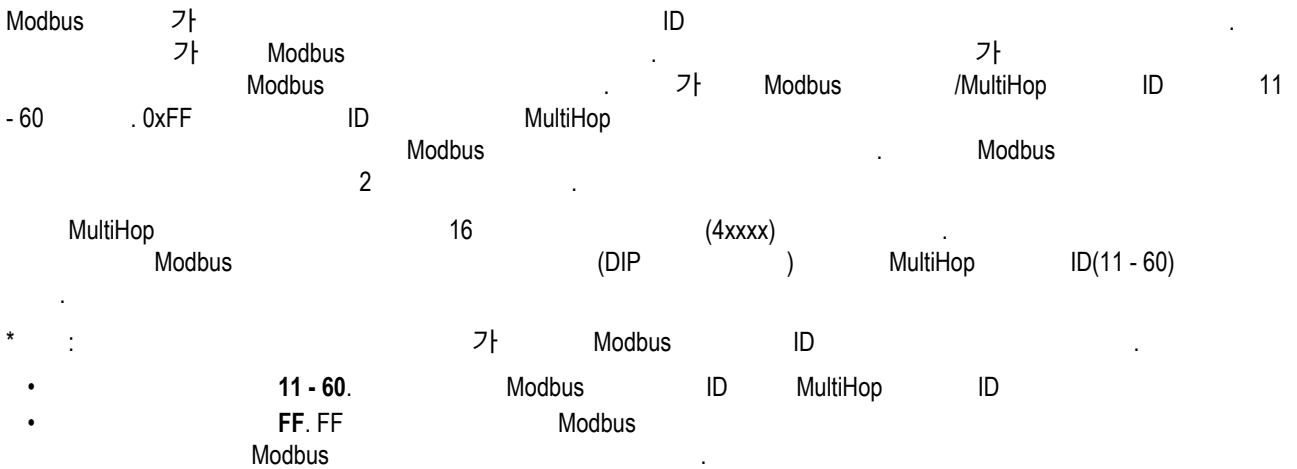
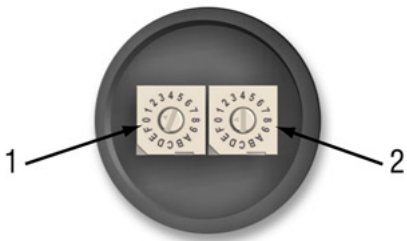
Modbus

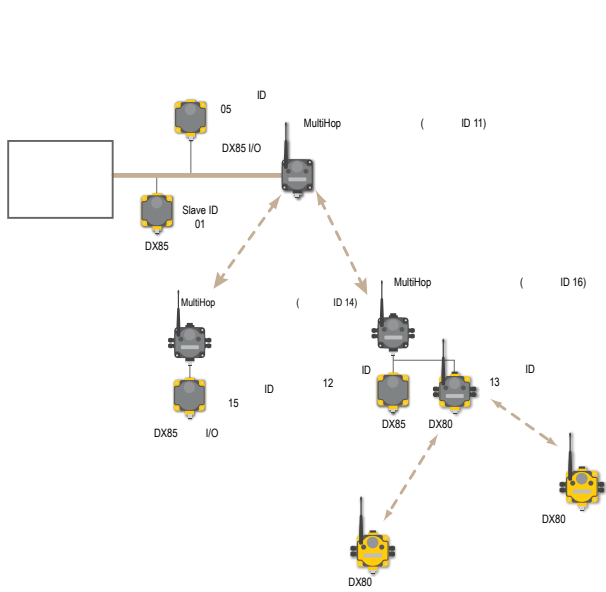


MultiHop



SureCross





MultiHop

I/O Modbus 05

01, DX85 MultiHop

DX85 I/O Modbus 가

. Modbus

01 - 10

. Modbus

11 - 60

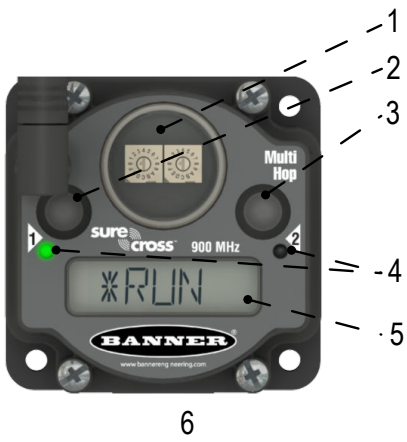
MultiHop

Modbus

MultiHop

MultiHop

가



1 . Modbus Modbus ID
 . (.)
 2 1. . (MultiHop .)
 .)
 3 2. .
 4 LED 1 2. RF ,
 5 LCD .6 / 가
 6 5 M12 . (.)
 .)

MultiHop

1. MultiHop DIP 가 DIP DIP
2. MultiHop 가 I/O
- 3.
4. MultiHop MultiHop () ID MultiHop
- 5.
6. LED 가
7. Multihop
- 8.

MultiHop

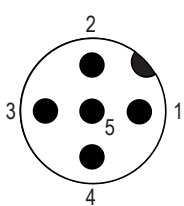
1. MultiHop ID 4 DIP
- 2.
3. / / DIP Multi-
4. DIP
5. 가 DIP (DIP Modbus
6. MultiHop DIP

MultiHop

DC FlexPower 5.5V

FlexPower Multihop SPx DC 10 - 30V

	DC 10 - 30V(RS-485)	FlexPower(RS-485)	FlexPower(RS-232)
--	---------------------	-------------------	-------------------



1	DC 10 - 30V	DC 10 - 30V	DC 10 - 30V
2	RS-485/D1/B/+	RS-485/D1/B/+	RS-232 Tx
3	DC (GND)	DC (GND)	DC (GND)
4	RS-485/D0/A/-	RS-485/D0/A/-	RS-232 Rx
5	-	DC 3.6 - 5.5V	DC 3.6 - 5.5V

MultiHop () ID

MultiHop

MultiHop

ID

(I/O)

Modbus

ID 01 - 10

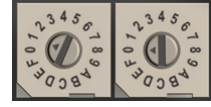
MultiHop

50

(

Modbus

ID 11 - 60



01 - 60

MultiHop

ID

MultiHop

MultiHop

MultiHop

MultiHop

MultiHop

가
가

가

LCD

*DVCFG

, -BIND

MultiHop

1.

MultiHop
2m

MultiHop

2. MultiHop

MultiHop

2

2

1

2 LED/

LED 가

LED 가

LCD

*BINDNG and *MASTER 가

LED/

3. MultiHop

MultiHop

2

2

1

가

LED 가 4

LED 가

4

가

M-GAGE

LED

가

(

)

/

가

4.

5. MultiHop 가

MultiHop

2

2

1

가

가

가

SureCross

가

가

가
가

"
"가"

가 2m

LED

LED

		2 /		1 /LED
		LED 1	LED 2	LED
1		-) (
2	/ 가		-	(3 1)
3	가 / 가		-	
4	/ 가	-		
5	/ 가	-		
6	/ 가		-	
7	/ 가 RUN			
	/	-		

LED

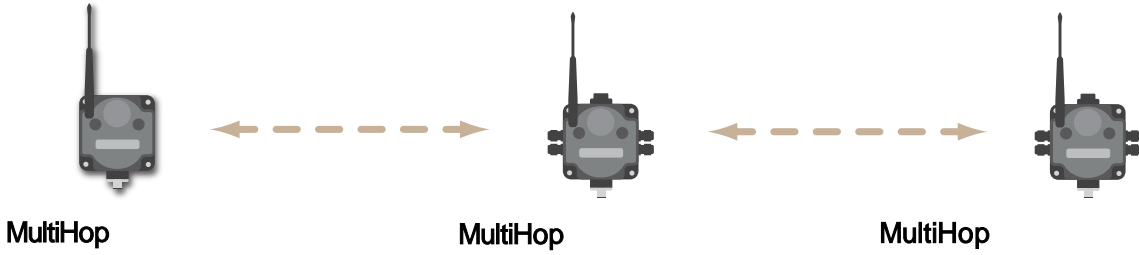
LED

		2 /		1 /LED
		LED 1	LED 2	LED
1		-		
2	가 RUN		-	
		-		

MultiHop

MultiHop (LCD)

가



1. MultiHop *SITE 가
 2. : CHLDRN PARENT 가
 3. MultiHop
 MultiHop
 *RUN
 PARENT CHLDRN 가 *RUN
 PARENT CHLDRN
 LED 1 (G, Y, R, M) (%) . M (%) 가 G, Y
 GRN = GREEN (%) . 가 ; YEL = YELLOW ; RED = RED GREEN ; MIS =
2. LED 가 LCD 가
 2
 1
4. 가
 LED 1 LED 2 가 RF
 ()
 (G, Y, R, M) (%) . M (%) 가 G, Y
5. 1 2 4 2

6. 가 가²

MultiHop

가 ()가 가 LCD

가

-
-
-
-

가 15dB 가 (.)

40%

가 ID

LED 가 LCD 가
가

SureCross®

가

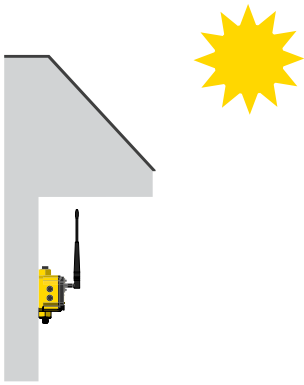
SureCross

2

SureCross 2 가



2



-
-
-

가

2

가

-
-

가

가
가

가
Banner

SureCross

1/2" NPT

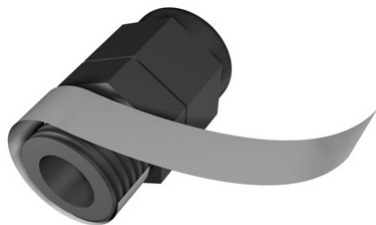
가
(

BWA-HW-031)



NPT

PTFE



1. PTFE(4-8)

)

가

가

2. 가

5in-lbf

가

PG-7

PG-7

1. PTFE() 가 가 4-8

2. 10in-lbf 가

* 가 가

NPT

1/2" NPT NPT :

1. PTFE 12-16

2.

3. 9/16" 가 가

SureCross
가

* 가

가

가 100g

가

가

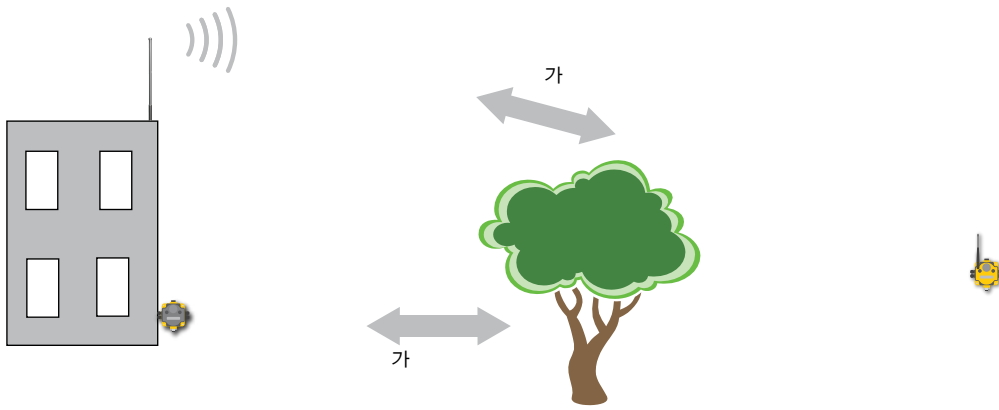
가 , Banner p/n 132113

가

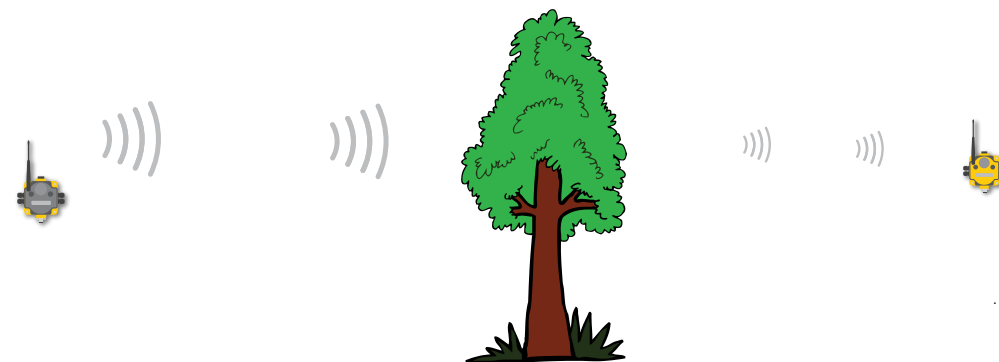
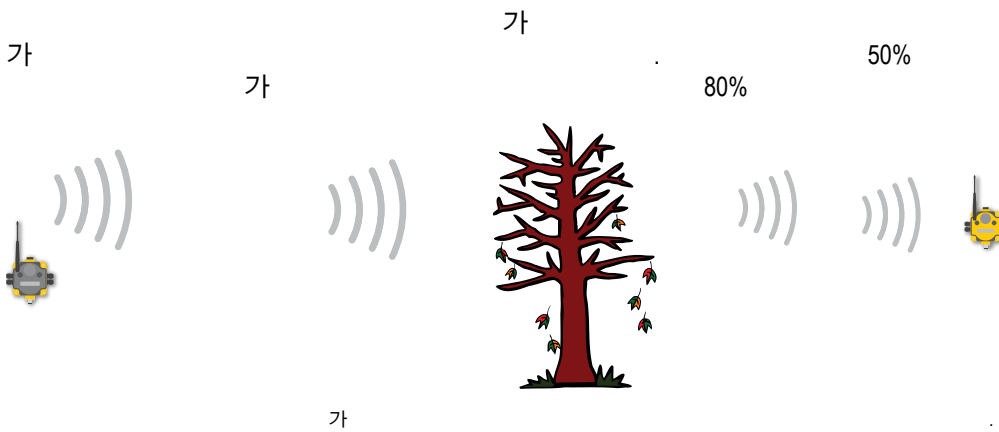
RF
Cross

Sure-

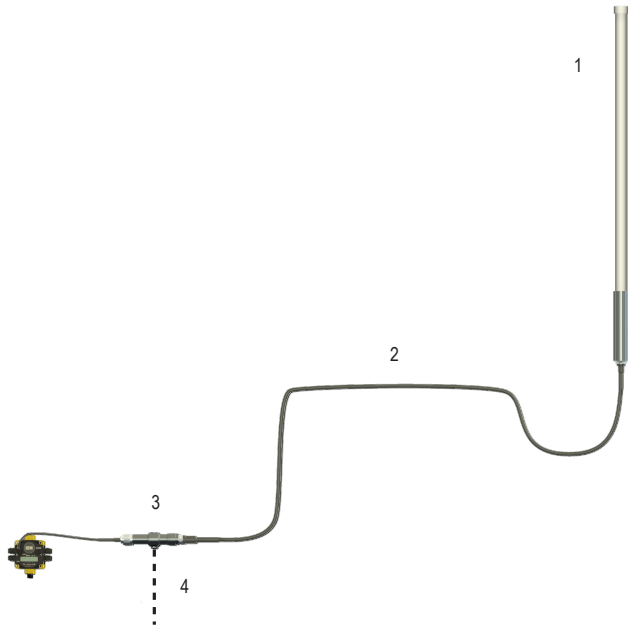
가



가 가 2m

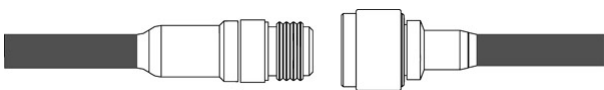


가 가 가 가

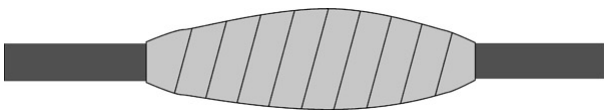


1	
2	
3	
4	

I/O / VFD(Variable Frequency Drives) DX80
Banner Engineering Corp.



1: 가



2: 1



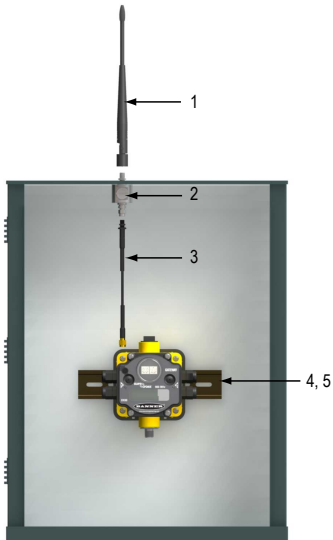
3: 가

UV

1

가 가 가 가 가
 SureCross® SureCross

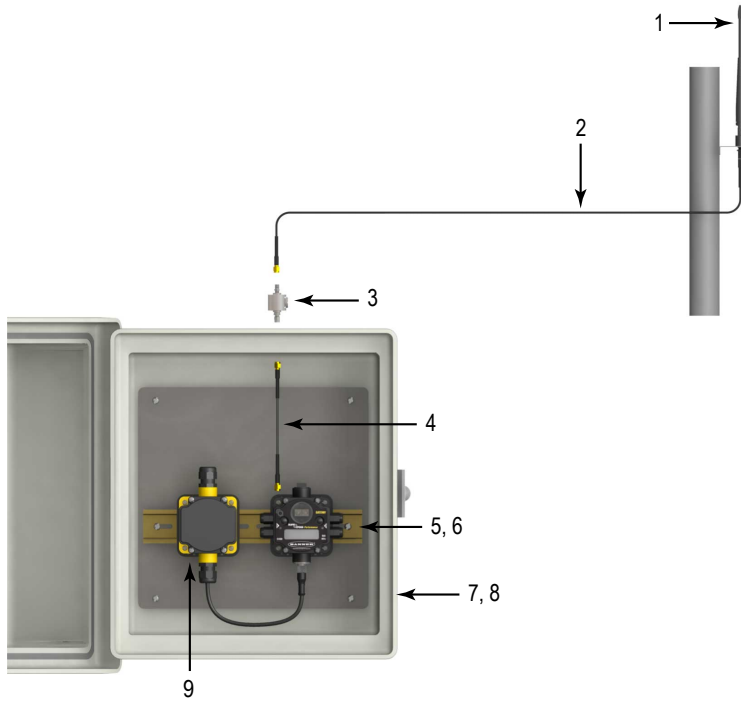
SureCross 가 **RP-SMA**



1	BWA-902-C	, , 902-928MHz, 2dBd,	, RP-SMA MALE
	BWA-202-C	, , 2.4GHz, 2dBd,	, RP-SMA MALE
	BWA-205-C	, , 2.4GHz, 5dBd,	, RP-SMA MALE
	BWA-207-C	, , 2.4GHz, 7dBd,	, RP-SMA MALE
2	BWC-LMRSFRPB	, , RP-SMA	, 900MHz/2.4GHz
3	BWC-1MRSFRSB02	RG58 , RP-SMA TO RP-SMA Female	, 0.2m
	BWC-1MRSFRSB1	RG58 , RP-SMA TO RP-SMA Female	, 1m
	BWC-1MRSFRSB2	RG58 , RP-SMA TO RP-SMA Female	, 2m
	BWC-1MRSFRSB4	RG58 , RP-SMA TO RP-SMA Female,	, 4m
4	DIN-35-105	DIN , 105mm	, 35mm
5	SMBDX80DIN	DX70 DX80	DIN

SureCross 가 **RP-SMA**

Yagi



1	BWA-902-C		, 902-928MHz, 2dBd,	, RP-SMA MALE
	BWA-905-C		, 902-928MHz, 5dBd,	, RP-SMA MALE
	BWA-202-C		, 2.4GHz, 2dBd,	, RP-SMA MALE
	BWA-205-C		, 2.4GHz, 5dBd,	, RP-SMA MALE
	BWA-207-C		, 2.4GHz, 7dBd,	, RP-SMA MALE
2	BWC-1MRSFRSB02	RG58	, RP-SMA TO RP-SMA Female	, 0.2 m
	BWC-1MRSFRSB1	RG58	, RP-SMA TO RP-SMA Female	, 1 m
	BWC-1MRSFRSB2	RG58	, RP-SMA TO RP-SMA Female	, 2m
	BWC-1MRSFRSB4	RG58	, RP-SMA TO RP-SMA Female,	, 4m
3	BWC-LMRSFRPB		, RP-SMA	, 900MHz/2.4GHz
4	BWC-1MRSFRSB02	RG58	, RP-SMA TO RP-SMA Female	, 0.2 m
	BWC-1MRSFRSB1	RG58	, RP-SMA TO RP-SMA Female	, 1 m
	BWC-1MRSFRSB2	RG58	, RP-SMA TO RP-SMA Female	, 2m
	BWC-1MRSFRSB4	RG58	, RP-SMA TO RP-SMA Female,	, 4m
5	DIN-35-105	DIN	, 105mm	, 35mm
6	SMBDX80DIN		., DIN	, DX80
7	BWA-EF14128		, 14"x 12" x 8"	
8	BWA-PA1412		, 14" x 12"	
9 *	DX81	DX81 FlexPower		
	DX81P6	DX81P6 FlexPower		6

*

MultiHop

DC +12 - 24V

가

DX80
DX81 DX81P6 FlexPower
DC +12 - 24V

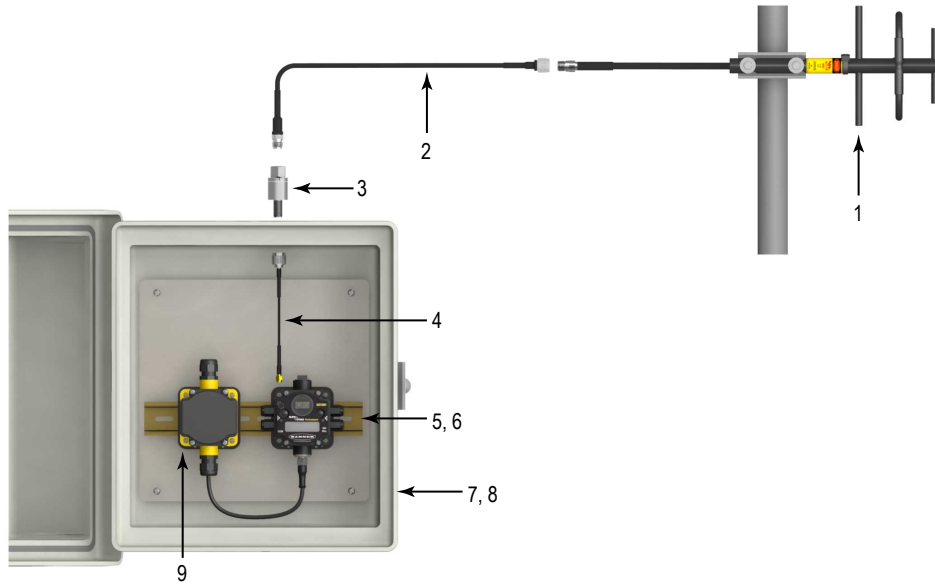
DX70

DX70

FlexPower

SureCross N-가

Yagi

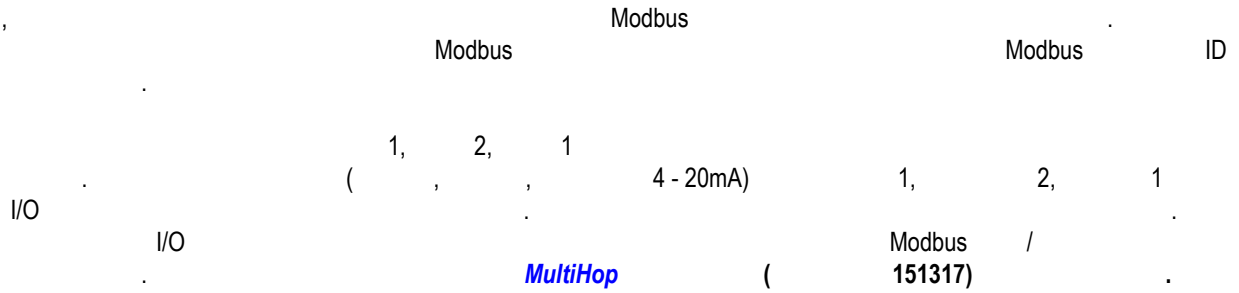


1	BWA-9Y6-A	, Yagi, 900MHz, 6.5dBd, N Female
	BWA-9Y10-A	, Yagi, 900MHz, 10dBd, N Female
	BWA-9O6-A	, , 900MHz, 6dBd, , N Female
	BWA-9O5-B	, , 900MHz, 5dBd/7.2dBi, , N Female
	BWA-2O8-A	, , 2.4GHz, 8.5dBd, N Female, 24"
	BWA-2O6-A	, , 2.4GHz, 6dBd, N Female, 16"
2	BWC-4MNFN3	LMR400 , N-Male ~ N-Female, 3m
	BWC-4MNFN6	LMR400 , N-Male ~ N-Female, 6m
	BWC-4MNFN15	LMR400 , N-Male ~ N-Female, 15m
	BWC-4MNFN30	LMR400 , N-Male ~ N-Female, 30m
3	BWC-LFNBMN-DC	, , N- , 900MHz/2.4GHz, DC
4	BWC-1MRSMN05	LMR200 , RP-SMA ~ N-Male, 0.5m
	BWC-1MRSMN2	LMR200 , RP-SMA ~ N-Male, 2m
5	DIN-35-105	DIN , 105mm , 35mm
6	SMBDX80DIN	, DIN , DX80
7	BWA-EF14128	, 14"x 12" x 8"

8	BWA-PA1412	, 14" x 12"
9 *	DX81	DX81 FlexPower
	DX81P6	DX81P6 FlexPower 6

* MultiHop DC +12 - 24V 가 DX80 DX70
DX81 DX81P6 FlexPower FlexPower
DC +12 - 24V DX70

Modbus



00000s

1 - 16 1 - 16

MultiHop

00400s 가

401 - 500 가 1 - 100

MultiHop

00500s

501 - 516 1 - 16

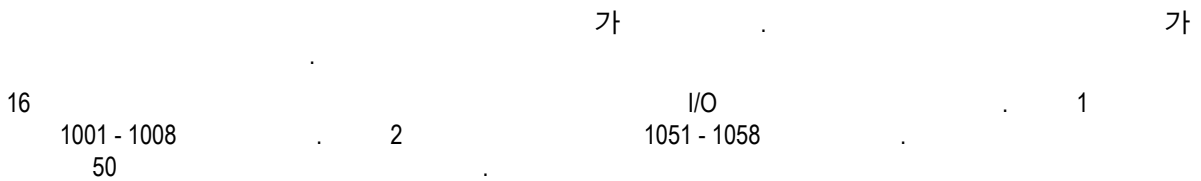
MultiHop

00900s 가

901 - 1000 가 1 - 100

MultiHop

01000s



(4xxxx)								
1	2	3	4	5	6	7	8	9
1001	1051	1101	1151	1201	1251	1301	1351	1401
1002	1052	1102	1152	1202	1252	1302	1352	1402
1003	1053	1103	1153	1203	1253	1303	1353	1403
1008	1058	1108	1158	1208	1258	1308	1358	1408

1 0

가 가

Modbus () () 가 Modbus 32 (125(900MHz)

) 5 (125 x .040 = 5) .900MHz 40
 . 2.4GHz 20
 () ()

1xx4 - 1xx7.

가
 16 1004 - 1007 2 I/O 1
 50 1054 - 1057

(4xxxx)								
1	2	3	4	5	6	7	8	9
1004	1054	1104	1154	1204	1254	1304	1354	1404
1005	1055	1105	1155	1205	1255	1305	1355	1405
1006	1056	1106	1156	1206	1256	1306	1356	1406
1007	1057	1107	1157	1207	1257	1307	1357	1407

가 0x000F 가 4
 가 1 가 2-4 0
 가 가 1-4
 가
 MultiHop

- 0x0 -
- 0x1 - SP1
- 0x2 - SP2
- 0x3 - SP1 SP2
- 0x4 - SP3
- 0x8 - SP4
- 0xC - SP3 SP4



0V	255
5V	204
7V	125
10V	69
15V	32
20V	12
24V	03

가 가
 .900MHz 40 . 2.4GHz 20

(4xxxx)				
IN 1	IN 2	IN 3	IN 4	
3007	3027	3047	3067	
3008	3028	3048	3068	
3009	3029	3049	3069	

3xx8

100ms

3xx9

0

1

0

1

가 " " (

PNP 0

NPN.

PNP()

1

NPN()

0

1 - 255

(1) (1 - 255)

0

1 - 255

(0) (1 - 255)

03300s

1

1 - 3301

2

3321

20

(4xxxx)				
IN 1	IN 2	IN 3	IN 4	
3301-3320	3321-3340	3341-3360	3361-3380	
3301	3321	3341	3361	
3302	3322	3342	3362	
3303	3323	3343	3363	
3304	3324	3344	3364	C/F
3305	3325	3345	3365	
3306	3326	3346	3366	
3307	3327	3347	3367	
3308	3328	3348	3368	
3309	3329	3349	3369	
3310	3330	3350	3370	
3311	3331	3351	3371	
3312	3332	3352	3372	
3313	3333	3353	3373	
3314	3334	3354	3374	
3315	3335	3355	3375	

가

RTD

(4xxxx)				
IN 1 3301-3320	IN 2 3321-3340	IN 3 3341-3360	IN 4 3361-3380	
3304	3324	3344	3364	C/F
3305	3325	3345	3365	
3306	3326	3346	3366	
3307	3327	3347	3367	

C/F. 1 0()

() RTD (1/10) ()
0 1

가

. DX80 (× 20)가 1 가 20.5
1/10 (× 10) 0()
1 410 .0

205

B

(0)



0	B	5	J	10	P
1	C	6	K	11	R
2	D	7	L	12	S
3	E	8	M	13	T
4	G	9	N	14	U

03500s

가

1
3521 - 3525

3501 - 3505

2
20

(4xxxx)	
IN 1	
3501	/
3502	
3503	
3504	
3505	

3504() 3505() 32

MultiHop

/ () (Hz) 0 1(PNP)
1
0 가 0

3505 1 0 Modbus 3504

03600s H-

H-

H- 1 H- 3604 - 3609 H- 20 H- 3624 - 3629

H- (4xxxx)	
H- 1	
3604	H-
3605	H-
3606	H-
3607	H-
3608	H-
3609	H-

H- H- (1) (0) SDI-12 H-

H- .40

H- 가 H- ON OFF

		DO4	DO3	DO2	DO1	SP4	SP3	SP2	SP1
3607	(ON)	0	0	1	0	0	0	0	1
3608	(OFF)	0	0	0	1	0	0	1	0

H- H- 40 H-

H- 가 Banner Engineering Corp

가 가

03600s

FlexPower (SP)

5, 10 15V (4 -

20mA 가

가

SP 1

3601 - 3603
20

SP 2

3621 - 3623

(4xxxx)			
SP1	SP2	SP3	SP4
3601	3621	3641	3661
3602	3622	3642	3662
3603	3623	3643	3663

(SP#) . " " . SP



0V	255	15V	32
5V	204	20V	12
7V	125	24V	03
10V	69		

I/O .0 가 .1 가

1
0

03700s

1

3701 - 3703
20

2

3721 - 3723

(4xxxx)			
OUT 1	OUT 2	OUT 3	OUT 4
3701	3721	3741	3761
3702	3722	3742	3762
3703	3723	3743	3763

0 1

가

1

0

04000s

1

4001 - 4005
20

2

4021 - 4025

가 M-GAGE M-GAGE
 4502 (0000). 0 X , 1 Y , 2 가 Z
 1
 4503 1
 4504 1
 4505 T0 - T6 가
 T0 T6
 ()

()			()	
T0	0		T4	4
T1	1		T5	5
T2	2		T6	6
T3	3			

4506 가 가
 0 1 - 255
 (1) (1 - 255)

4507 0 1 - 255
 (0) (1 - 255)

4509

4510 4511 M-GAGE™ ON OFF
 OFF 가 (ON)
 10% - 20%

M-GAGE 0 - 65,535
 150 30 (가 - 150
 - 30 = 120 OFF)
 LSB(Lowest Significant Bit) M-GAGE OFF (ON "1" Modbus)
 Modbus LSB "0"

가 150 , 가 15 , 250 M-GAGE
 200

4512 () 가

4513 ()

4514 ()

4521 . x-, y- z-

4522 [x] . X

4523 [y] . Y

4524 [z] . Z

4525 [x] . X

4526 [y] . Y

()			()	
T2	2		T6	6
T3	3			

06050s

).
 가 MultiHop
 3.6V DC 10 ~ 30V DC 4.2V DC
6051 0
 1
6052
 () = 0.040 × 2^RegValue. : 9(20).
6053 44061 0 1
 100mA 38(3.8V)
6054
 0 . 3.0V PCB Vcc 0 . 3.3V PCB Vcc 1
6061 . 0 6053 (10 ~ 30V DC).
). 1
6062 . 100mV

11000s SDI-12

SDI-12 A SDI-12 B SDI-12
 . SDI-12 ID A B
11001 A SDI-12 SDI-12 SDI-12 11001
11201 B SDI-12 SDI-12 SDI-12 11201
 SDI-12 0 ~ 9, 'a' ~ 'z' 'A' ~ 'Z'
 ASCII SDI-12 0 ASCII 0x30
11002 A SDI-12 M! . C! 1
11202 B SDI-12 M! . C! 1

SDI-12

SDI-12 9 가 SDI-12
 SDI-12 (A) 11011 Modbus
 20 20 Modbus SDI-12 SDI-12
 Modbus 11011 Mod-
 bus 11021
 SDI-12 (B) 11211 SDI-12
 200

SDI-12 A (4xxx)					
					16 32
1	11011	11012	11013	11014	11015
2	11021	11022	11023	11024	11025
3	11031	11032	11033	11034	11035
4	11041	11042	11043	11044	11045
5	11051	11052	11053	11054	11055
6	11061	11062	11063	11064	11065
7	11071	11072	11073	11074	11075
8	11081	11082	11083	11084	11085
9	11091	11092	11093	11094	11095

16 32 .16 0 32 1
 .SDI-12 0~7
 0 1
 (1) (0)
 1 0

Configuration Examples

SP3

IN

1: 3

1 5

Modbus

- (reg 1202, 1203): 1 15
- (reg 1204): 3
- (reg 1205):
- (reg 1206):
- : 15 (900)
- : 0x4
- : 1
- : 15V

Modbus		
1202	0	
1203	22,500	40ms = 22,500 . 900 ÷ 0.040
1204	4	3

Modbus		
1205	25	$\frac{1}{.1} \div 0.040 = 25$ 40ms
1206	32	15V

Acclima SDI-12

Acclima SDI-12

SDI-12	(Acclima)	(1)	(0-7)	(0) (1)	(1) (0)	16 32 (0) (1)
1		ON	2			32
2		ON	1			32
3		ON	2			32
4		ON	2			32

Acclima		(:)			
1		11101:11102	×100	0:124	1.24%
2		11103:11104	×10	0:238	23.8 °C
3		11105:11106	×100	0:402	4.02
4		11107:11108	×100	0:123	1.23dS/m

Decagon 5T3 SDI-12

Decagon 5T3 SDI-12

SDI-12	(Decagon	(1)	(0-7)	(0) (1)	(1) (0)	16 32 (0) (1)
--------	----------	-----	-------	------------	------------	------------------------

5T3)		(1)	(0-7)	(0) (1)	(1) (0)	16 32 (0) (1)
1		ON	2			32
2		ON	2			32
3		ON	1			32

Decagon		(:)			
1		11101:11102	×100	0:124	1.24%
2		11103:11104	×100	0:123	1.23dS/m
3		11105:11106	×10	0:238	23.8 °C

P (ASCII) 가 16

(4xxxx)	(16)	(10)
6401	0x002A	42
6402	0x0023	35

Device and System Parameters

08200s

	MultiHop 가	가	0
1. 8201			
2. 8201	8221(1) ~ 8236(16)	1	
8201	8221 ~ 8236		
8201	1-16 ()		2
	0000 0000 0001 0001 (0x0011)		1 5
8221	1	1	1
8221	2	2	1
...			
8236	16	16	1

가

SureCross

가

가	900MHz(150mW)	900MHz(250mW)	900MHz(1W)	2.4GHz(65mW)
				X
				X
	X			X
				X
				X
				X
가				X
	X	X	X	X
				X
				X
	X			X
				X
				X
				X
				X
				X
				X
				X
				X
				X
				X
				X
	X	X		X
가				X
				X
				X
				X
				X*
				X
				X
				X
				X
				X
				X

MultiHop

가 - 900MHz

Banner Engineering

9dBm

9dBm

가

50

EIRP(가)

SureCross

가

FCC , 900MHz, 1W

DX80 FCC 15

FCC ID: UE3RM1809 FCC 15 가 (1)

(2)

FCC

: FCC 2.1091 가 FCC

: SAR

: FCC ID 가 2

. FCC ID: UE3RM1809 가

FCC 15 B

TV (가 가)

-
-
-
-

/TV

: 1 A 가 Reverse Polarity SMA 가

. OEM

FCC 15.203() 15.247(

가)

FCC

: 20cm

DX80



0

BWA-901-x	, 1/4	,	≤2dBi	0
BWA-902-C	, 1/2	,	≤2dBi	0
BWA-906-A		,	≤8.2dBi	2.2dB
BWA-905-B			≤7.2dBi	1.2dB
BWA-9Y10-A	Yagi		≤10dBi	4dB

FCC , 2.4GHz

DX80 FCC 15 ..

FCC ID: UE300DX80-2400 FCC 15 가
(1) (2)

FCC

: DX80 FCC 2.1091 가 FCC

: DX80

SAR

: FCC ID

. FCC ID: UE300DX80-2400

가 2

FCC 15 B

TV (가 가)

-
-
-
-

/TV

: OEM 1 A 가 Reverse Polarity SMA
가

15.247(가)

FCC 15.203()

FCC

: 20cm

DX80

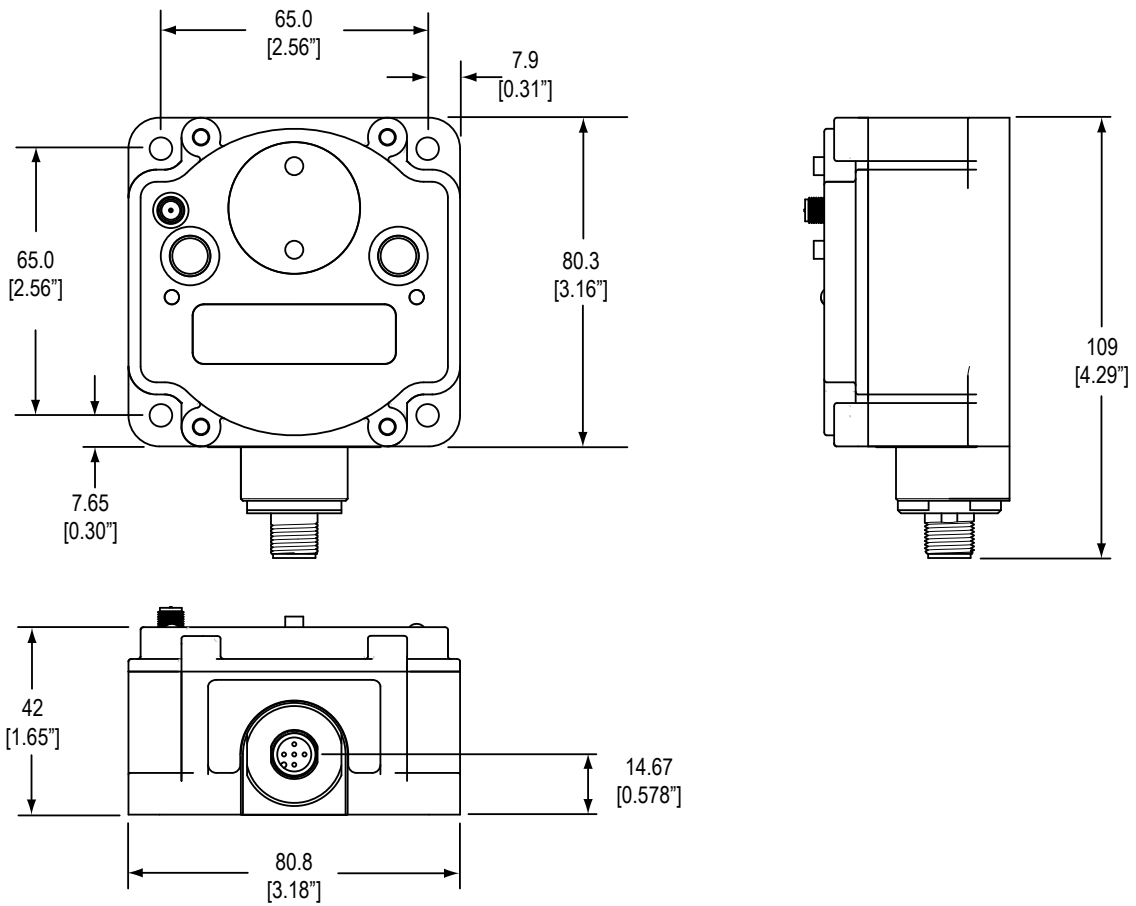


BWA-202-C , 1/2 , ≤2dBi

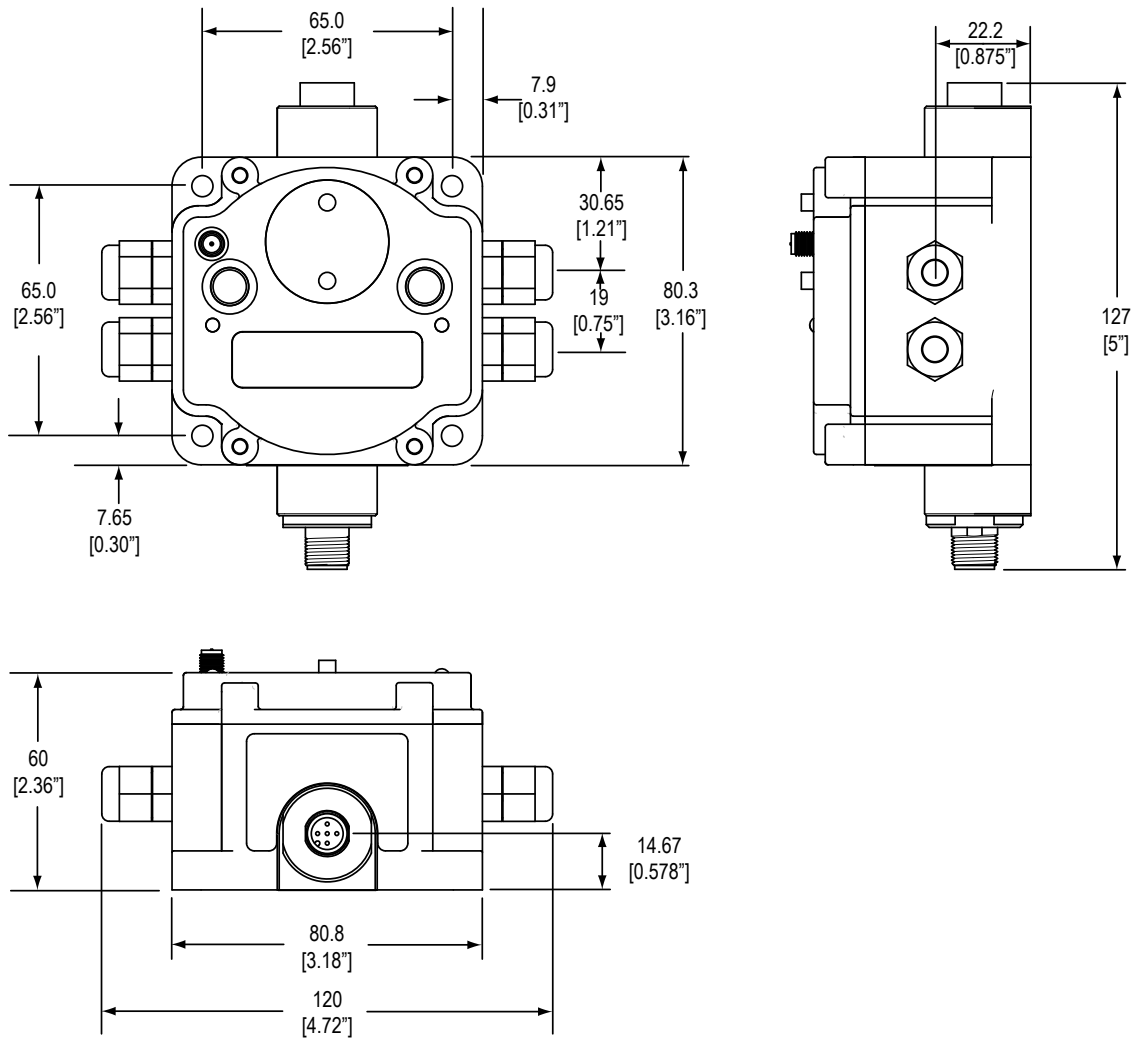


BWA-205-C	,	,	≤5dBi
BWA-207-C	,	,	≤7dBi

MultiHop



I/O 가 MultiHop



Advanced Setup

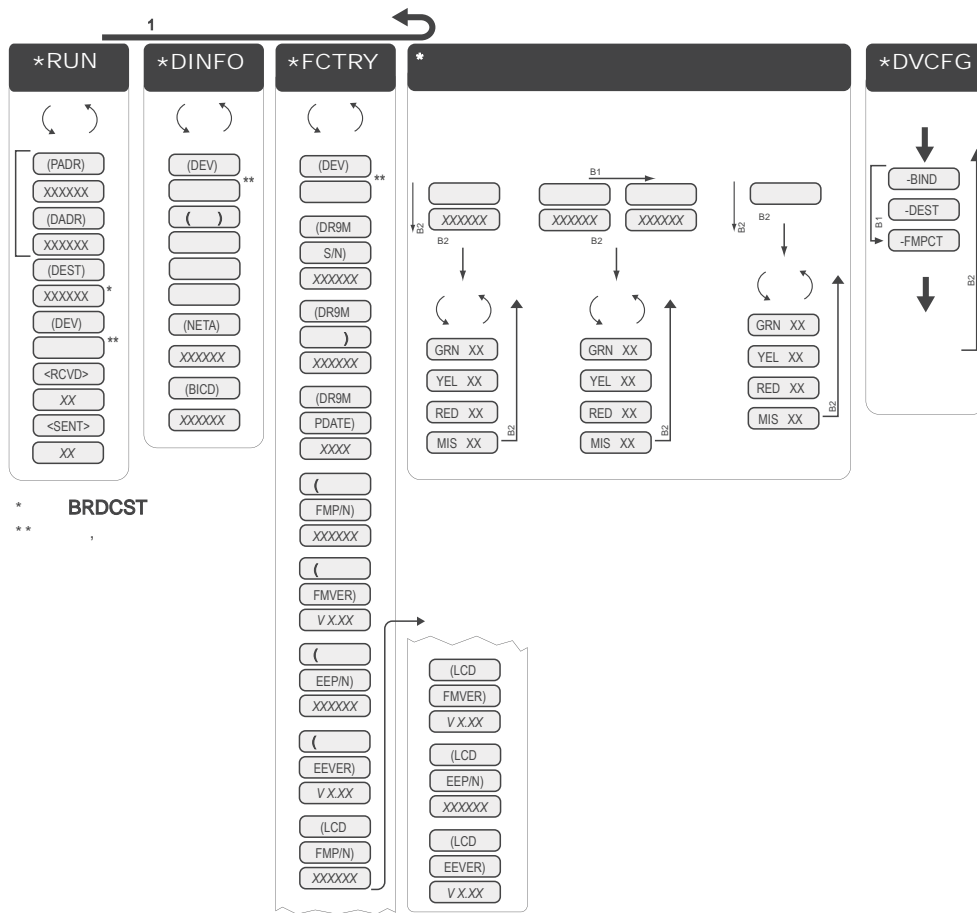
MultiHop



MultiHop 가
*RUN

*RUN

LCD



RUN (() LCD) 1 . 가
2 " " 1 2
(.)

MultiHop

RUN

RUN ID, , , (, ,) /

PADR. - 65535 . PADR 6

DADR. . DADR 6 - 65535

DEST. 가 BRDCST 가 Modbus

RCVD.

SENT.

DINFO()

DINFO

(NAME). 18

(NETA). ()

(BICD). ()

FCTRY()

FCTRY

S/N.

Model #. DX80DR9M

PDate.

Radio FMP/N.

SITE()

YEL, RED MIS / 2 1 GRN,

DVCFG()

2 1

-BIND. 2 2 가 (2) 1
(1) 2

-DEST.

-FMPCT. / 50% 50% (25% 25%)
가

MultiHop ()

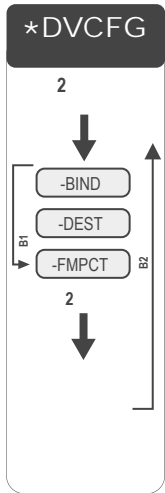
MultiHop

. MultiHop MultiHop 가 가

가

LCD *DVCFG , -BIND

. MultiHop



가

1. 1 *DVCFG
 2. 2 DVCFG
 3. 2
 4. 1
 5. 2
 5. SAVE 가 2
 6. 가 1
 6. 2
 7. 2 DVCFG
1. 가
 2. -BIND 가 DVCFG
 3. 가
 4. 가

Modbus

Modbus / 가

. Modbus /

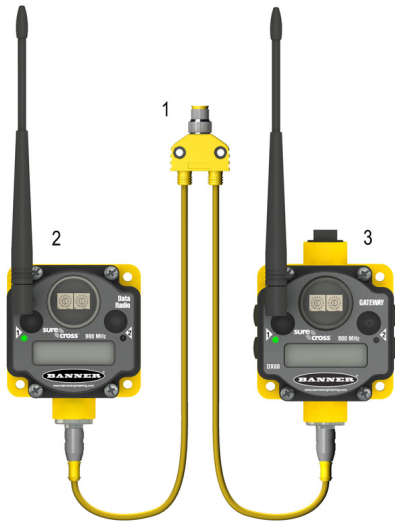
1. 46452 - 46455 0
2. 46451 1
- 가 100
3. 100 가
4. 가 46452 가 46454 가 46453 46455

12 ~ 24V DC

MultiHop

DC +12 - 24V(: +12 ~ 24V dc, ± 10%) MultiHop 4

MultiHop



- 1 CSB-M1240M1241. , 4 QD,
- 2 DX80DR9M-Hx. DC +12 - 24V(: +12 ~ 24V dc, ± 10%)
MultiHop
- 3 DX80 , DC +12 - 24V(: +12 ~ 24V dc, ± 10%)

MultiHop

FlexPower

FlexPower

FlexPower

5



- 1 CSRB-M1250M125.47M125.73. , 5 QD, , 2 FlexPower 가 , 5 QD, , 2 FlexPower 가
- 2 DX80DR9M-Hx. MultiHop
- 3 DX80 FlexPower

gineering . Banner En-
가 . Banner
Banner Engineering Corp. All rights reserved. www.bannerengineering.com . © 2006-2013

: Banner Banner Corporate
: **Banner Engineering Corp.** 9714 Tenth Ave. North, Minneapolis, MN 55441, : 763-544-3164, www.bannerengineer-
ing.com, sensors@bannerengineering.com
: **Banner Engineering Europe** Park Lane, Culliganlaan 2F, Diegem B-1831 BELGIUM, : 32-(0)2 456 07 80, : 32-2
456 07 89, www.bannereurope.com, mail@bannereurope.com
Banner Engineering Turkey Barbaros Mah. UpHill Court Towers A Blok D:49 Batı Atasehir - Istanbul TURKEY, : +90 216 688
8282, : +90 216 688 8181, www.bannerengineering.com.tr
: Banner Engineering Corp.() : mexico@bannerengineer-
ing.com : brasil@bannerengineering.com

:
Banner Engineering China Shanghai Rep Office Xinlian Scientific Research Building, Level 12, Building 2, 1535 Hongmei Road,
Shanghai 200030 CHINA, : 86-21-33986888, : 86-21-33986999, www.bannerengineering.com.cn, sensors@banneren-
gineering.com.cn

Banner Engineering India Pune Head Quarters Office, No. 1001 Sai Capital, Opp. ICC Senapati Bapat Road, Pune 411016 INDIA,
: 91-(0)20-66405624, : 91-(0)20-66405623, www.bannerengineering.co.in, india@bannerengineering.com

Banner Engineering Japan Cent-Urban Building 305 3-23-15, Nishi-Nakajima Yodogawa-Ku, Osaka 532-0011 JAPAN, : 81-
(0)6-6309-0411, : 81-6-6309-0416, www.bannerengineering.co.jp, mail@bannerengineering.co.jp

Banner Engineering Korea 8th Fl., CM Bldg, 32-7, Songpa-Dong Songpa-Gu, Seoul, REPUBLIC OF KOREA 138-849, : +82
(0)2 417 0285 : +82 (0)2 413 0285, www.bannerengineering.co.kr

Banner Engineering Int'l Incorporated Taiwan Rep. Office 8F-2, No. 308, Sec. 1, Neihsu Rd. Taipei, TAIWAN 114 : +886
(0)2 8751 9966, : +886 2 8751 2966, www.bannerengineering.com.tw, info@bannerengineering.com.tw

Banner Engineering Corp

Banner Engineering Corp. 1
Banner Engineering Corp.

Banner

Banner Engineering Corp.
BANNER ENGINEERING CORP.

가

Banner Engineering Corp.

Banner Engineering Corp.
가

D

DIP 8

H

H- 27

I

I/O 15-17, 19

M

M-GAGE 29

M-GAGE 29

M-GAGE 29

M-GAGE 29

M-GAGE 29

Modbus

H- 27

I/O 21-24, 26-29, 31-36

M-GAGE 29

SDI-12 32

23

23

28

36

22

27

28

21, 22

34, 35

가 21

가 21

23

29

26

21

21

22

22

22

22, 27

22

Modbus 4, 5

Modbus ID 4, 5

MultiHop ID 4, 5, 9

MultiHop ID 9

P

PNP NPN 23

S

SDI-12 32