



MODEL MF100

FLANGED END FLOWMETER

DESCRIPTION

The Model MF100 is designed to provide high pressure rating and excellent meter accuracy in an inexpensive package. Model MF100 meters are manufactured to comply with the applicable provisions of the American Water Works Association Standard No. C704-02, and latest revision for propeller type flowmeters. The model MF100 is designed for a maximum continuous working pressure of up to 150 psi and is fitted with AWWA Class D flanges. The impeller and drive assembly are easily accessed through the open end of the meter tube. As with all McCrometer propeller flowmeters, standard features include a magnetically coupled drive, instantaneous flowrate indicator and straight-reading, six-digit totalizer.

Impellers are manufactured of high-impact plastic, capable of retaining their shape and accuracy over the life of the meter. Each impeller is individually calibrated at the factory to accommodate the use of any standard McCrometer register, and since no change gears are necessary, the MF100 can be field-serviced without the need for factory recalibration. Factory lubricated stainless steel bearings are used to support

the impeller shaft. The sealed bearing design limits the entry of materials and fluids into the bearing chamber providing maximum bearing protection.

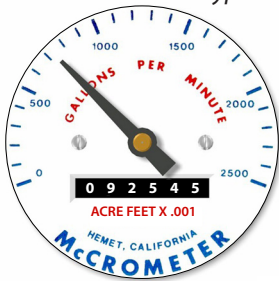
An instantaneous flowrate indicator is standard and available in gallons per minute, cubic feet per second, liters per second and other units. The register is driven by a flexible steel cable encased within a protective vinyl liner. The register housing protects both the register and cable drive system from moisture while allowing clear reading of the flowrate indicator and totalizer.

INSTALLATION

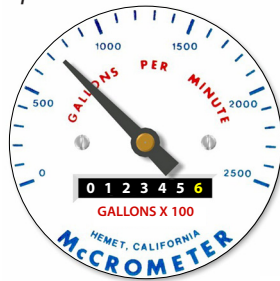
Standard installation is horizontal mount. If the meter is to be mounted in the vertical position, please advise the factory. A straight run of full pipe the length of ten pipe diameters upstream and two diameters downstream of the meter is recommended for meters without straightening vanes. Meters with optional straightening vanes require at least five pipe diameters upstream and two diameters downstream of the meter.

The Mc Propeller flow meter comes with a standard instantaneous flowrate indicator and straight-reading totalizer. An optional FlowCom register is also available.

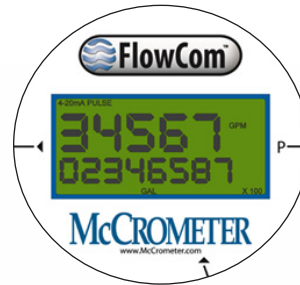
Typical face plates.



Standard register



Optional 7-wheel totalizer



FlowCom register



APPLICATIONS

- Center pivot systems
- Sprinkler irrigation systems
- Drip irrigation systems
- Golf course and park water management
- Commercial nurseries
- Water and wastewater management



3255 WEST STETSON AVENUE • HEMET, CALIFORNIA 92545 USA

TEL: 951-652-6811 • 800-220-2279 • FAX: 951-652-3078 Printed In The U.S.A. Lit. # 24517-10 Rev. 1.9 / 2-23-18

Copyright © 2001-2017 McCrometer, Inc. All printed material should not be changed or altered without permission of McCrometer. Any published pricing, technical data, and instructions are subject to change without notice. Contact your McCrometer representative for current pricing, technical data, and instructions.



MODEL MF100

FLANGED END FLOWMETER

PERFORMANCE

ACCURACY/REPEATABILITY: ±2% of reading guaranteed throughout full range. ±1% over reduced range. Repeatability 0.25% or better.

MAXIMUM TEMPERATURE: (Standard Construction) 160°F constant.

PRESSURE RATING: 150 psi

MATERIALS

BEARING ASSEMBLY: Impeller shaft is 316 stainless steel. Ball bearings are 440C stainless steel.

MAGNETS: (Permanent type) Alnico

BEARING HOUSING:

- For models 2" to 16": 304 stainless steel standard, 316 stainless steel optional
For models 18" and larger: Brass standard, 316 stainless steel optional

REGISTER: An instantaneous flowrate indicator and six-digit straight-reading totalizer are standard. The register is hermetically sealed within a die cast aluminum case. This protective housing includes a domed acrylic lens and hinged lens cover with locking hasp.

IMPELLER: Impellers are manufactured of high-impact plastic, retaining their shape and accuracy over the life of the meter. High temperature impeller is optional.

FLOW TUBE: Fusion-bonded epoxy-coated carbon steel.

OPTIONS

- Forward/reverse flow measurement
Register extensions
All stainless steel construction
High temperature construction
"Over Run" bearing assembly for higher than normal flowrates
A complete line of flow recording/control instrumentation
Flow straightening vanes
Certified calibration test results
Canopy boot

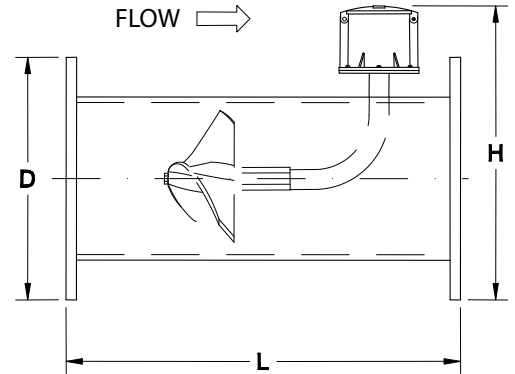
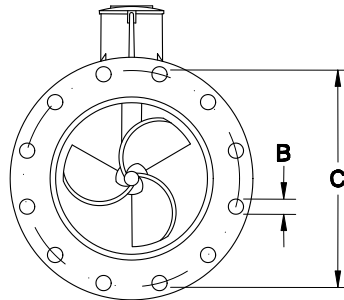


Table with 9 columns: MF100, DIMENSIONS, and pipe sizes (2, 2 1/2, 3, 4, 6, 8, 10, 12). Rows include flow rates, head loss, shipping weight, and dimensions B, C, D, H, L, and bolts.

Large flowmeters available on special order.

McCrometer reserves the right to change design or specifications without notice.



3255 WEST STETSON AVENUE • HEMET, CALIFORNIA 92545 USA

TEL: 951-652-6811 • 800-220-2279 • FAX: 951-652-3078 Printed In The U.S.A. Lit. # 24517-10 Rev. 1.9 / 2-23-18

Copyright © 2001-2017 McCrometer, Inc. All printed material should not be changed or altered without permission of McCrometer. Any published pricing, technical data, and instructions are subject to change without notice. Contact your McCrometer representative for current pricing, technical data, and instructions.