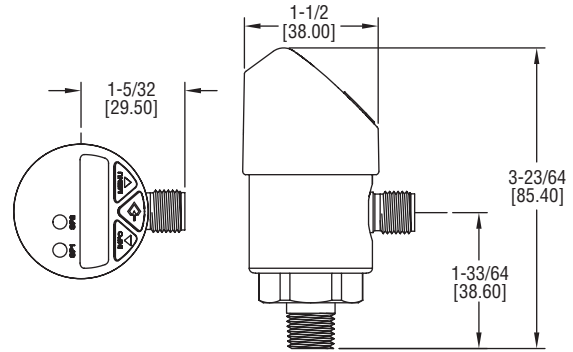


# DIGITAL PRESSURE TRANSMITTER WITH SWITCHES

Two Solid State Switches, LED Display



Scan here to watch product video

The **SERIES DPT** Digital Pressure Transmitter with Switches combines a large, 14-segment LED display with two programmable solid state switches into one compact unit. A unique, 3-way rotating design allows the DPT to meet specific installation requirements without any retrofitting. The display and electrical connection can be rotated independently to maximize visibility while still orienting the electrical connection in the best position for the cable connector. Large, ergonomically designed push buttons allow for quick/easy programming and thin-film piezoresistive sensor technology guarantees long-term reliability and stability.

**FEATURES/BENEFITS**

- Compact size, lightweight, and high accuracy supports multiple installation methods to support application need and footprint
- Rotating display and electrical connection to maximize visibility while orienting the electrical connection in the best position for the cable connector

**APPLICATIONS**

- Calibration
- Hydraulics and pneumatics
- Machine tools
- Compressors and pumps
- Machine building

**SPECIFICATIONS**

**Service:** Compatible gases, liquids or vapors.  
**Wetted Materials:** Pressure connection: 316 L SS; Pressure sensor: 316 L SS (13-8 PH for ranges above 150 psi).  
**Housing:** 316 L lower body, heat and chemical resistant fiberglass reinforced plastic (PBT) plastic head, TPE-E keyboard, PC display window.  
**Accuracy:** 1.0% FS (includes non-linearity, hysteresis, zero point).  
**Pressure Limit:** See table.  
**Temperature Limits:** 32 to 176°F (0 to 80°C).  
**Process Connections:** 1/4" male NPT.  
**Display:** Red LED 4-digit (0.35" H digits).  
**Weight:** 7 oz (0.2 kg).

**SWITCH SPECIFICATIONS**

**Switch Type:** PNP.  
**Electrical Rating:** 250 mA.  
**Electrical Connections:** M 12x1, 5-pin.  
**Mounting Orientation:** Mount in any position.

**TRANSMITTER SPECIFICATIONS**

**Temperature Limits:** 32 to 176°F (0 to 80°C).  
**Thermal Effect:** 0.2% FS / 10k.  
**Power Requirements:** 15 to 35 VDC.  
**Output Signal:** DPT-A: 4 to 20 mA; DPT-V: 0 to 10 VDC.  
**Loop Resistance:** DPT-A: ≤ 0.5k; DPT-V: > 10k.  
**Power Consumption:** ≤ 100 mA.  
**Electrical Connections:** M 12x1, 5-pin.  
**Enclosure Rating:** IP67.  
**Agency Approvals:** CE.

**MODEL CHART**

0 to 10 VDC Model	4 to 20 mA Model	Range (psig)	Maximum Pressure (psig)	Burst Pressure (psig)	Pressure Ranges			
					bar	MPa	kPa	kg/cm <sup>2</sup>
DPT-V00	DPT-A00	-14.5 to 0	30	75	1.034	.1034	103.4	1.055
DPT-V01	DPT-A01	0 to 15	30	75	1.034	.1034	103.4	1.055
DPT-V02	DPT-A02	0 to 25	60	150	1.724	.1724	172.4	1.758
DPT-V03	DPT-A03	0 to 30	60	150	2.068	.2068	206.8	2.109
DPT-V04	DPT-A04	0 to 50	100	250	3.447	.3447	344.7	3.515
DPT-V05	DPT-A05	0 to 100	200	500	6.895	.6895	689.5	7.031
DPT-V06	DPT-A06	0 to 160	290	500	11.03	1.103	1103	11.25
DPT-V07	DPT-A07	0 to 200	400	1500	13.79	1.378	1378	14.06
DPT-V08	DPT-A08	0 to 300	600	1500	20.68	2.068	2068	21.09
DPT-V09	DPT-A09	0 to 500	1000	2500	34.47	3.447	3447	35.15
DPT-V10	DPT-A10	0 to 1000	1740	7975	68.95	6.895	6895	70.31

**OPTION**

Use order code:	Description
NISTCAL-PT1	NIST traceable calibration certificate

**ACCESSORY**

Model	Description
A-195	6' (2 m) shielded cable with 5 pin female M-12 connections

Single Pressure Gages/Switches/  
Transmitters, Digital