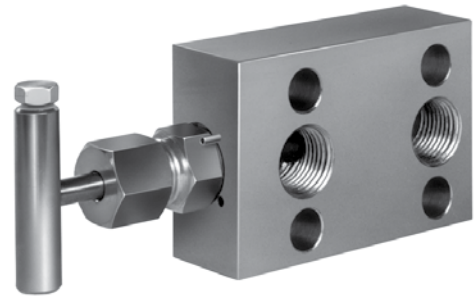


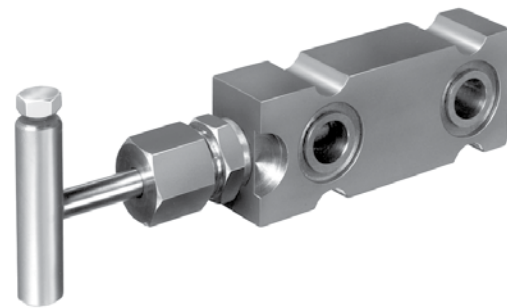
Hex equalizing manifolds provide an easy method to zero transmitters. 1/2" FNPT connections allow pipe or tube nut connections.

The HE40 allows for a horizontal handle orientation with 1/2" FNPT or tube nut connections.

The HE44 has a streamlined body to mount between the transmitter and the futbol flanges that are normally supplied with the transmitter. It features a backseated, inside rising stem with your choice of needle or non-rotating tip. The smaller body and use of transmitter futbol flanges make this a very economical selection.

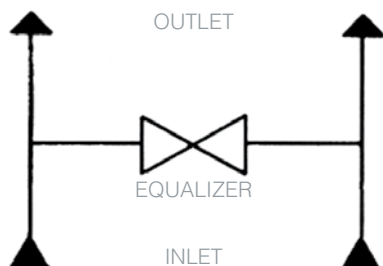


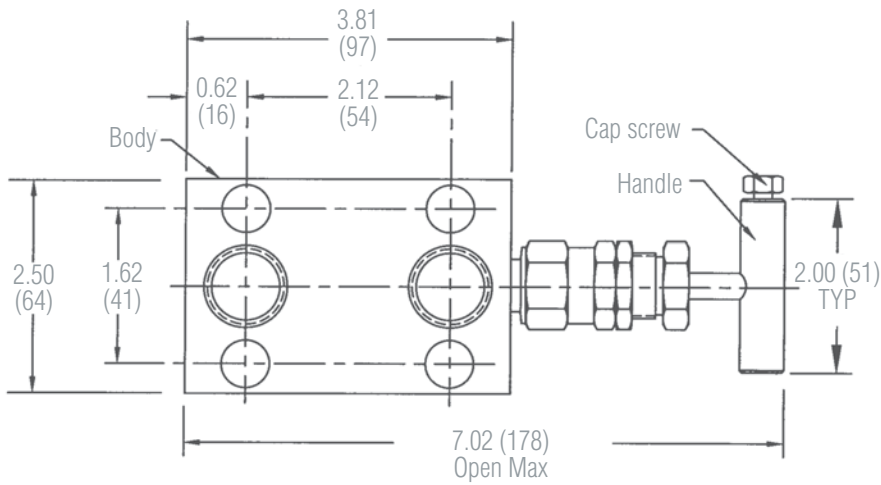
HE40 Series



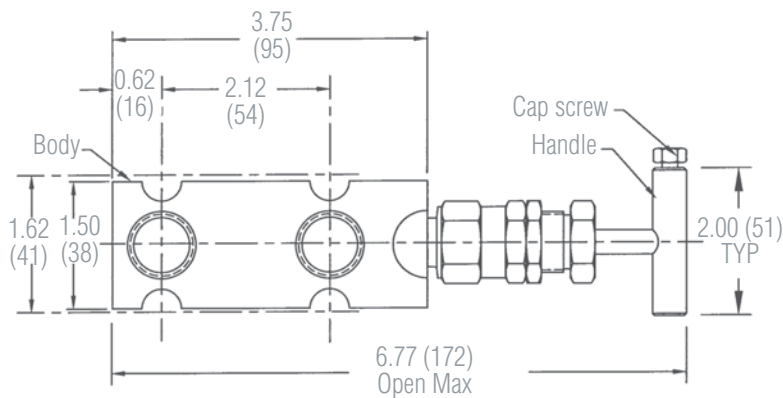
HE44 Series

Flow Schematic



Dimensions - HE40 Series


Body thickness: 1.25"
 Orifice size: 0.19"
 Weight: 3.25 lbs (1,5 kgs)

Dimensions - HE44 Series


Body thickness: 1.25"
 Orifice size: 0.19"
 Weight: 0.5 lbs (0,23 kgs)

How to Order

Model Number	Seat/ Body Configuration	Body Material	Inlet Size	Inlet Type	Outlet Size/Type	Stem/Tip	Seat Material	Packing
HE40	1 = Hard	S = CS	3 = 1/2" (HE40)	3 = FNPT (HE40)	99 = Flange	2 = 316SS Needle/Plug	1 = Integral	1 = Braided/Grafoil
HE44		U = SS	9 = Flanged HE44)	9 = Flanged (HE44)		4 = 316/316SS NRT		2 = TFE - Chevron
								3 = Graphite/Grafoil/Graphite

Sample Ordering Schematic
How to Order

HE40	1	U	3	3	99	2	1	2
HE44	1	U	9	9 = Flanged	99	2	1	2